

FEATURED MODEL

440278 10-1/2" bowl depth

ADDITIONAL MODELS

440274 8" bowl depth
440276 12" bowl depth

FEATURES

- 18 gauge, 304 series stainless steel
- 18/8 chrome/nickel content
- Long-lasting, easy-to-clean, satin finish
- 4 diagonal drain grooves channel water directly to center drain
- Straight bowl sides with 1-1/2" cutout corner radius

OPTIONAL ACCESSORIES

Sink Grid: 220997
Colander: 440492

WARRANTY

Blanco America's BLANCOMAGNUM™ Series sinks feature a LIMITED LIFETIME WARRANTY to be free of all manufacturing defects under normal use. See our complete warranty for details.

While Blanco America endeavors to provide accurate information, all dimensions are nominal, cannot be guaranteed, and are subject to change or cancellation. Blanco America assumes no responsibility for use of superseded or voided specifications.

PRODUCT SPECIFICATION

Drop-In sink to be specialty single bowl design, 33" in length and 22" in front-to-back depth. Sink to be made from 18 gauge, 304 series stainless steel, with 18/8 chrome/nickel content and satin finish. Sink to feature center drain placement, 4 diagonal drain grooves and straight bowl sides with 1-1/2" cutout corner radius. Sink to be Blanco Model 440278, with bowl depth of 10-1/2".
Additional knockout hole locations: _____
_____.

JOB INFORMATION

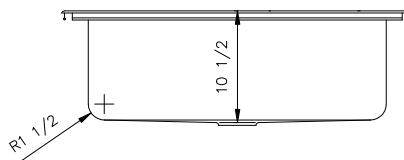
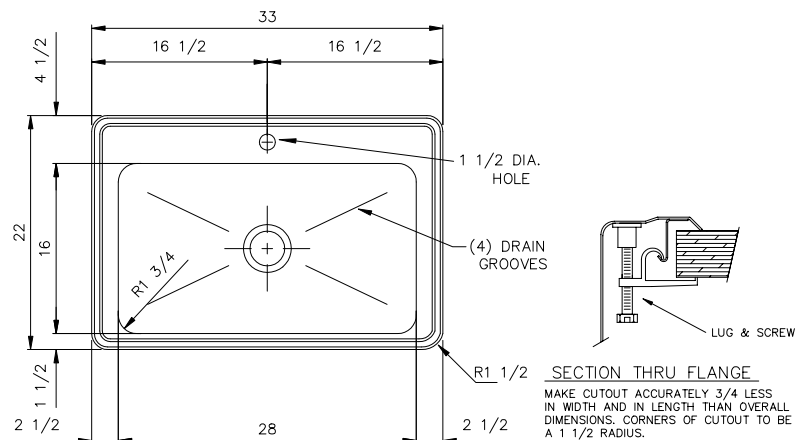
Job Name: _____
Contact: _____
Date Specified: _____
Specifier: _____
Contractor: _____



NOMINAL DIMENSIONS

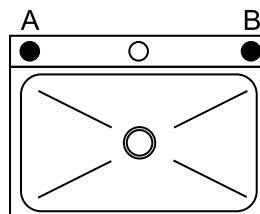
MODEL	OVERALL	CUTOUT SIZE	BOWL DEPTH	DRAIN DIAMETER
440278	33 x 22	32-1/4 x 21-1/4	10-1/2	3-1/2

DXF cutout templates available on our web site or this specification CD.



KNOCKOUT HOLE LOCATIONS

Pre-drilled for three faucet holes.



BLANCO AMERICA
800.451.5782
www.blancoamerica.com