



## Specification Sheets for Ravenna vanities by Strasser Woodenworks.

### SPECIFICATION VARIANCES

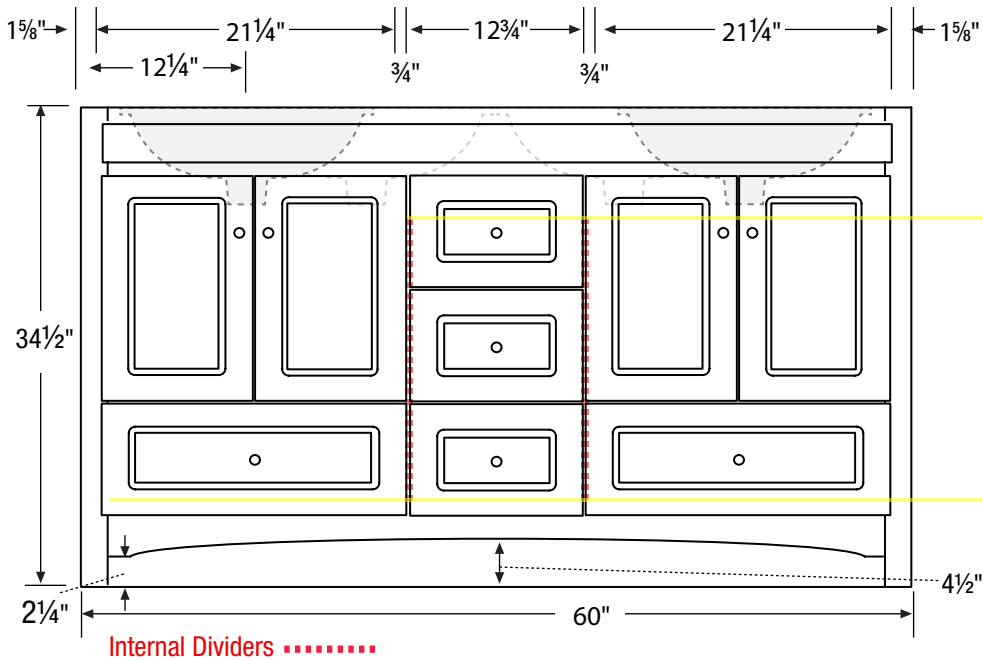
Dimensions on finished vanities may vary slightly from those shown on these specification sheets due to variability in construction materials.

Our products are engineered to maintain close dimensional tolerances but variability in manufacturing materials can change dimensions slightly (normally within  $\pm 1/8$ " but occasionally up to  $\pm 3/16$ ").

In most applications these slight variations will have no impact upon installation, appearance, or function. However, when planning and finishing a space for a built in vanity, **do not frame or finish the space before measuring the actual cabinet!**

We can not be responsible for any expenses incurred as a result of the end user or contractor not following this guideline.

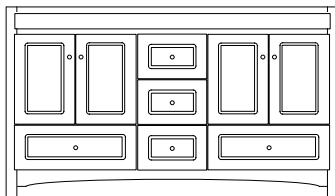




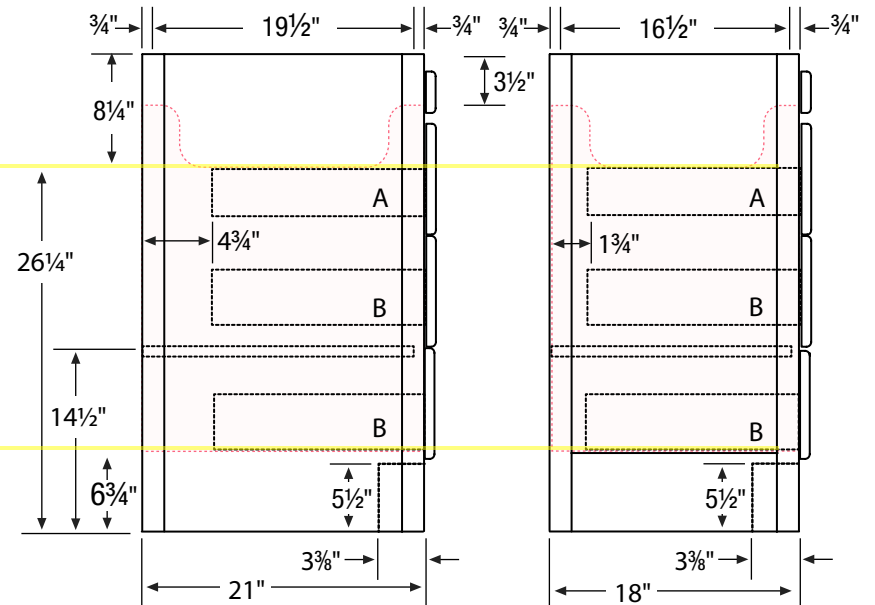
Basin placement range varies with brand and model. Shown is for Kohler 2210.

## 60" Vanity, Double Basin

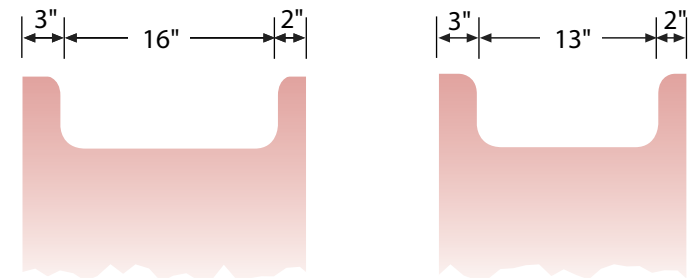
60" wide  
34 1/2" tall  
21" or 18" front-to-back



Drawers:  
16" Deep  
A 3 3/4" High  
B 4 3/4" High

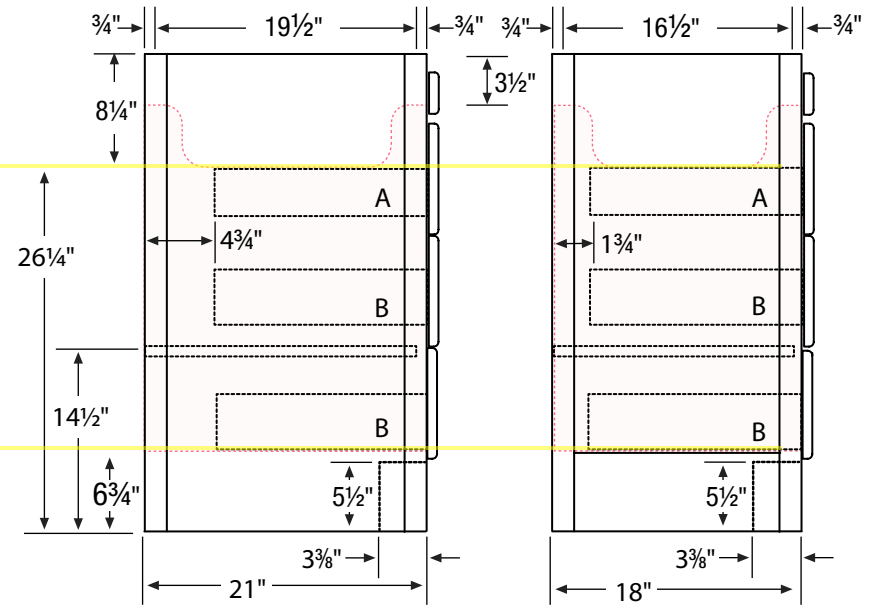
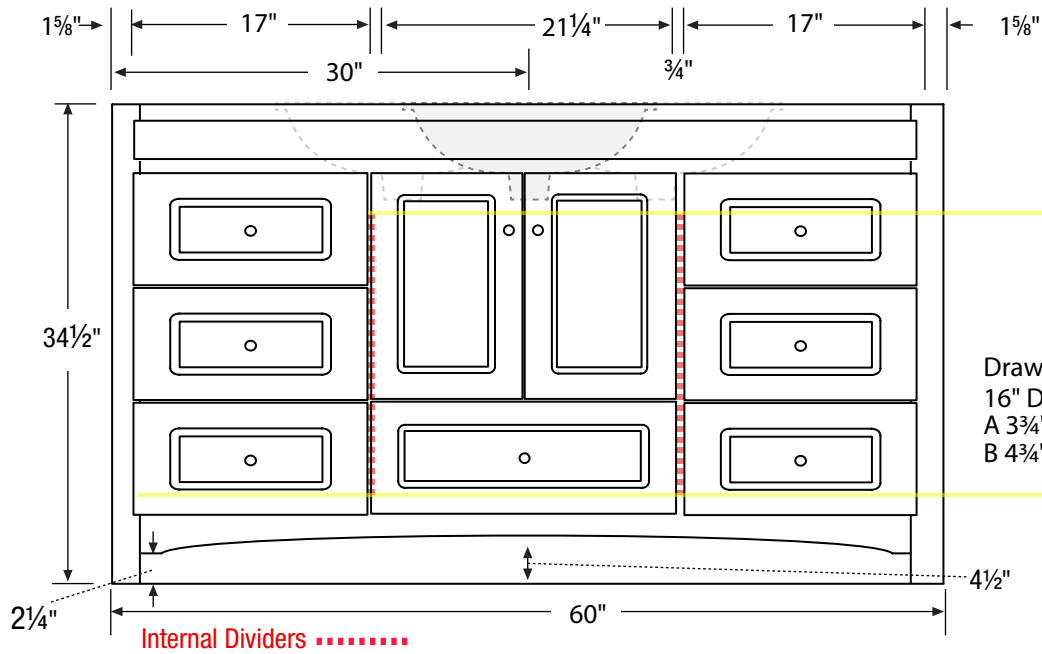


21" Deep or 18" Deep option.



Internal Dividers



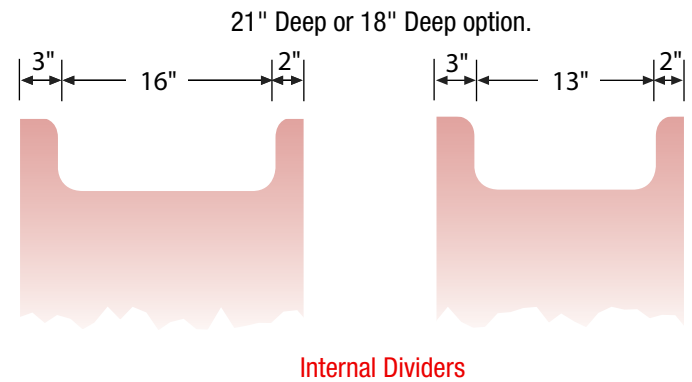
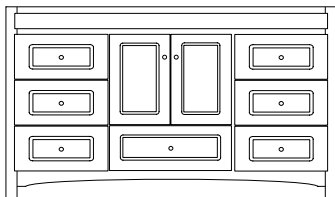


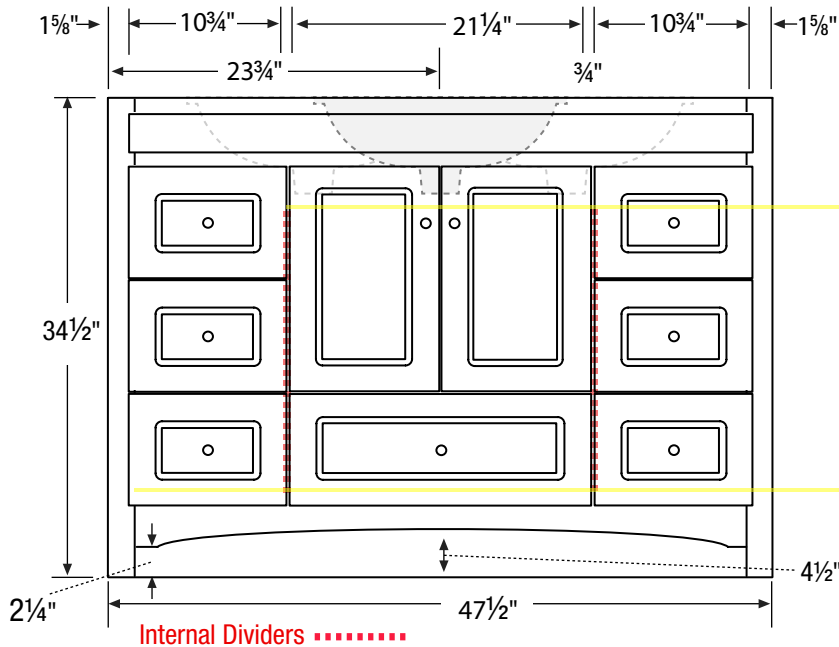
Drawers:  
16" Deep  
A 3 3/4" High  
B 4 3/4" High

Basin placement range varies with brand and model. Shown is for Kohler 2210.

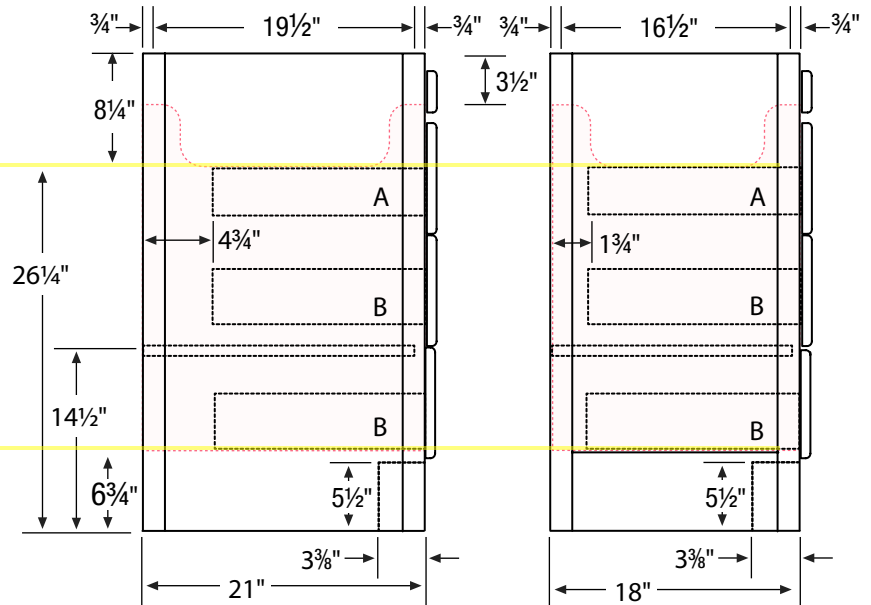
## 60" Vanity, Center Basin

60" wide  
34 1/2" tall  
21" or 18" front-to-back





Drawers:  
16" Deep  
A 3 3/4" High  
B 4 3/4" High

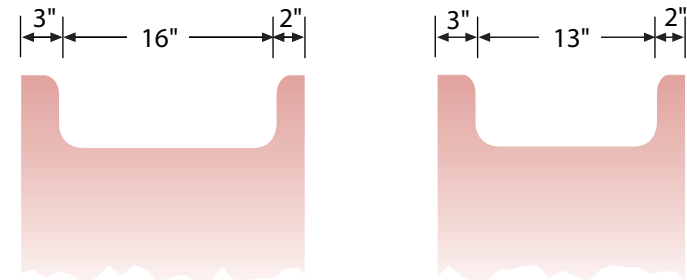
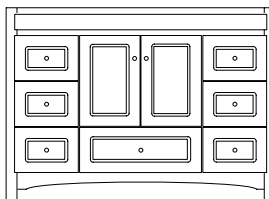


21" Deep or 18" Deep option.

### 48" Vanity

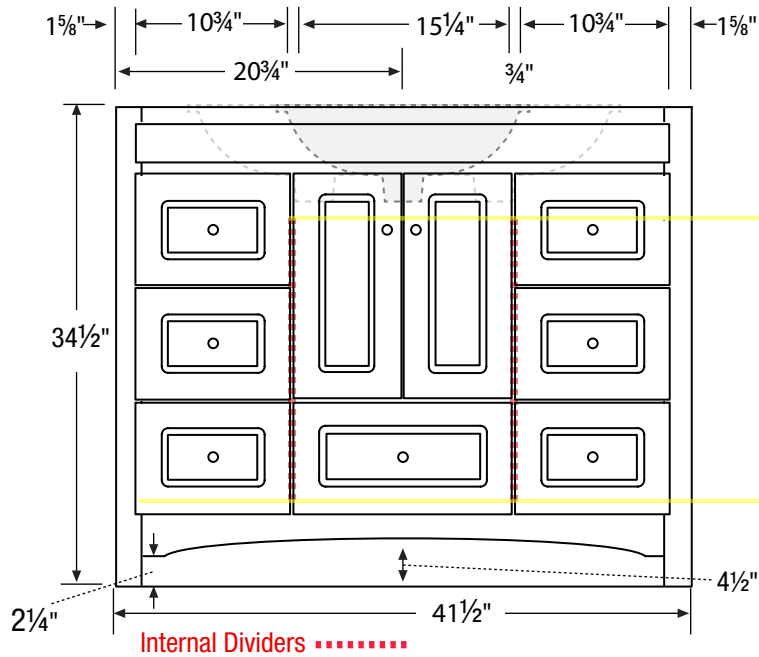
(47 1/2" Actual)

47 1/2" wide  
34 1/2" tall  
21" or 18" front-to-back

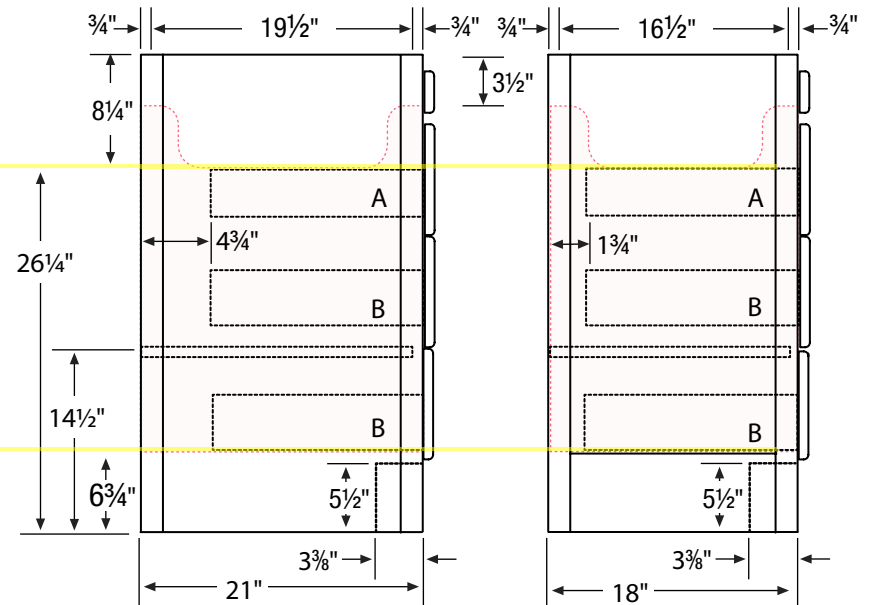


Internal Dividers





Drawers:  
 16" Deep  
 A 3 3/4" High  
 B 4 3/4" High



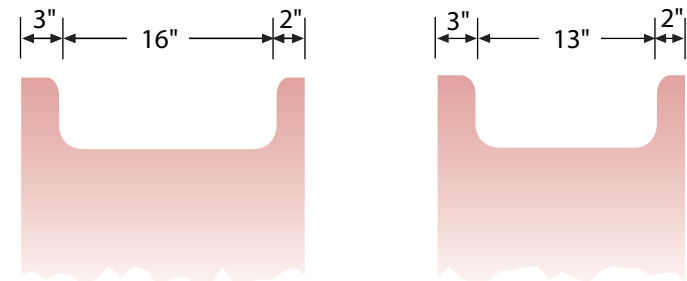
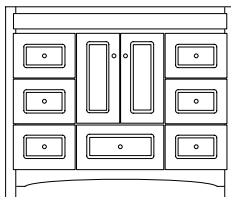
21" Deep or 18" Deep option.

Basin placement range varies with brand and model. Shown is for Kohler 2210.

### 42" Vanity

(41 1/2" Actual)

41 1/2" wide  
 34 1/2" tall  
 21" or 18" front-to-back

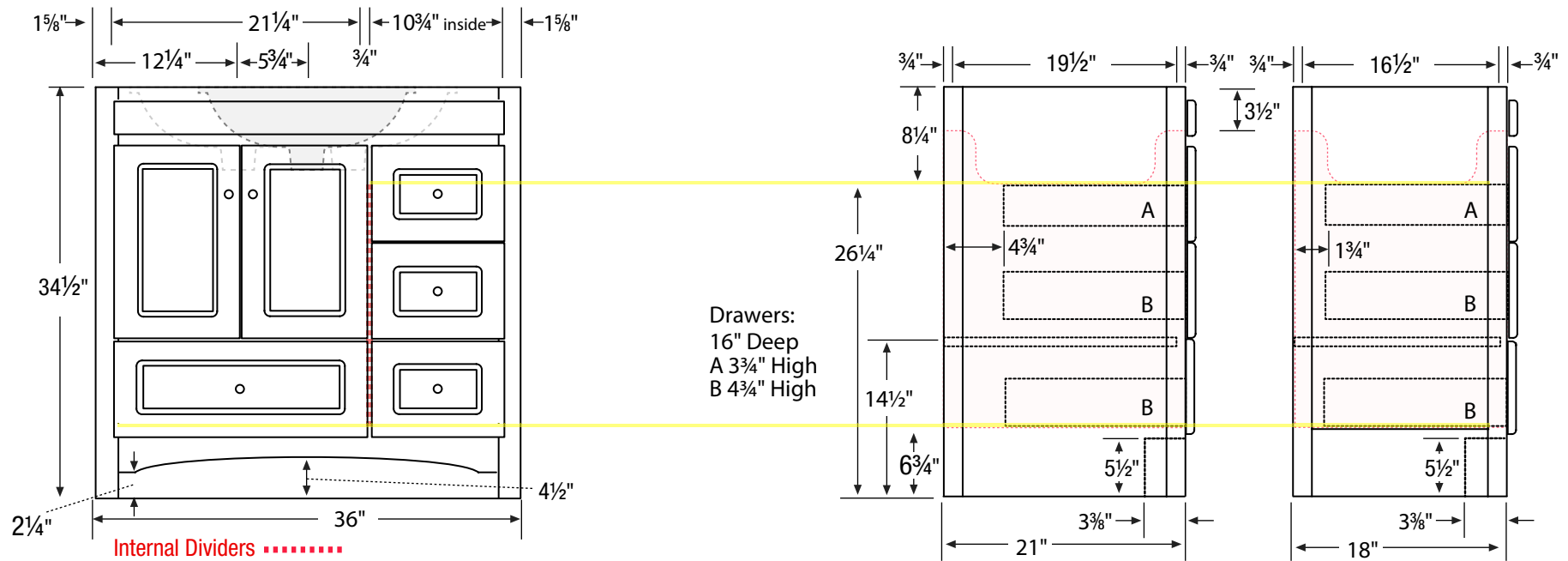


Internal Dividers





## 36" Ravenna vanity with right hand or left hand drawers

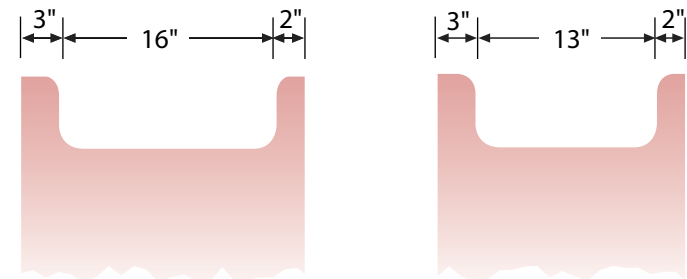
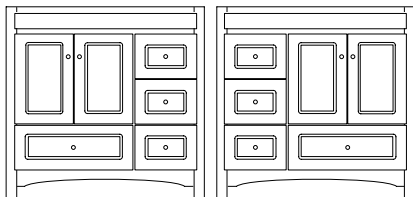


Basin placement range varies with brand and model. Shown is for Kohler 2210.

### 36" Vanity

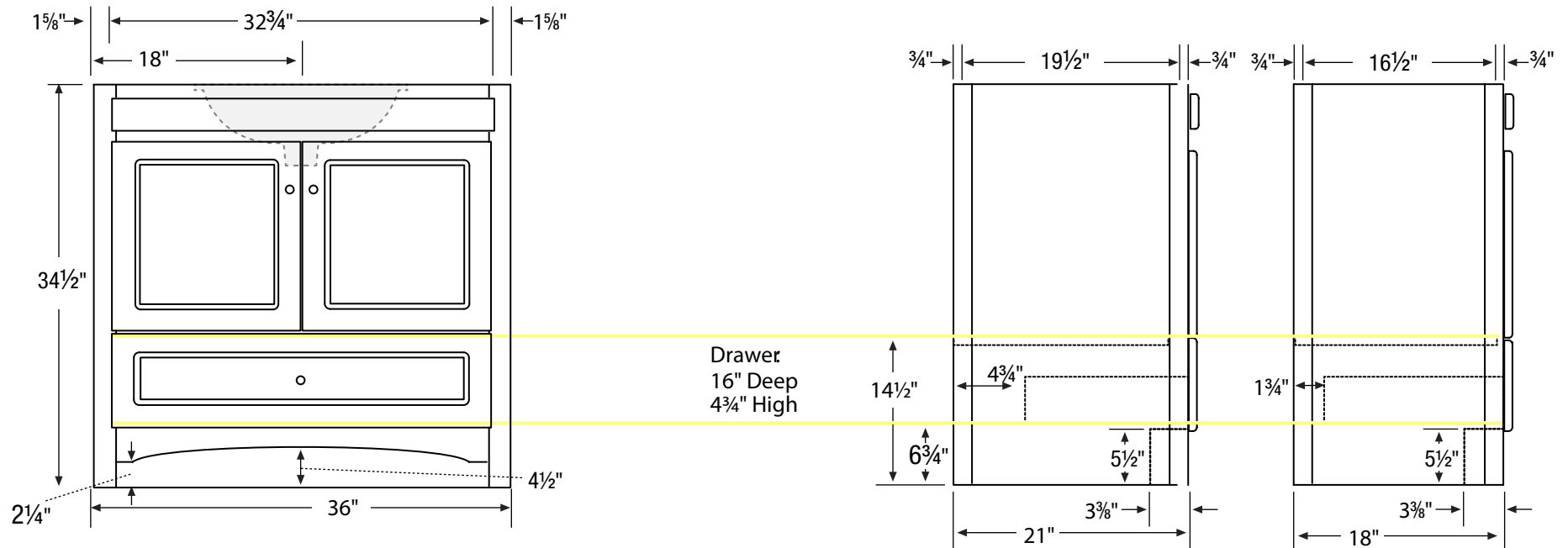
Right Hand or Left Hand Drawers

36" wide  
34 1/2" tall  
21" or 18" front-to-back



Internal Dividers





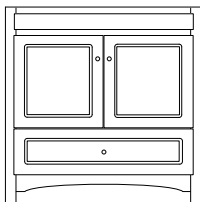
Basin placement range varies with brand and model. Shown is for Kohler 2210.

21" Deep or 18" Deep option.

### 36" Vanity

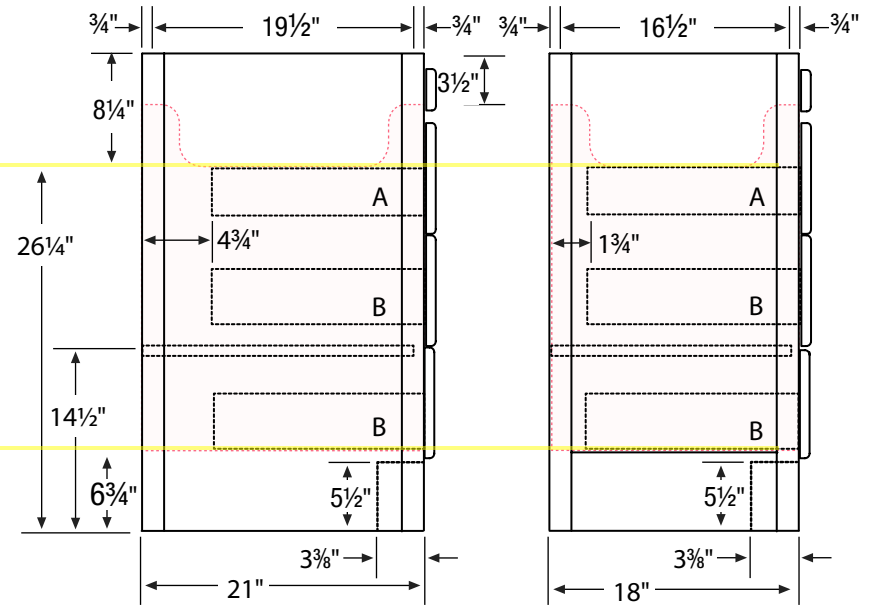
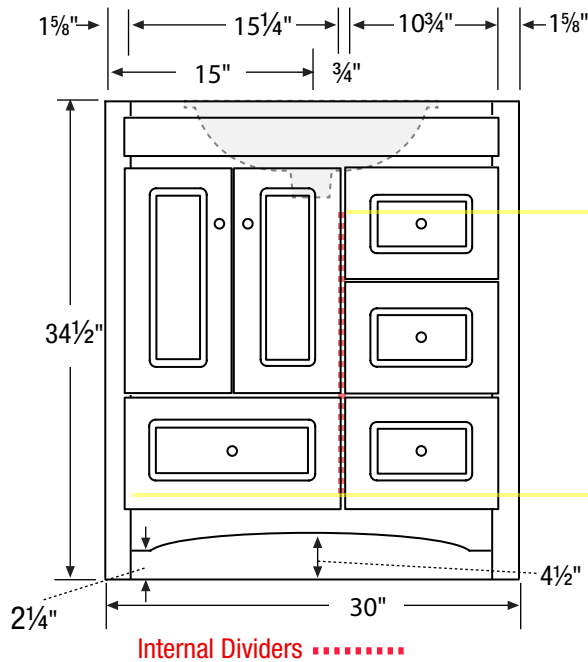
No Side Drawers

36" wide  
34½" tall  
21" or 18" front-to-back

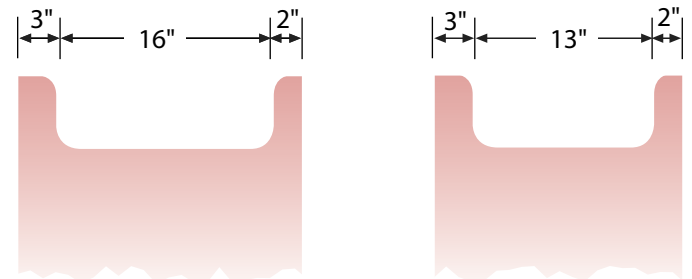




## 30" Ravenna vanity with right hand or left hand drawers



21" Deep or 18" Deep option.



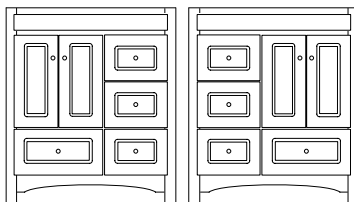
Internal Dividers

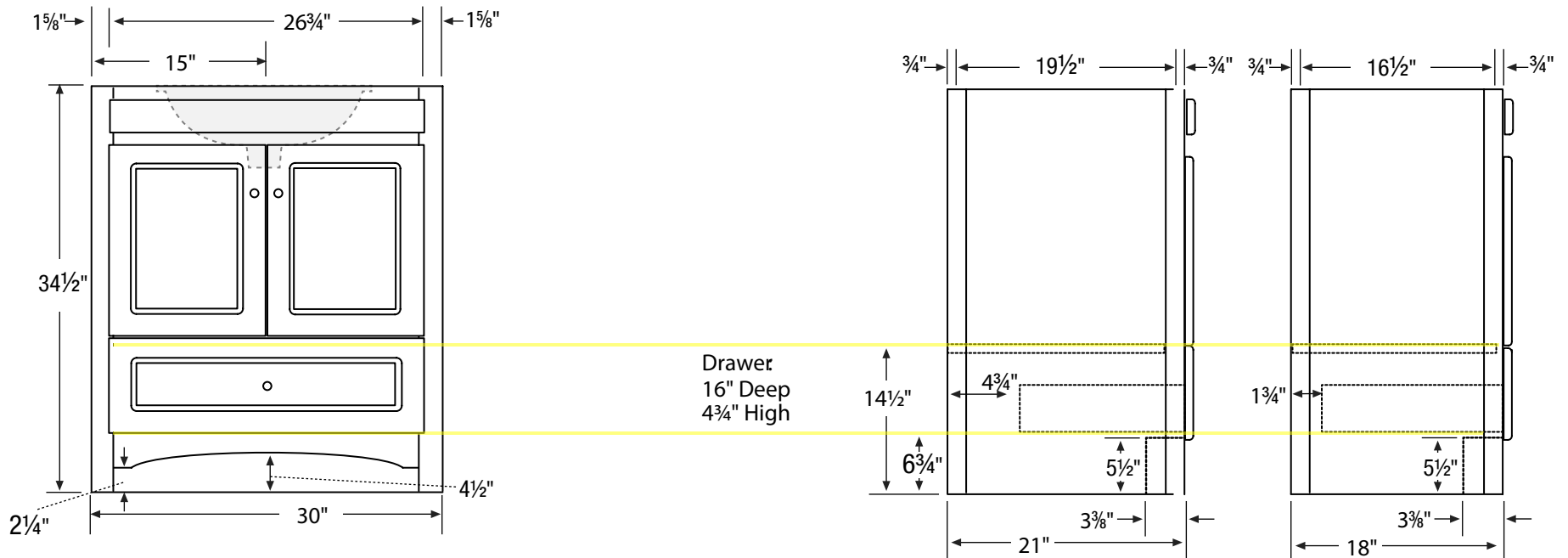
Basin placement range varies with brand and model. Shown is for Kohler 2210.  
Offset basin placement not recommended for 30" wide vanities.

### 30" Vanity

Right Hand or Left Hand Drawers

30" wide  
34 1/2" tall  
21" or 18" front-to-back





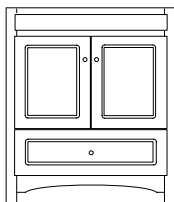
Basin placement range varies with brand and model. Shown is for Kohler 2210.  
 Offset basin placement not recommended for 30" wide vanities.

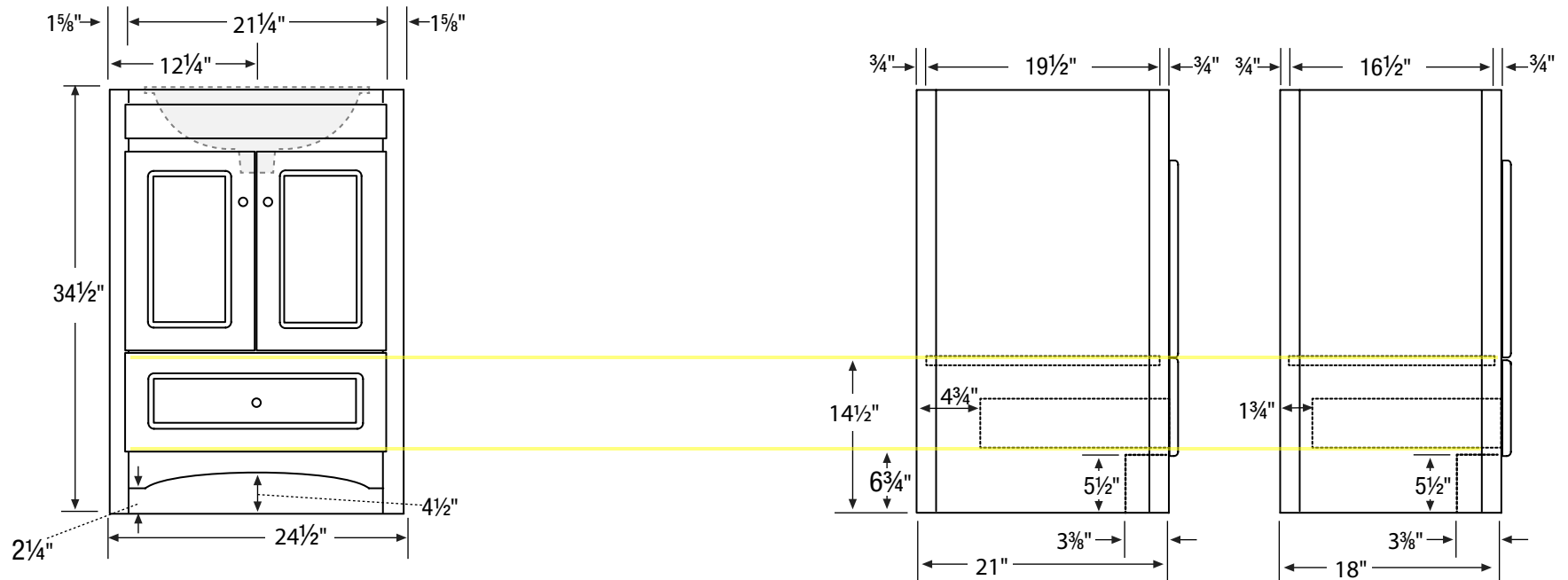
21" Deep or 18" Deep option.

### 30" Vanity

No Side Drawers

30" wide  
 34 1/2" tall  
 21" or 18" front-to-back





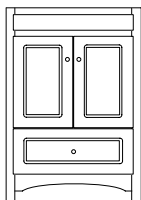
Basin placement range varies with brand and model. Shown is for Kohler 2210.

21" Deep or 18" Deep option.

### 24" Vanity

(24 1/2" Actual)

24 1/2" wide  
32" or 34 1/2" tall  
21" or 18" front-to-back

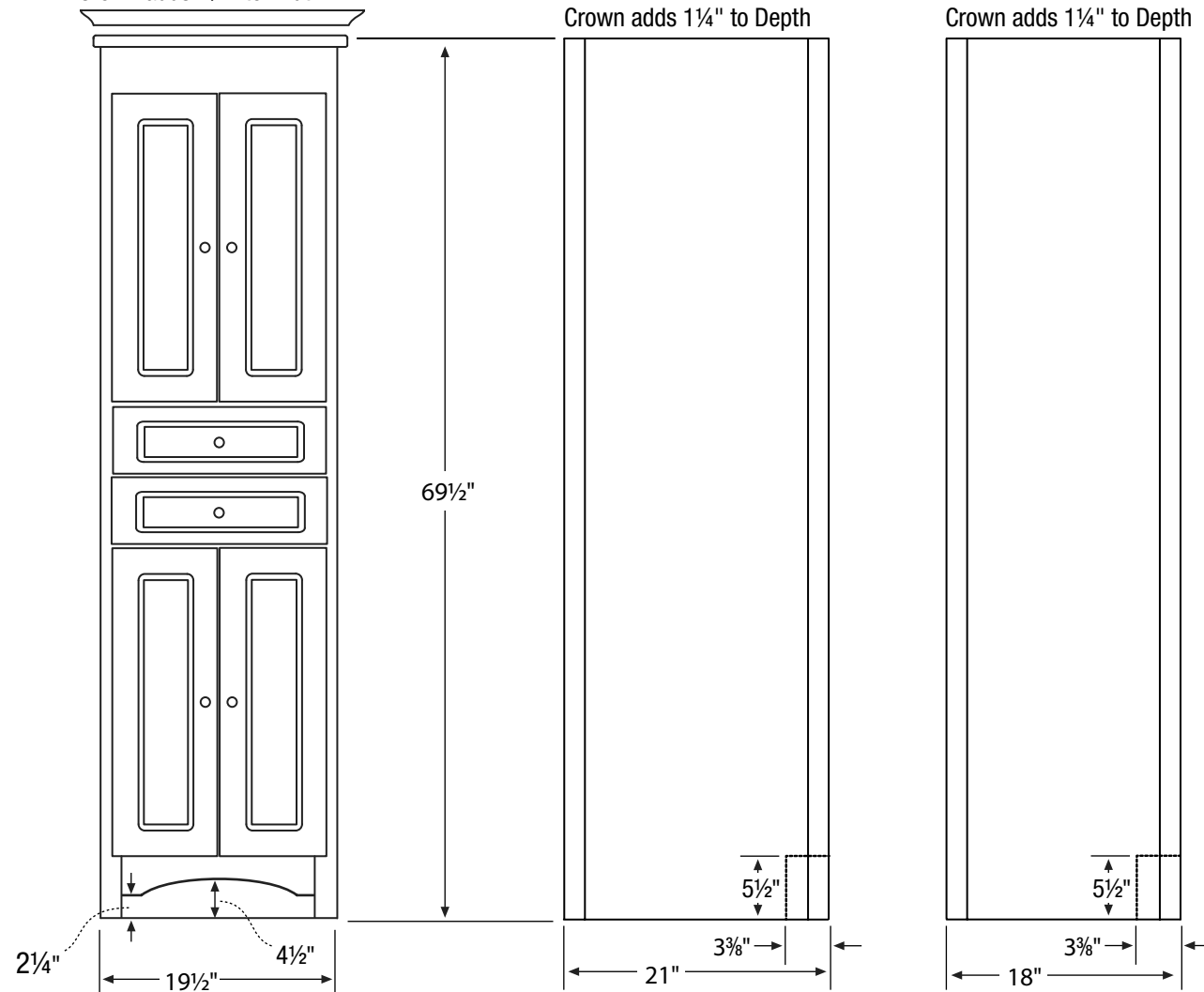




Crown adds 2½" to Width

Crown adds 1¼" to Depth

Crown adds 1¼" to Depth



## 19½" Linen

19½" wide (optional crown adds 2")  
69" tall  
21" or 18" front-to-back

21" Deep or 18" Deep option.

