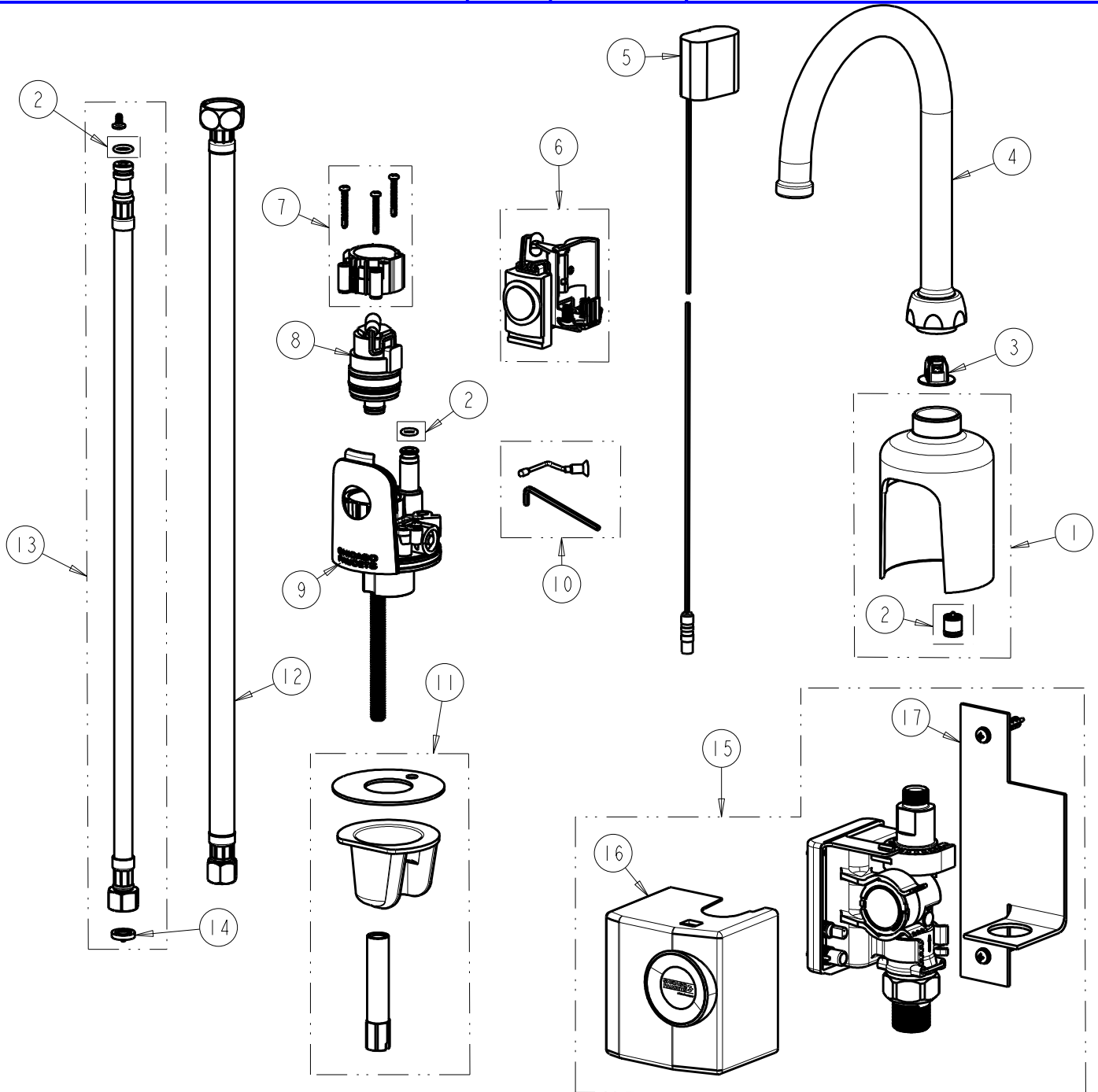


FOR TECHNICAL ASSISTANCE
1-800-TEC-TRUE (1-800-832-8783)

BY: JAR DATE: 02-24-12
CHK: [Signature] REV:

ITEM NO.



ITEM	PART NO.	DESCRIPTION	ITEM	PART NO.	DESCRIPTION
1	240.738.00.1	KIT, GOOSENECK BASE	10	240.753.00.1	SHUT-OFF SCREW ASSEMBLY
2	241.653.00.1	KIT, CHECK VALVES & O-RINGS	11	240.745.00.1	KIT, DECK MOUNTING HARDWARE
3	1020-034KJKNF	FLOW CONTROL 1.0 GPM	12	----	HOSE, 1/2" IPS x 3/8" COM x 18" L
4	GN2H8JKCP	SPOUT, PLAIN END	13	240.693.00.1	KIT, SS BRAIDED HOSE (QTY 1)
5	242.568.00.1	GREEN POWER ADAPTER	14	3300-005JKNF	FILTER/SCREEN
6	242.574.00.1	KIT, MODULE TURBINE HYTRONIC	15	242.749.00.1	GENERATOR, COMPLETE UNIT
7	242.432.00.1	KIT, AB BONNET	16	242.750.00.1	COVER, SSPS US
8	240.744.00.1	SOLENOID VALVE	17	242.751.00.1	KIT, WALL MOUNTING SSPS US
9	----	BODY, NOT SOLD SEPARATELY			