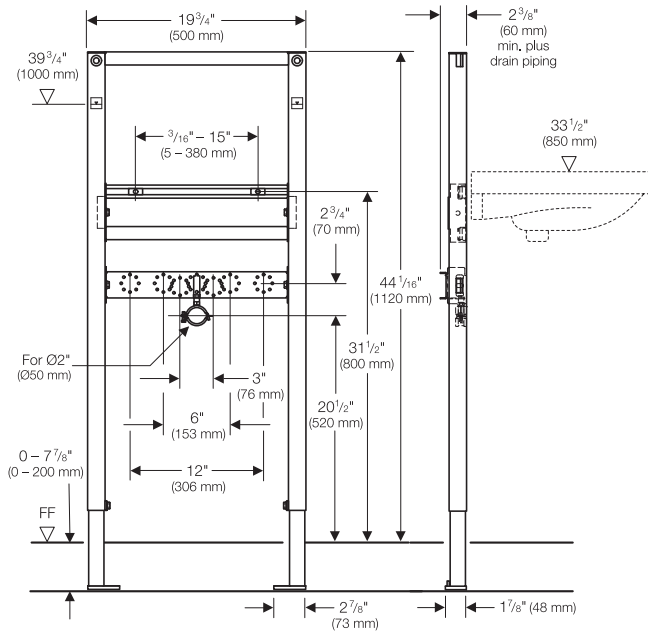


Concealed Carrier System for Wall-Hung Sinks (Washbasins)

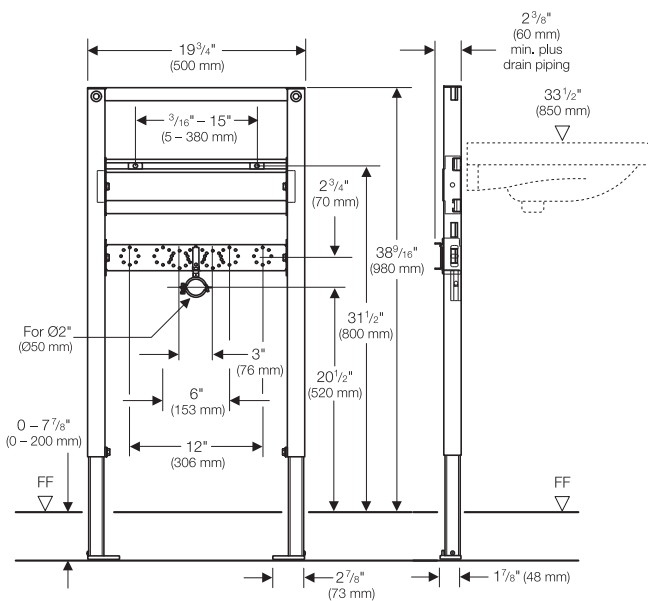


Model 111.434.00.1 and 111.490.00.1

Model
111.434.00.1



Model
111.490.00.1



Product Specifications

Concealed carrier system for residential 2-hole wall-hung sinks. System shall fit within 5 1/2" (140 mm) framing wall or plumbing chase. Framing members should provide support similar to 2" x 6" (51 mm x 152 mm) wood construction or steel framing members placed 19 3/4" (500 mm) apart. The carrier frame shall be adjustable for fixture heights from 31 1/2" (800 mm) to 39 1/2" (1000 mm) and for mounting anchors from 2" (50 mm) to 15" (380 mm). All components shall be compliant with applicable codes and product standards.

Warranty

Limited lifetime warranty on carrier.

Features

- 16-gauge, powder-coated, structural-steel tubing rated to 330 lbs (150 kg) without damage to finished wall or carrier unit.
- Fixture rim height adjustments from 31 1/2" (800 mm) to 39 1/2" (1000 mm).
- Frame height:
111.434.00.1 = 44 1/16" (1120 mm)
111.490.00.1 = 38 9/16" (979 mm)
- Installation hardware included.

ARCHITECT/ENGINEER APPROVAL

Job Name	_____
Date	_____
Quantity	_____
Model Specified	_____
Variations Specified	_____
Customer/Wholesaler	_____
Contractor	_____
Architect	_____

Product specifications subject to change without notice.



Geberit
2100 S. Clearwater Drive
Des Plaines, IL 60018

800/566-2100
Fax 847/803-5454
www.geberit.us