




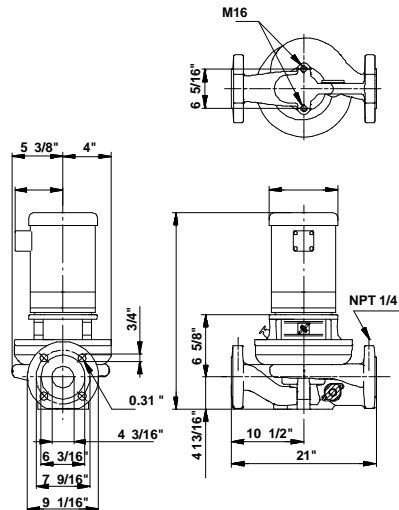
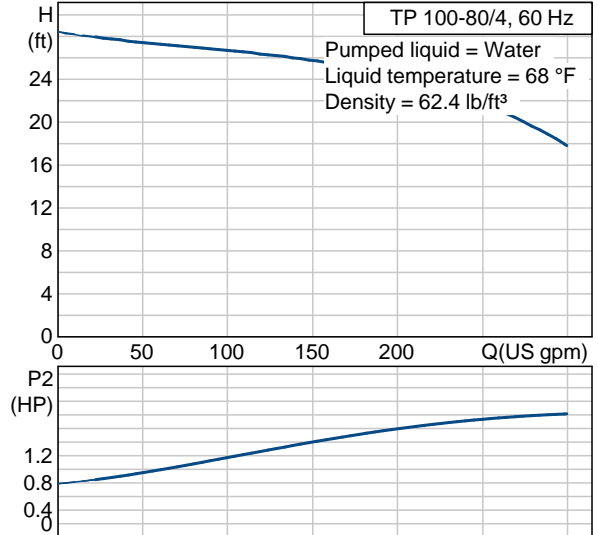
| Position | Count | Description | Unit price |
|----------|-------|--|------------|
| | -1 | <p>TP 100-80/4 U-G-A-BUBE</p>  <p>Product photo could vary from the actual product</p> <p>Product No.: 91122119 Single-stage centrifugal in-line single-head pump.</p> <p>The in-line design with opposite suction and discharge ports enables mounting in pipework or on a concrete foundation.</p> <p>The shaft seal is a corrosion-resistant maintenance-free mechanical seal.</p> <p>Liquid: Liquid temperature range: 5 .. 284 °F Liquid temp: 68 °F</p> <p>Technical: Actual calculated flow: 242 US gpm Resulting head of the pump: 22.3 ft Shaft seal: BUBE Maximum operating pressure: 145 psi</p> <p>Materials: Pump housing: Cast iron EN-JL1040 ASTM 25 B Impeller: Stainless steel DIN W.-Nr. 1.4301 AISI 304</p> <p>Installation: Maximum operating pressure: 145 psi Flange standard: ANSI Pipe connection: 4" Pressure stage: 125 Lb.</p> <p>Electrical data: Number of poles: 4 Power (P2) required by pump: 2.01 HP Main frequency: 60 Hz</p> | On request |



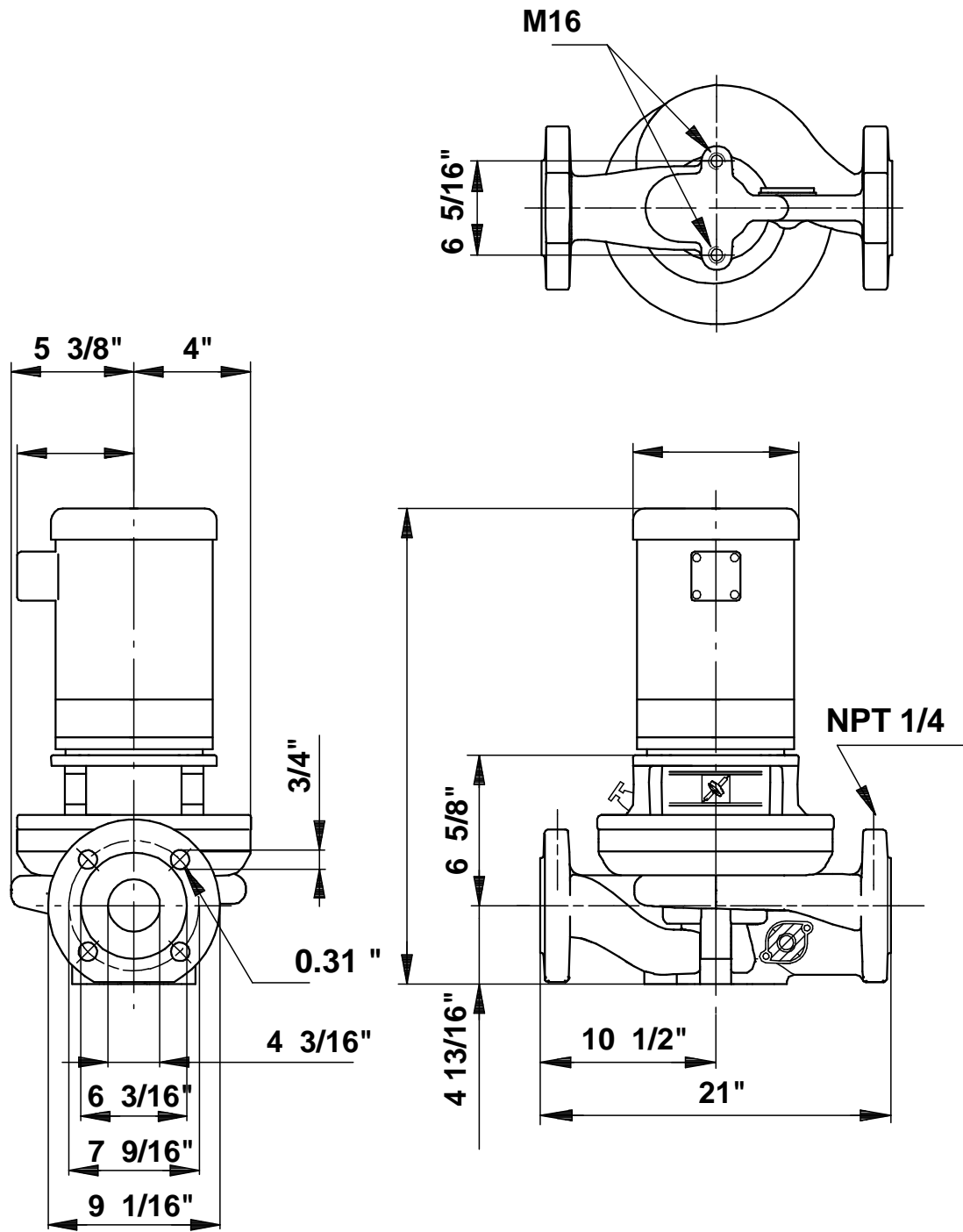
Company name: -
Created by: -
Phone: -
Fax: -
Date: -

| <i>Position</i> | <i>Count</i> | <i>Description</i> | <i>Unit price</i> |
|-----------------|--------------|--------------------|-------------------|
| | | | |

| Description | Value |
|------------------------------|--|
| Product name: | TP 100-80/4 U-G-A-BUBE U-G-A-BUBE |
| Product Number: | 91122119 |
| EAN number: | 5700394584258 |
| Technical: | |
| Actual calculated flow: | 242 US gpm |
| Resulting head of the pump: | 22.3 ft |
| Head max: | 26.2 ft |
| Shaft seal: | BUBE |
| Maximum operating pressure: | 145 psi |
| Pump version: | U |
| Materials: | |
| Pump housing: | Cast iron EN-JL1040 ASTM 25 B |
| Impeller: | Stainless steel DIN W.-Nr. 1.4301 AISI 304 |
| Material code: | A |
| Installation: | |
| Maximum operating pressure: | 145 psi |
| Flange standard: | ANSI |
| Connect code: | G |
| Pipe connection: | 4" |
| Pressure stage: | 125 Lb. |
| Liquid: | |
| Liquid temperature range: | 5 .. 284 °F |
| Liquid temp: | 68 °F |
| Electrical data: | |
| Number of poles: | 4 |
| Power (P2) required by pump: | 2.01 HP |
| Main frequency: | 60 Hz |
| Others: | |
| Country code: | Namreg |



91122119 TP 100-80/4 60 Hz



Note! All units are in [mm] unless others are stated.
 Disclaimer: This simplified dimensional drawing does not show all details.