
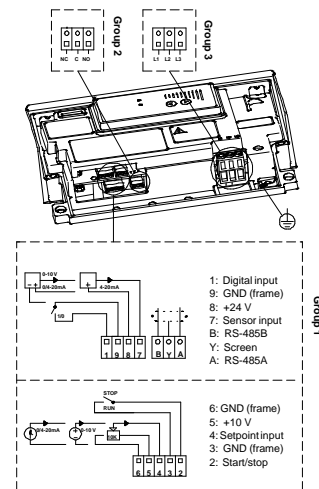
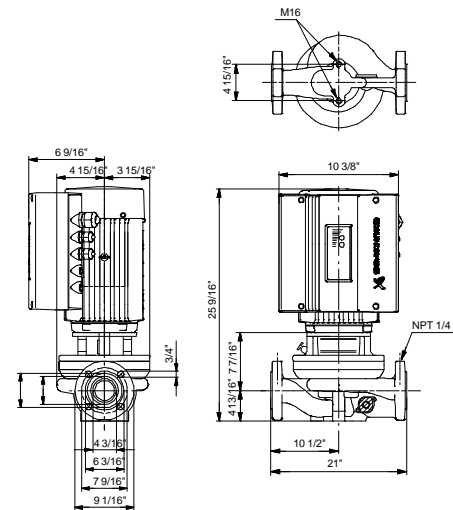
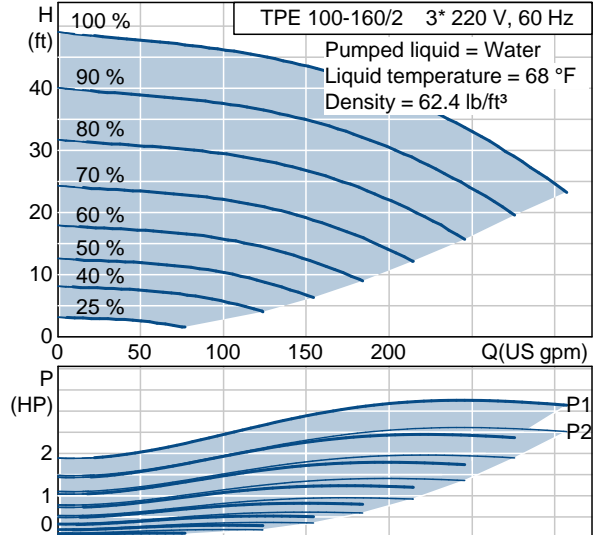


Position	Count	Description	Unit price
	-1	<p data-bbox="342 338 673 369">TPE 100-160/2 U-G-A-BUBE</p> <div data-bbox="354 369 732 705" style="border: 1px solid black; text-align: center;">  </div> <p data-bbox="737 674 1234 705">Product photo could vary from the actual product</p> <p data-bbox="354 732 829 819">Product No.: 91136576 Single-stage, centrifugal, in-line, single-head pump.</p> <p data-bbox="354 846 876 932">The in-line design with opposite suction and discharge ports enables mounting in pipework or on a concrete foundation.</p> <p data-bbox="354 959 756 1018">The shaft seal is a corrosion resistant maintenance-free mechanical seal.</p> <p data-bbox="354 1045 878 1218">The pump is fitted with a three-phase MLE motor with frequency converter and PI-controller integrated in the motor terminal box. No additional motor protection is required as both motor and electronics are protected by integrated overload and temperature protection.</p> <p data-bbox="354 1245 857 1331">External sensor can be connected if controlled pump operation based on for example flow, differential pressure or temperature is required.</p> <p data-bbox="354 1358 886 1476">A control panel enables setting of required setpoint as well as setting of pump to MIN or MAX operation or to STOP. The control panel has indicator lights for "Operation" and "Fault".</p> <p data-bbox="354 1503 909 1646">Communication with the pump is possible by means of Grundfos R100 Remote Control enabling further settings as well as reading out of a number of parameters such as "Actual value", "Speed", "Power input" and total "Power consumption".</p> <p data-bbox="354 1673 914 1871">The terminal box holds terminals for the connection of:</p> <ul style="list-style-type: none"> - Pump start/stop (potential-free contact), - external remote setpoint setting via analog signal, 0 - 5 V, 0 - 10 V, 0(4) - 20 mA, - 5 V voltage supply for setpoint potentiometer, I_{max} = 5 mA, 	On request

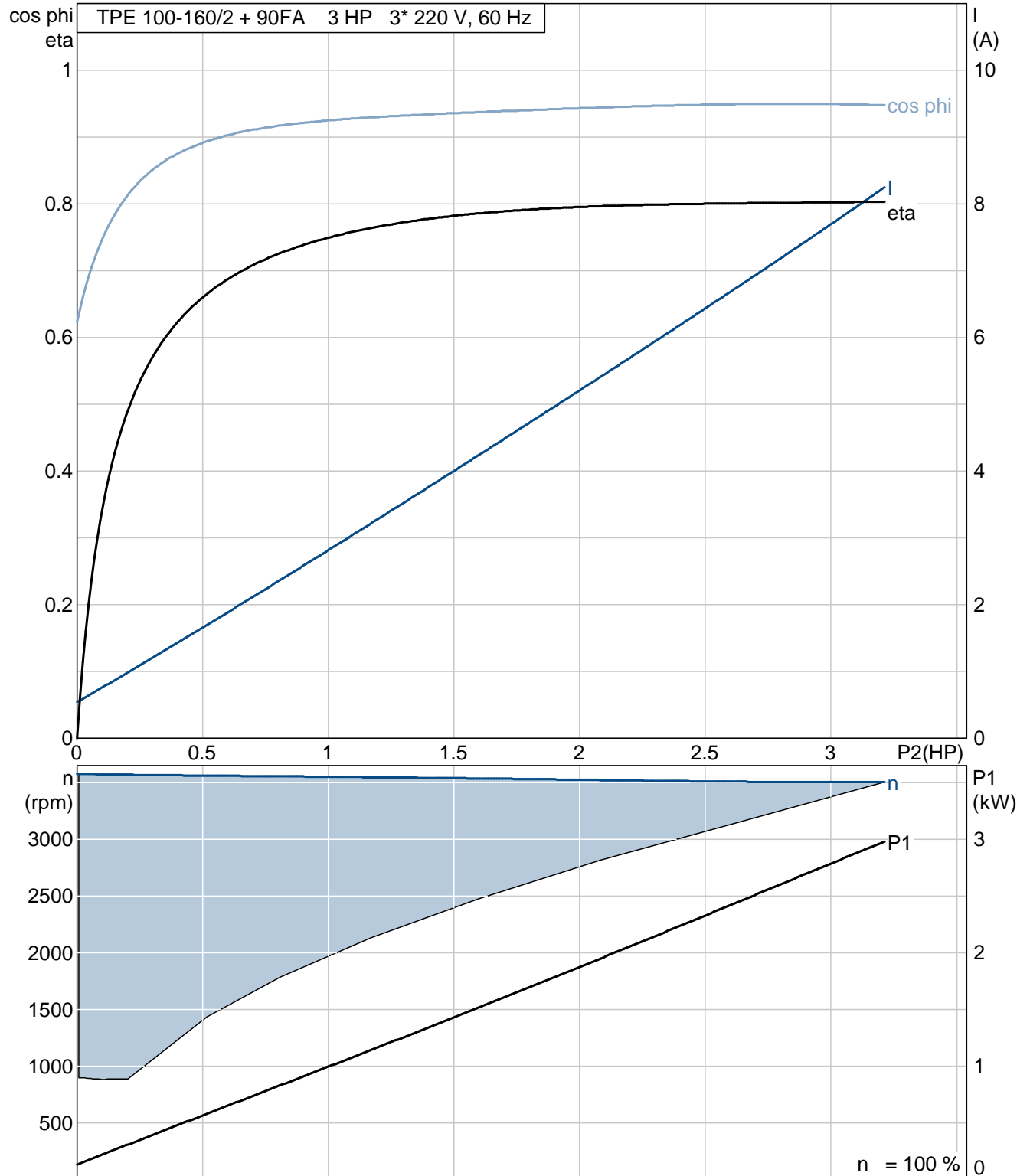
Position	Count	Description	Unit price
		<ul style="list-style-type: none"> - sensor, 0 - 5 V, 0 - 10 V, 0(4) - 20 mA, - 24 V voltage supply for sensor, I_{max} = 40 mA, - input for forced control to MIN or MAX (potential-free contact), - potential-free fault signal relay with changeover contact, - RS485 GENIbus. <p>Liquid:</p> <p>Liquid temperature range: 5 .. 284 °F</p> <p>Liquid temp: 68 °F</p> <p>Technical:</p> <p>Actual calculated flow: 146 US gpm</p> <p>Resulting head of the pump: 43.9 ft</p> <p>Shaft seal: BUBE</p> <p>Maximum operating pressure: 145 psi</p> <p>Materials:</p> <p>Pump housing: Cast iron EN-JL 1040 ASTM 25 B</p> <p>Impeller: Stainless steel DIN W.-Nr. 1.4301 AISI 304</p> <p>Installation:</p> <p>Maximum ambient temperature: 104 °F</p> <p>Maximum operating pressure: 145 psi</p> <p>Flange standard: ANSI</p> <p>Pipe connection: 4"</p> <p>Pressure stage: Class 125</p> <p>Flange size for motor: 182TC</p> <p>Electrical data:</p> <p>Motor type: 90FA</p> <p>Number of poles: 2</p> <p>Rated power - P2: 3 HP</p> <p>Main frequency: 60 Hz</p> <p>Rated voltage: 3 x 208-230 V</p> <p>Rated current: 8.3 A</p> <p>Cos phi - power factor: 0.95</p> <p>Rated speed: 3460 rpm</p> <p>Enclosure class (IEC 34-5): 55</p> <p>Insulation class (IEC 85): F</p> <p>Others:</p> <p>Gross weight: 166 lb</p>	

Description	Value
Product name:	TPE 100-160/2 U-G-A-BUBE
Product Number:	91136576
EAN number:	5700838117110
Technical:	
Actual calculated flow:	146 US gpm
Resulting head of the pump:	43.9 ft
Head max:	52.5 ft
Shaft seal:	BUBE
Maximum operating pressure:	145 psi
Pump Number:	96405361
Pump version:	U
Materials:	
Pump housing:	Cast iron EN-JL 1040 ASTM 25 B
Impeller:	Stainless steel DIN W.-Nr. 1.4301 AISI 304
Material code:	A
Installation:	
Maximum ambient temperature:	104 °F
Maximum operating pressure:	145 psi
Flange standard:	ANSI
Connect code:	G
Pipe connection:	4"
Pressure stage:	Class 125
Flange size for motor:	182TC
Liquid:	
Liquid temperature range:	5 .. 284 °F
Liquid temp:	68 °F
Electrical data:	
Motor type:	90FA
Number of poles:	2
Rated power - P2:	3 HP
Main frequency:	60 Hz
Rated voltage:	3 x 208-230 V
Rated current:	8.3 A
Cos phi - power factor:	0.95
Rated speed:	3460 rpm
Enclosure class (IEC 34-5):	55
Insulation class (IEC 85):	F
Motor protection:	NONE
Motor Number:	85900826
Others:	
Gross weight:	166 lb
Config. file no:	97845377

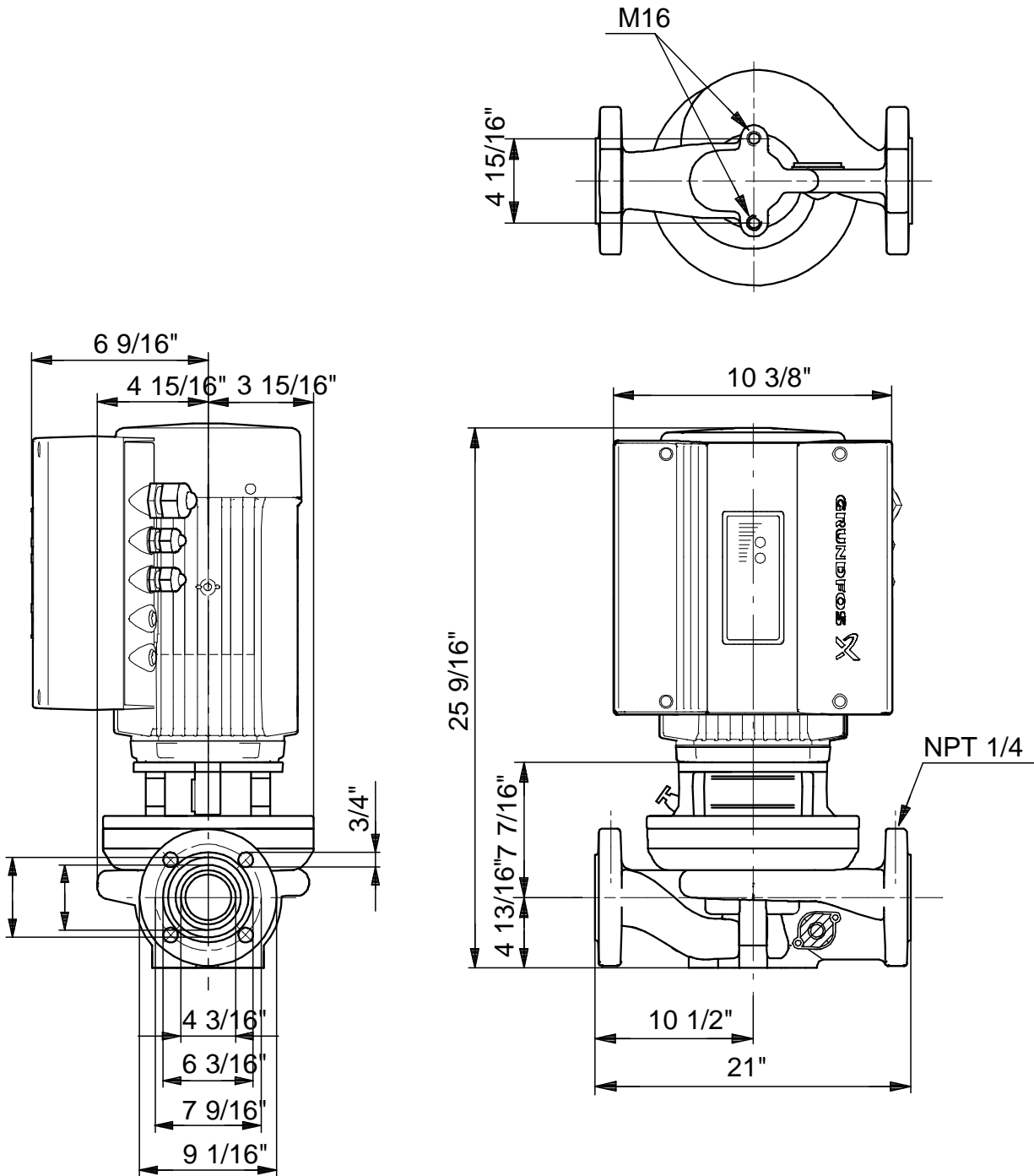




91136576 TPE 100-160/2 60 Hz

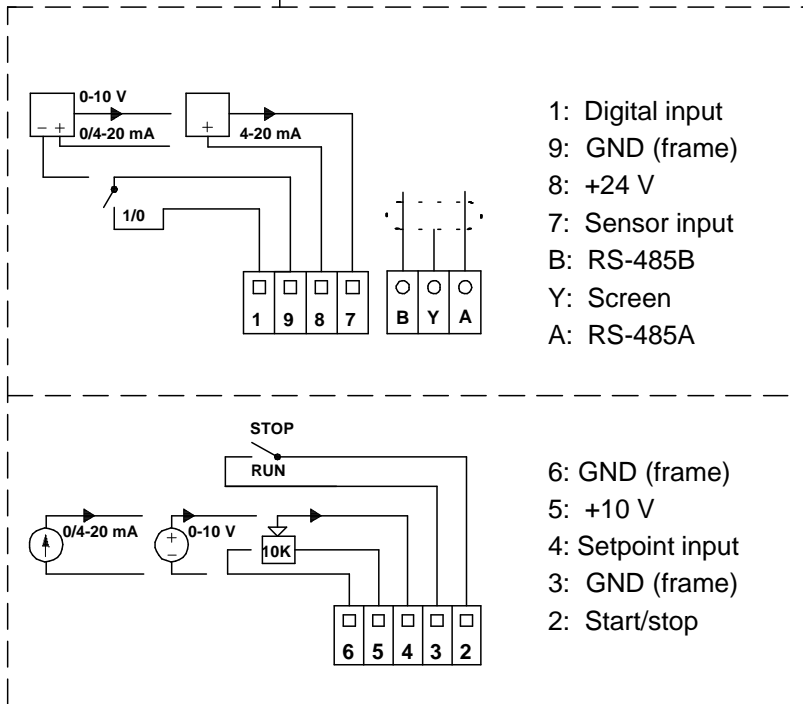
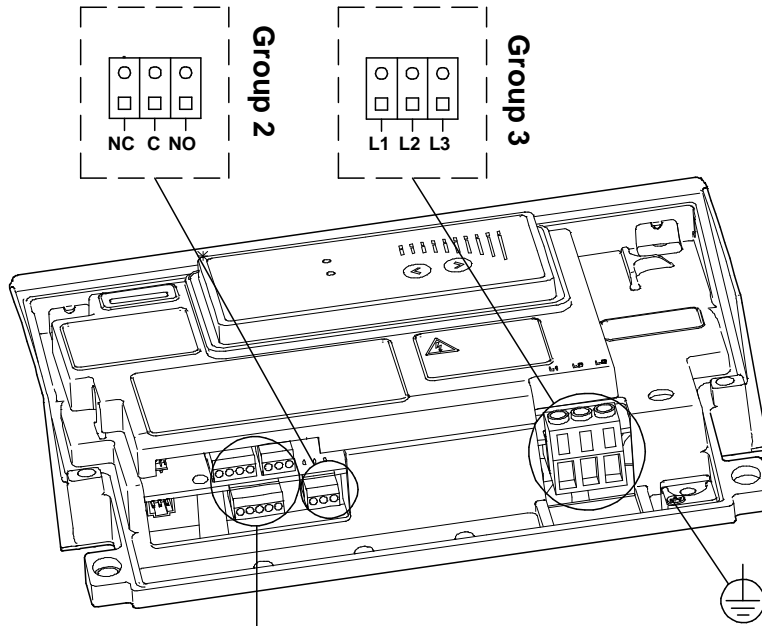


91136576 TPE 100-160/2 60 Hz



Note! All units are in [mm] unless others are stated.
 Disclaimer: This simplified dimensional drawing does not show all details.

91136576 TPE 100-160/2 60 Hz



All units are [mm] unless otherwise presented.