


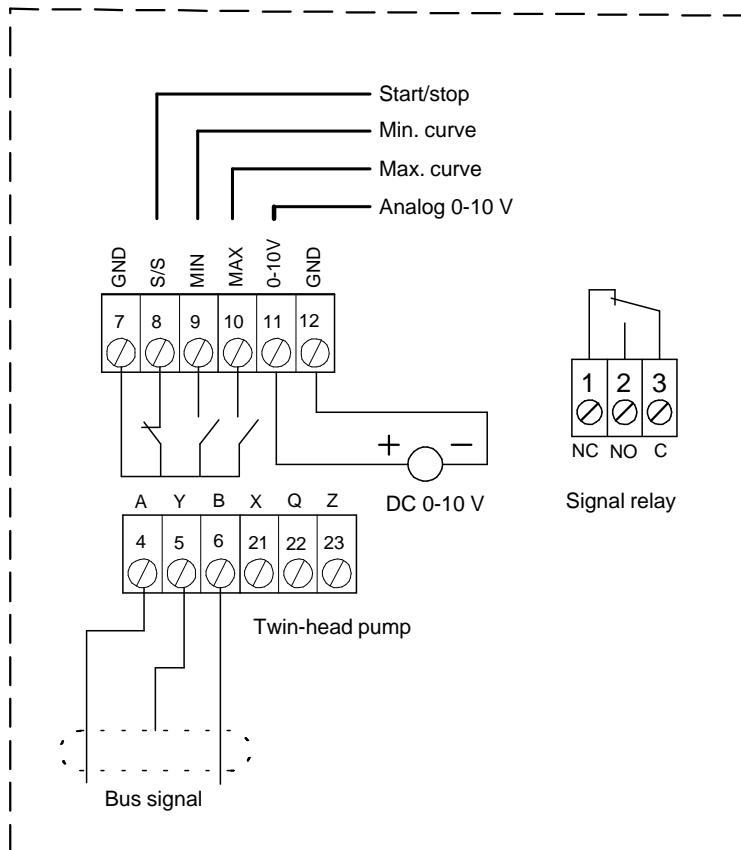
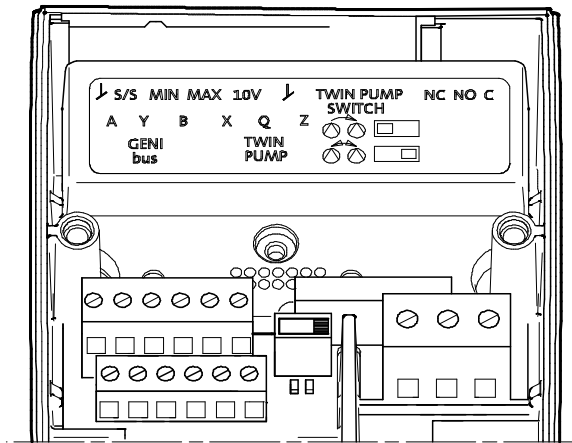
Position	Count	Description	Unit price
	-1	<p data-bbox="342 338 846 369">GENIbus module, MAGNA UPE Series 2000</p> <div data-bbox="354 369 732 705" style="border: 1px solid black; text-align: center;">  </div> <p data-bbox="737 674 1234 705">Product photo could vary from the actual product</p> <p data-bbox="354 732 604 764">Product No.: 96236335</p> <p data-bbox="354 789 1299 905">The GENI module incorporates a digital input for an external contact. The pump can be started and stopped via this input. When started, the pump will operate with the setpoint set on the control panel or with the R100.</p> <p data-bbox="354 930 1263 989">The GENI module incorporates inputs for external signals for the forced-control functions:</p> <ul data-bbox="354 993 545 1052" style="list-style-type: none"> • Max. curve duty. • Min. curve duty. <p data-bbox="354 1077 1360 1161">The GENI module has an input for an external 0-10 VDC analog signal transmitter. Via this input, the pump can be controlled by an external controller if the pump has been set to one of the following control modes:</p> <ul data-bbox="354 1165 816 1224" style="list-style-type: none"> • Constant curve • Proportional- or constant-pressure control <p data-bbox="354 1249 1279 1333">At an input voltage lower than 0.5 V, the pump will operate according to the min. curve. The setpoint cannot be changed. The setpoint can only be changed when the input voltage is higher than 0.5 V.</p> <p data-bbox="354 1358 963 1390">The function of the signal relay can be set with the R100.</p> <p data-bbox="354 1394 558 1425">Possible functions:</p> <ul data-bbox="354 1430 483 1509" style="list-style-type: none"> • Fault • Ready • Operation. <p data-bbox="354 1535 1304 1644">The GENI module enables serial communication via an RS-485 input, The communication is carried out according to the GRUNDFOS bus protocol, GENIbus, and enables connection to the GRUNDFOS Pump Management System 2000, a building management system or another type of external control system.</p> <p data-bbox="354 1648 1341 1707">Via the bus signal, it is possible to set pump operating parameters, such as desired setpoint, temperature influence, operating mode, etc.</p> <p data-bbox="354 1711 1349 1770">At the same time, the pump can provide status information about important parameters, such as actual head, actual flow, power input, fault indications, etc.</p> <p data-bbox="354 1774 1349 1812">For further details, consult the operating instructions for the GRUNDFOS Pump Management System 2000 or contact GRUNDFOS Management A/S.</p>	On request



Company name: -
Created by: -
Phone: -
Fax: -
Date: -

Position	Count	Description	Unit price
		<p>Others: Fits the following products: MAGNA 25/32-60, 25/32/40/50-100</p>	

96236335 GENibus module, MAGNA UPE Series 2000 60 Hz



All units are [mm] unless otherwise presented.