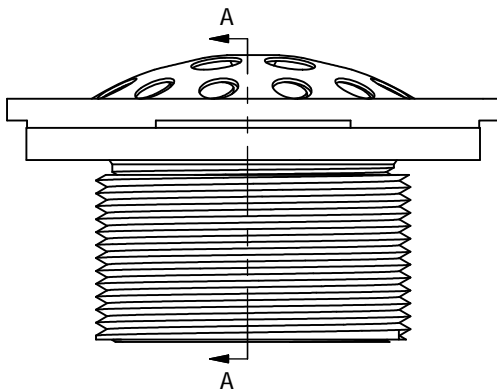
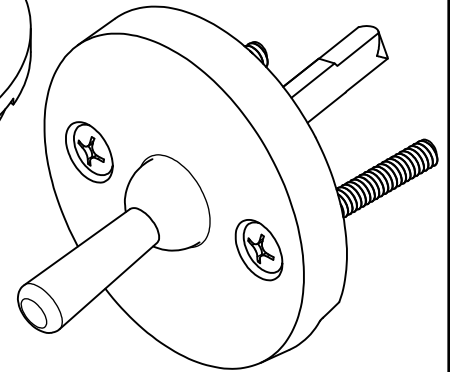
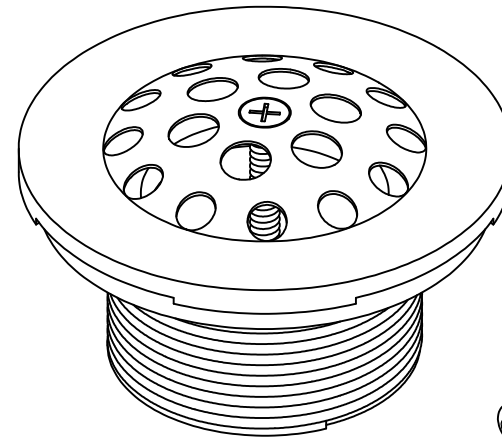
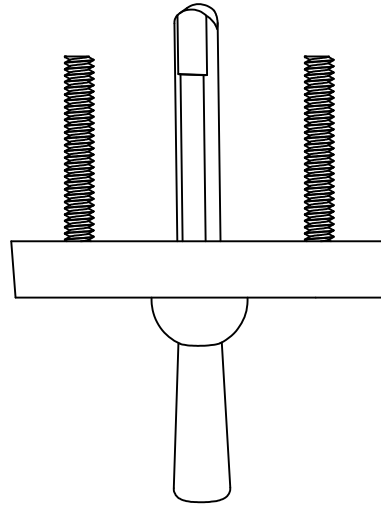
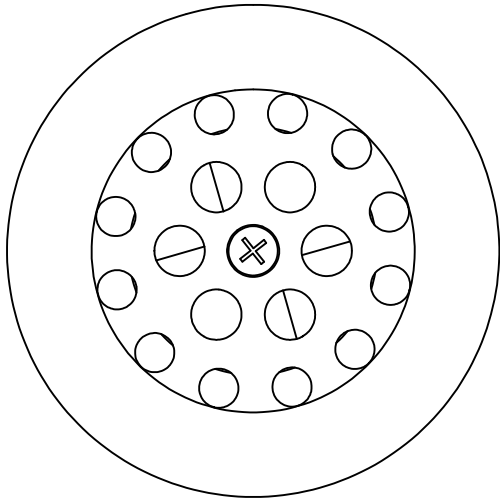
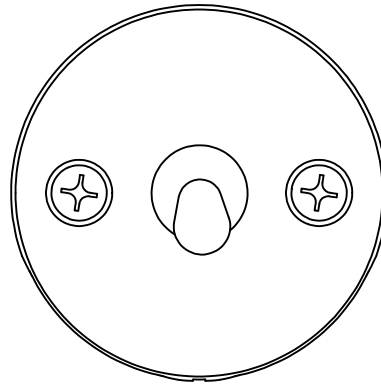


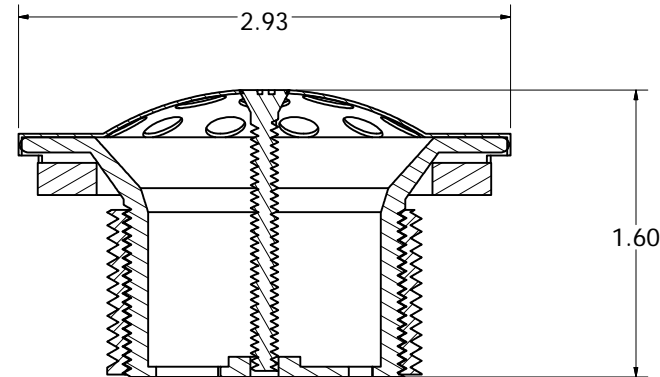
# TRIP LEVER CONVERSION KITS



SCALE - 2 : 1



SCALE 1.25 : 1



SECTION A-A  
SCALE 1.75



PHONE NUMBER  
1-800-355-6637  
FAX NUMBER  
1-800-462-6991  
SCALE \_\_\_\_\_ DATE 8-19-11  
SHEET  
1 OF 1  
DRAWN BY  
ASHLEY KRALOVEC

| PART NO. | B51015        | B5112AP         | B5112BI | B5112BB        | B5112BN        |
|----------|---------------|-----------------|---------|----------------|----------------|
| #HOLES   | 2             | 2               | 2       | 2              | 2              |
| FINISH   | CHROME PLATED | ANTIQUPE PEWTER | BISCUIT | BRUSHED BRONZE | BRUSHED NICKEL |