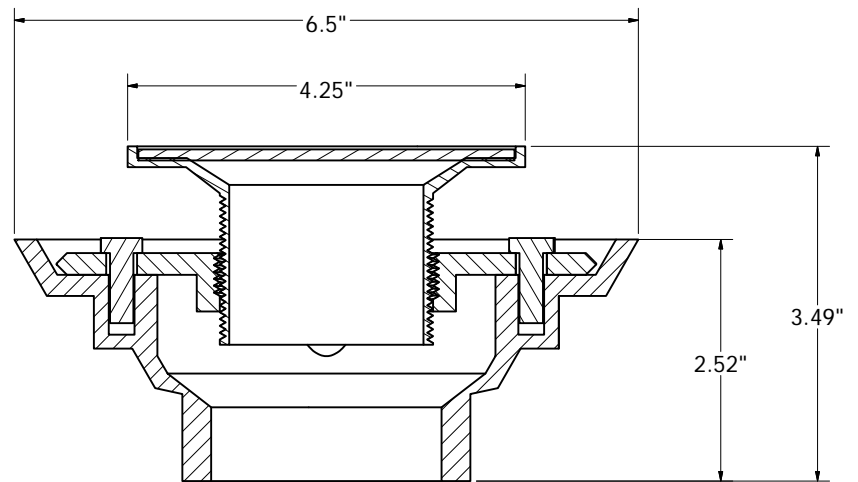
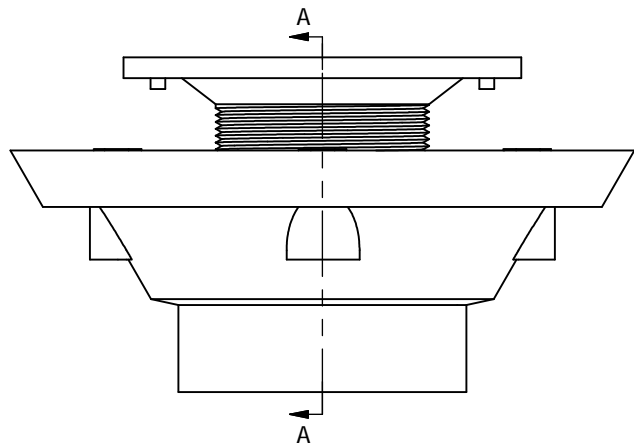
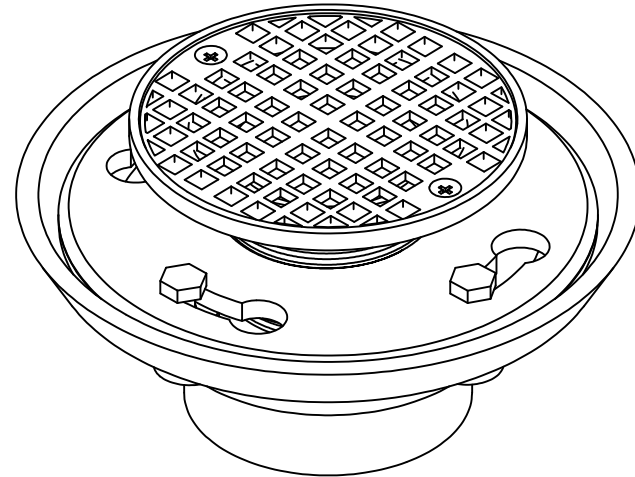
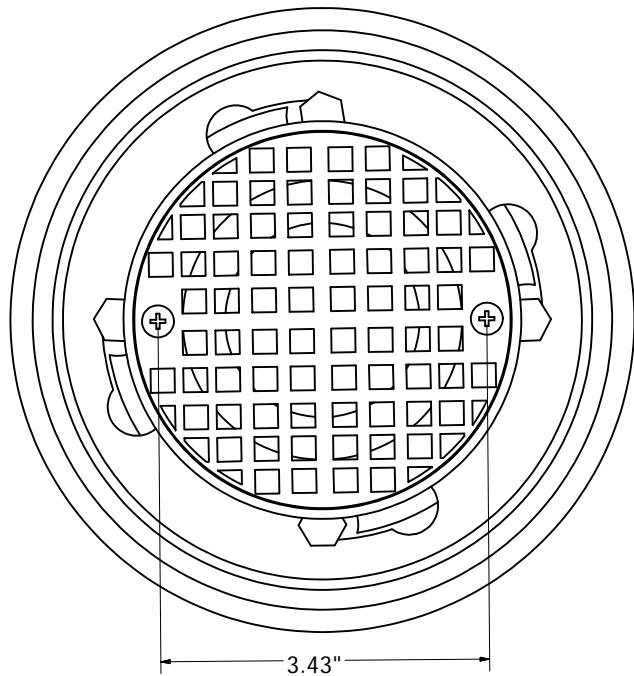


2" x 3" SHOWER DRAIN W/2" SPUD & 4-1/4" STRAINER



SECTION A-A
SCALE 1



PHONE NUMBER
1-800-355-6637
FAX NUMBER
1-800-462-6991
SCALE 1 : 1 DATE 8-23-11
SHEET 1 OF 1
DRAWN BY
ASHLEY KRALOVEC

PART NO.	D5001BN	D5001NP	D5001RB	D5001WB		
FINISH	BRUSHED NICKEL	PEARL NICKEL	OIL RUBBED BRONZE	OLD WORLD BRONZE		