

UTILITY GRADE Molded Wood Toilet Seats

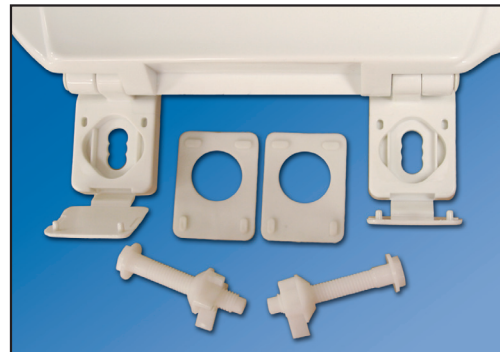
Model No. U003WD-00

Utility Grade - Molded Wood, Round
Closed Front with Cover with Plastic Hinge
(White)



Hinges Less Washers

Top mount seat comes with patent pending adjustable hinge design.



Contains:

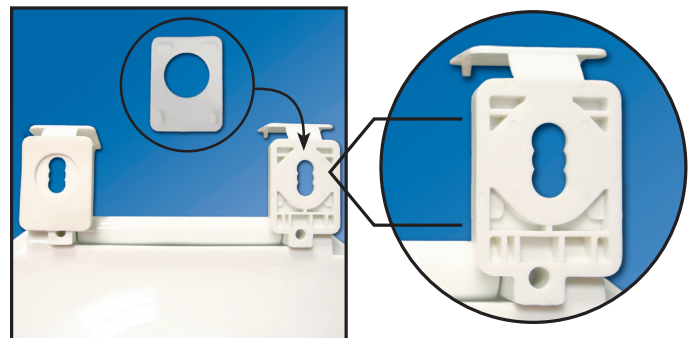
- Position bolt in front, center or back hole
- Three (3) lockdown positions
- Non-skid rubberized pads

Model No. U004WD-00

Utility Grade - Molded Wood, Elongated
Closed Front with Cover with Plastic Hinge
(White)



a
perfect
fit for the
imperfect
bowl



Seat shall be

Model Number U003WD-00

Utility Grade Molded Wood Seat

Round Closed Front with Cover

Model Number U004WD-00

Utility Grade Molded Wood Seat

Elongated Closed Front with Cover

Category

RESIDENTIAL

Features

- Deluxe contemporary design
- Durable Molded Wood
- Multi-coat high gloss enamel paint
- UV paint color protection
- Color matching hinge and bumpers
- Corrosion resistant stainless steel screws
- Corrosion proof POM nuts and bolts

Seat Color/Finish

Specify white

Hinge Color/Finish

Specify white

Product Specifications

Hinge Design: Plastic hinge with stainless steel screws

Ring Thickness: 3/4"

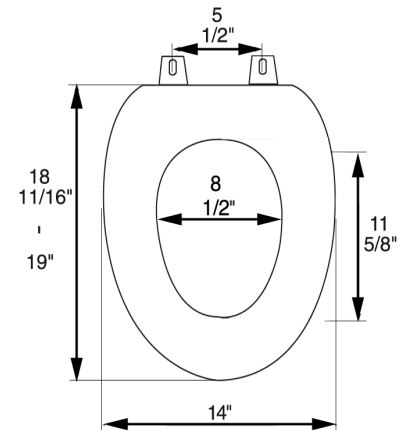
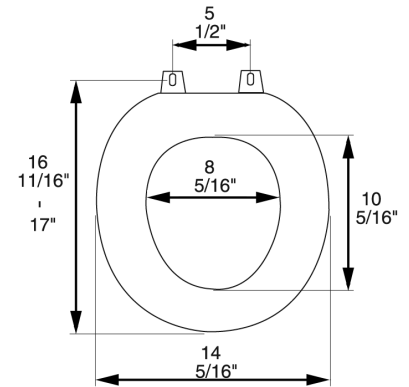
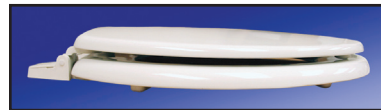
Ring Thickness with Bumper: 1 1/8"

Height of Seat with Cover: 2 1/4"

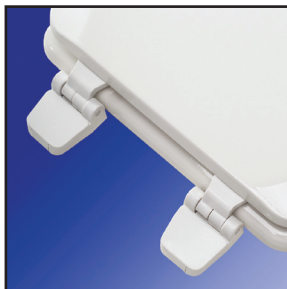
Size: ANSI Standard Toilet

Additional Information

Comfort™ Seats molded wood utilizes the finest paint to seal and beautify the molded wood core with deep lustrous color and rock hard enamel durability.



Corrosion proof, self-aligning hardware



Factory-installed "living" hinge covers w/stainless steel screws