

UTILITY GRADE Plastic Toilet Seats

Model No. U1007-00

Utility Grade Plastic, Round
Closed Front with Cover and Check Hinge
(White)

Model No. U1007TK-00

10 pack



Model No. U1008-00

Utility Grade Plastic, Elongated
Closed Front with Cover and Check Hinge
(White)

Model No. U1008TK-00

10 pack



Seat shall be

Model Number U1007-00 / U1007TK-00

Utility Grade Plastic Seat

Round Closed Front with Cover

Model Number U1008-00 / U1008TK-00

Utility Grade Plastic Seat

Elongated Closed Front with Cover

Category

RESIDENTIAL

Features

- Injection molded durable polypropylene plastic with UV protection
- Molded in bumpers
- Corrosion proof nuts, bolts and washers
- Top mount design

Seat Color/Finish

Specify white

Hinge Color/Finish

Specify white

Product Specifications

Hinge Design: Check hinge

Ring Height: 1/2"

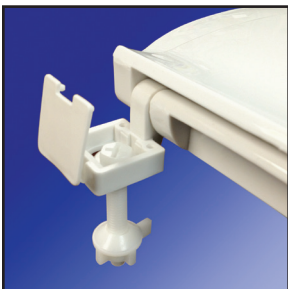
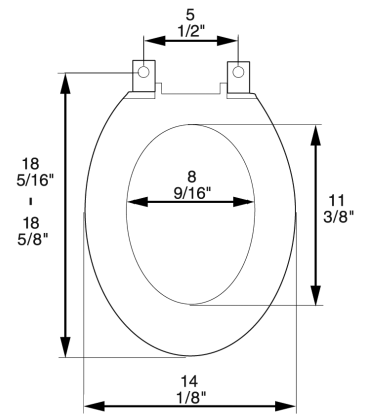
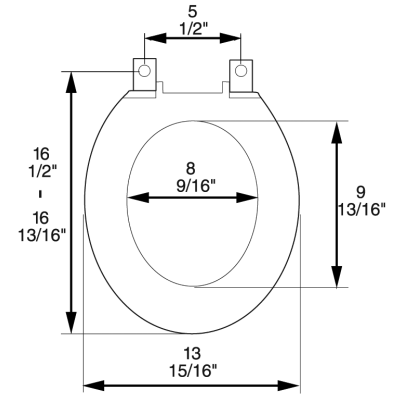
Ring Height with Bumper: 5/8"

Height of Seat with Cover: 1 1/2"

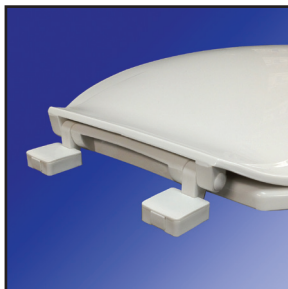
Size: ANSI Standard Toilet

Additional Information

All seats feature UV protection.



Corrosion proof, self-aligning hardware



Check hinge design