



# SERVICE PARTS LIST

**BULLETIN NO.**  
54-30-0400

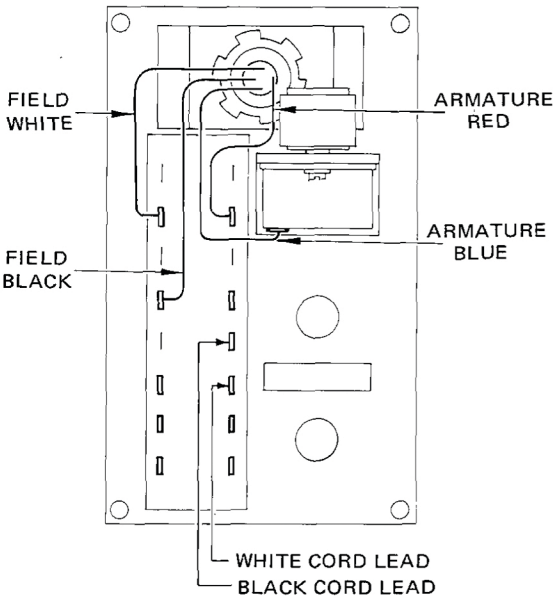
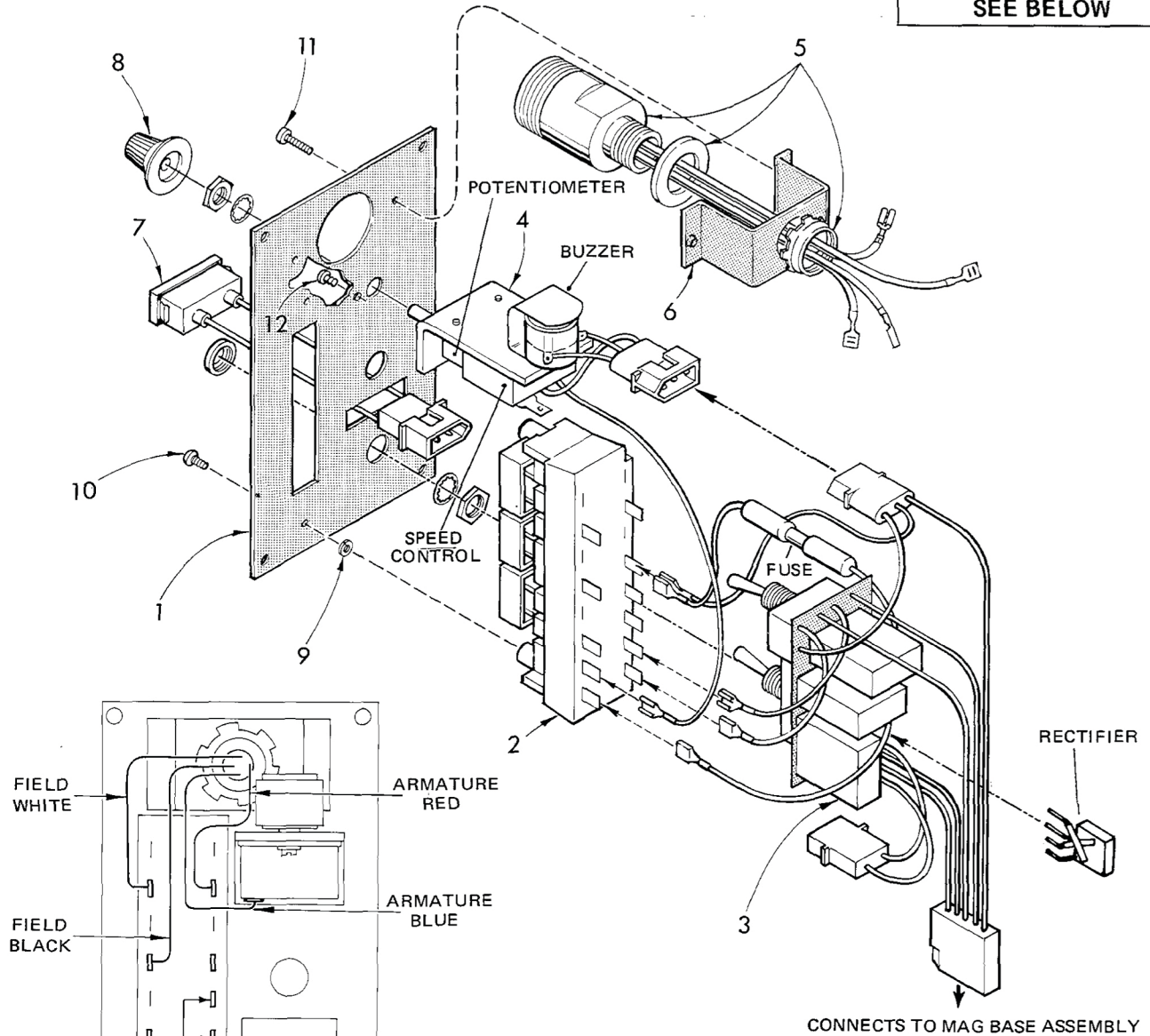
SPECIFY CATALOG NO. AND SERIAL NO. WHEN ORDERING PARTS

23-35-0312 MAG STAND CONTROL PANEL

REVISED BULLETIN

DATE  
May 2006

WIRING INSTRUCTION  
**SEE BELOW**



CORD SET PART NO. 22-64-0075		
WIRE	LENGTH	TERMINAL
Green *	3-1/4"	23-74-0320
White	9"	23-74-0470
Black	9"	23-74-0470

\*CONNECT TO HOUSING WITH GROUND SCREW

FIG.	PART NO.	DESCRIPTION OF PART	NO. REQ.
1	23-35-0260	Panel Blank	(1)
2	23-66-0937	Drill Switch Assembly	(1)
3	14-20-0010	Control Module "A" Includes:	(1)
	---	15/32 Dress Nut	(2)
	---	15/32 Bronze Lockwasher	(2)
	---	15/32 - 32 Std. Hex Nut	(2)
	22-89-0140	Type MTH 5 Amp Fuse	(1)
	23-38-2815	Rectifier Assy.	(1)
4	14-20-0020	Control Module "B" Includes:	(1)
	14-20-0030	Speed Control	(1)
	23-38-7600	Potentiometer	(1)
	23-38-0085	Buzzer	(1)
5	23-33-0230	Drill Receptacle Assy. (socket, rubber washer & nut)	(1)
6	42-36-0410	Receptacle Mounting Bracket	(1)
7	23-26-0071	Pilot Light Assy.	(1)
8	23-18-0080	Drill Speed Control Knob	(1)
9	06-97-3175	No. 6 Split Ring Lockwasher	(2)
10	06-81-4195	6-32x1/4 Phillips Pan Hd. Screw	(2)
11	06-85-0400	6-20x3/4 Phillips Pan Hd. Screw	(2)
12	06-81-4430	4-40x1/4 Round Hd. Screw	(1)

**MILWAUKEE ELECTRIC TOOL CORPORATION**  
13135 W. LISBON RD., BROOKFIELD, WIS. 53005