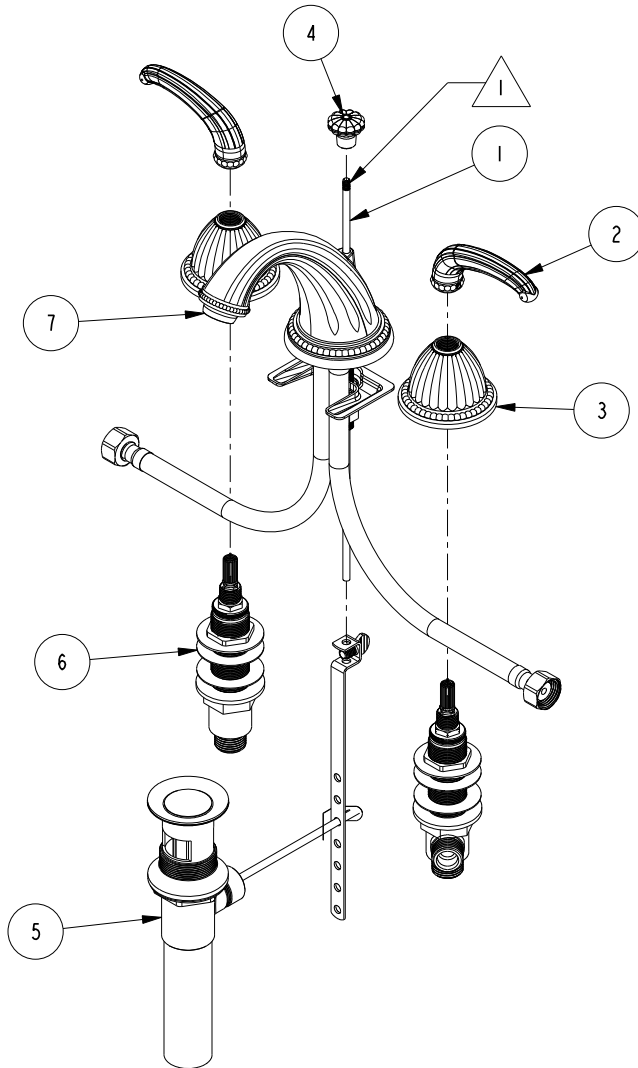


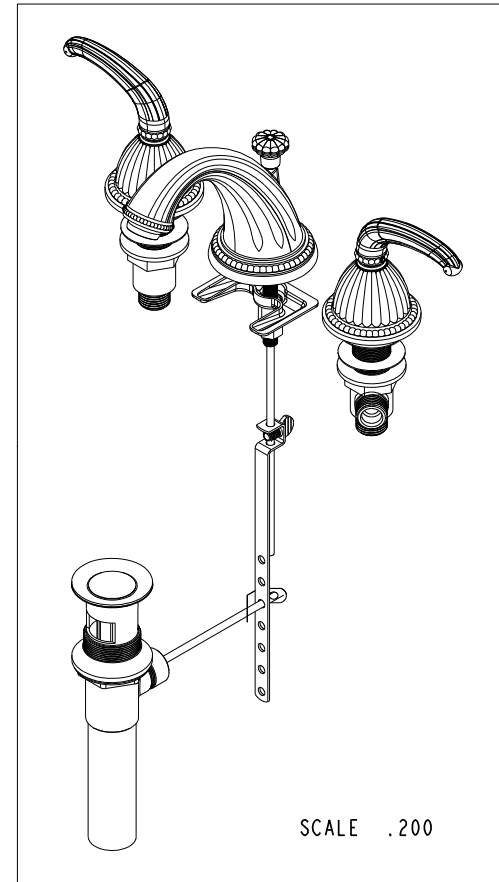
NOTES:

1 APPLY LOCTITE 680 OR EQUIVALENT



**BILL OF MATERIAL (CURRENT LEVEL)**

ITEM	PT/ASSY	DESCRIPTION	TYPE	QTY.
1	10288	3/16" POP UP ROD	PART	1
2	2-105	ASSY, LEVER HANDLE, 880	ASSEMBLY	2
3	10103	ESCUTCHEON, 880 SERIES	PART	2
4	10104	KNOB POP-UP 880 SERIES	PART	1
5	325	POP UP ASSEMBLY	ASSEMBLY	1
6	1-525	W/S VALVE INSTALLATION	ASSEMBLY	1
7	3-356	WIDESPREAD SPOUT ASM	ASSEMBLY	1



COPYRIGHT 2005 BRASSTECH, INC. THESE DRAWINGS AND THE DESIGNS DEPICTED HEREIN ARE THE PROPRIETARY PROPERTY OF BRASSTECH. ANY USE OR REPRODUCTION IS SUBJECT TO THE EXPRESS APPROVAL OF BRASSTECH. UNAUTHORIZED USE IS STRICTLY PROHIBITED. ALL RIGHTS RESERVED.

**BRASSTECH**  
INCORPORATED  
2001 E. CARNEGIE AVE.  
SANTA ANA, CA 92705  
(949) 417-5207

**WIDESPREAD FAUCET**

ASSY. NO.

**880**

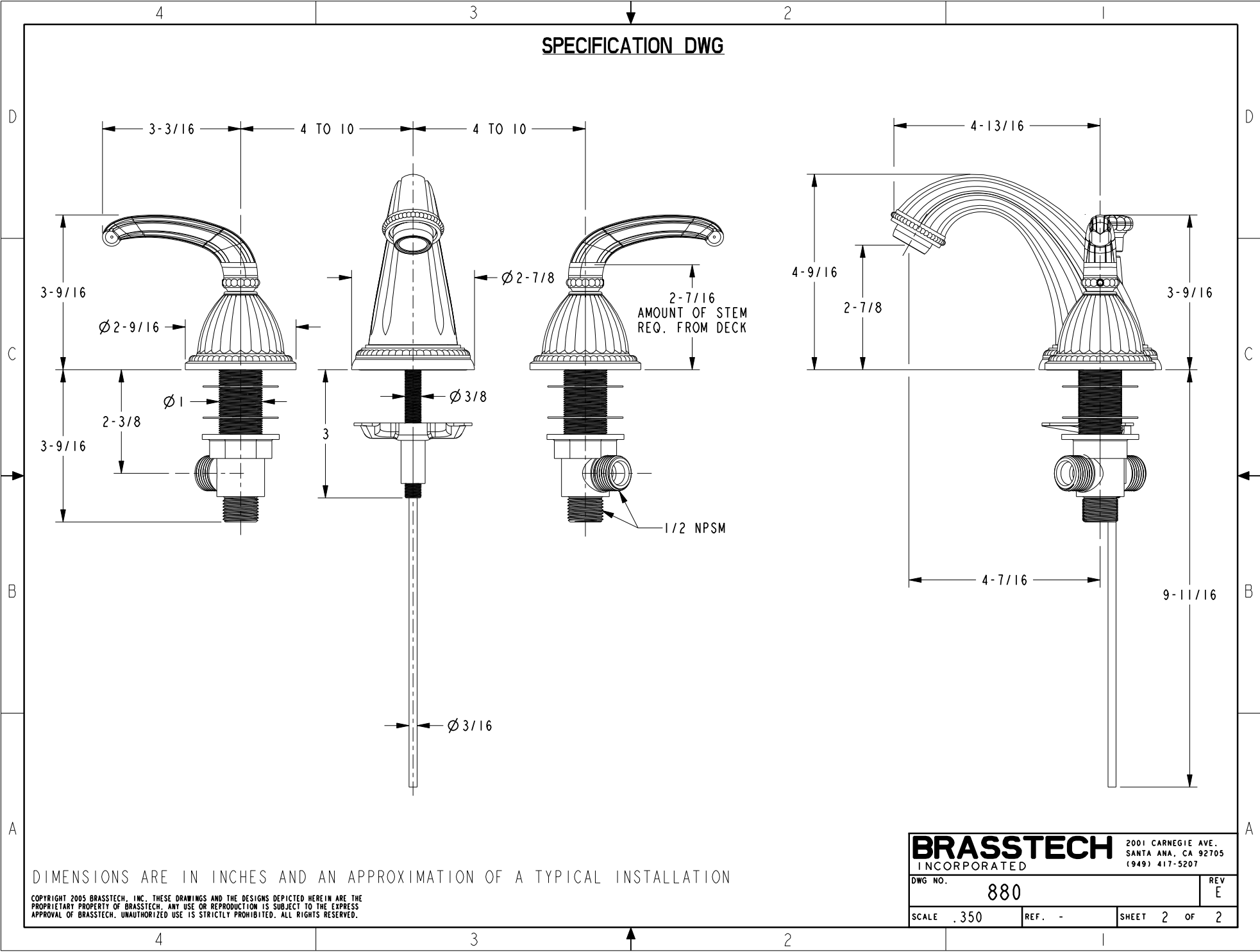
SCALE .200

REF. -

SHEET 1 OF 2

E	EN-2553	07/01/13
D	EN-1616	09/13/10
C	EO-1020	06/10/08
B	SPOUT CHG	1998
REV	REV DESC	DATE

**SPECIFICATION DWG**



DIMENSIONS ARE IN INCHES AND AN APPROXIMATION OF A TYPICAL INSTALLATION

COPYRIGHT 2005 BRASSTECH, INC. THESE DRAWINGS AND THE DESIGNS DEPICTED HEREIN ARE THE PROPRIETARY PROPERTY OF BRASSTECH. ANY USE OR REPRODUCTION IS SUBJECT TO THE EXPRESS APPROVAL OF BRASSTECH. UNAUTHORIZED USE IS STRICTLY PROHIBITED. ALL RIGHTS RESERVED.

<b>BRASSTECH</b>		2001 CARNEGIE AVE. SANTA ANA, CA 92705 (949) 417-5207
DWG NO.	<b>880</b>	REV E
SCALE .350	REF. -	SHEET 2 OF 2