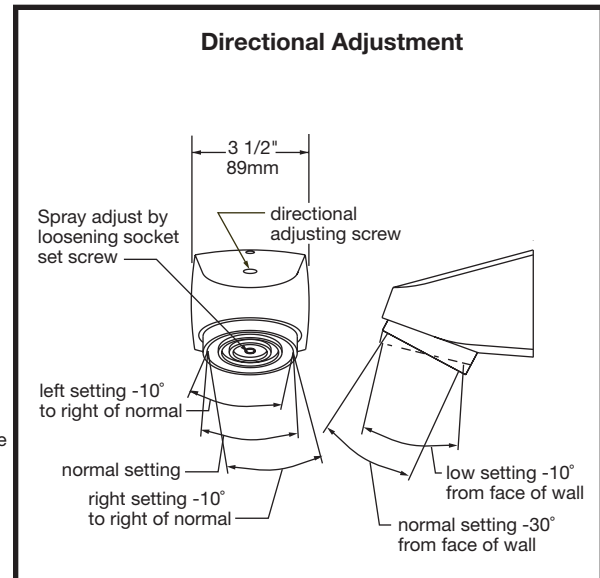
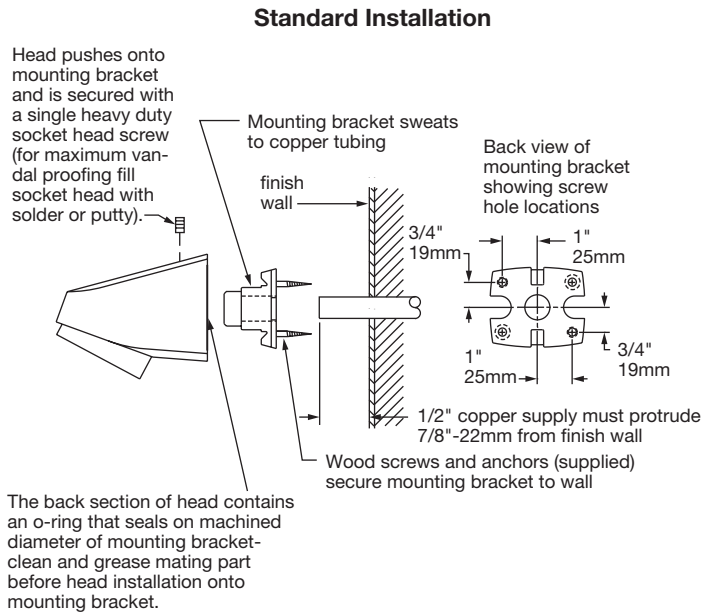


4-151

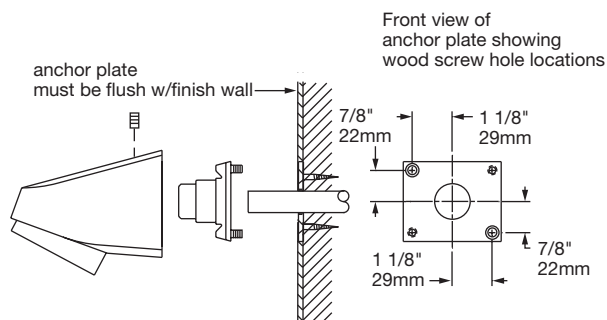
Universal institutional shower head with tamper-proof spray pattern adjustment and tamper-proof angular direction of spray adjustment. Spray face and internal components designed to guard against mineral build-up. Anchor mounting bracket, all mounting fasteners are vandal resistant recessed hex socket type.

Suffix A: Anchor plate to simplify mounting on ceramic tile

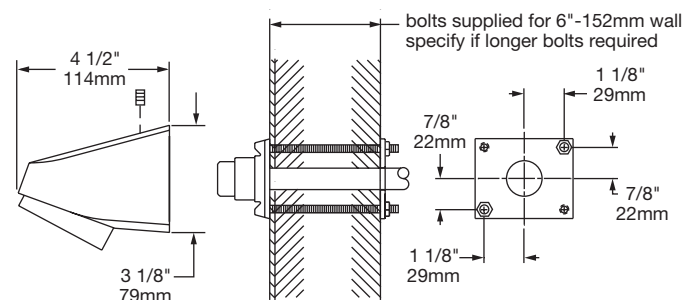
Suffix B: Back plate and thru bolts for extra thick wall



Installation with Anchor Plate — Suffix "A"



Installation with Back Plate — Suffix "B"



Anchor plate used for ceramic tile application—plate screws to wall and tile is applied up to sides of plate. Mounting bracket is mounted on finished wall with machine screws into anchor plate