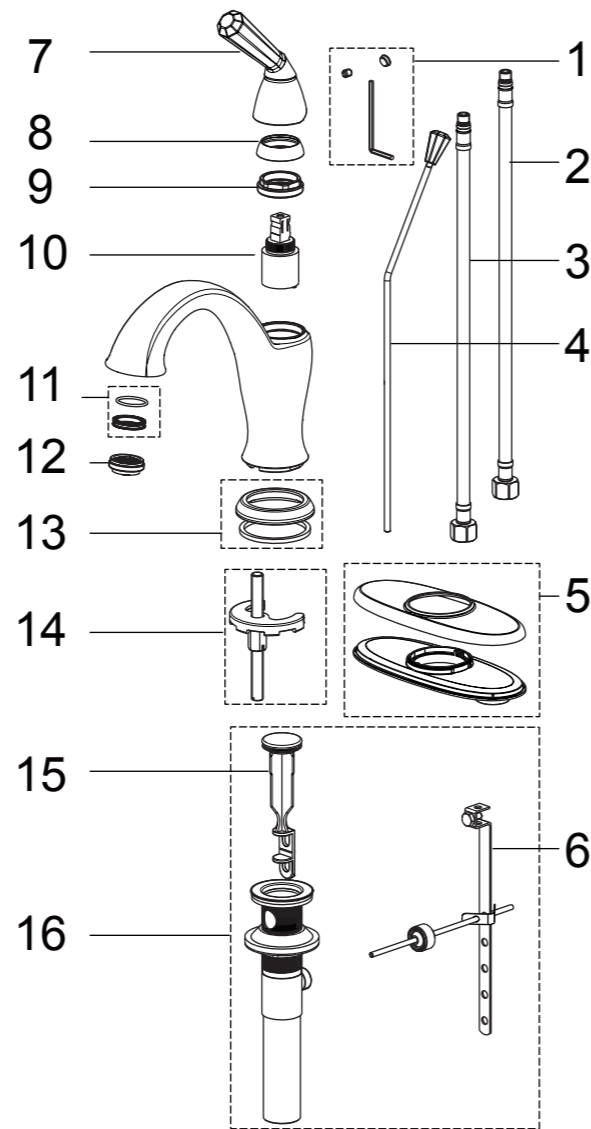


Replacement Parts / Pièces de rechange / Repuestos

NO.	Description	Part No.
1	Plug & Screw	9Q224200PL
2	Hose (Hot)	5G0M0069CC
3	Hose (Cold)	5G0M0068CC
4	Lift Rod	9Q224100CP/AP/HA
5	Base Assembly	9Q223900CP/AP/HA
6	Leverage Assembly	9Q230000NT
7	Handle	5C0001800CP0
8	Escutcheon	5L0P0277CP
9	Nut	5T0C0171NT
10	Cartridge	52007014PL
11	Aerator Housing Assembly	9Q229800NT
12	Aerator	5E0M0114PL
13	Base Assembly	9Q223800CP/AP/HA
14	Fixed Assembly	9Q1222NT
15	Drain Plug Assembly	622012052
16	Pop-Up Assembly	5Y0M0088CP/AP/HA



UF35210  
UF35213  
UF35215

# Traditional II

Single Handle Lavatory Faucet

UF35210  
UF35213  
UF35215

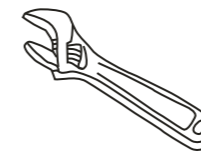


## Installation/Installation/Instalación

**CUSTOMER SERVICE**  
**TOLL-FREE 1-888-OK-ULTRA (658-5872)**



### Tools You Will Need / Outils dont vous aurez besoin / Herramientas necesarias



Adjustable Wrench  
Clé à molette  
Llave ajustable



Pipe Tape  
Ruban pour tuyau  
Cinta selladora para rosca



Groove join pliers  
Pince multiprise  
Pinzas ajustables

### Limited Lifetime Warranty

Ultra Faucets warrants to the original purchaser that its products will be free from defects in workmanship and materials. All Ultra Faucets are provided with a life time limited warranty. This warranty does not cover any other labor or service charges associated with the removal, repair, or reinstallation of Ultra Faucets products. This express warranty does not apply to products that have been damaged as a result of misuse, abuse, negligence, accident, faulty installation or maintenance practices and/or used in any manner contrary to those recommended by the manufacturer.

**Need help?** Please call our toll-free customer service line at 1-888-658-5872 for additional assistance or service.

**Besoin d'aide?** Veuillez communiquer avec notre service à la clientèle au numéro gratuit 1-888-658-5872 pour tous renseignements ou services complémentaires.

**¿Requiere asistencia?** Llame a nuestro Servicio al Cliente, sin costo, al 1-888-658-5872 para asistencia adicional o servicio.

### SAFETY TIPS

- If you use soldering for the installation of the faucet, the seats, cartridges and washers will have to be removed before using flame. Otherwise, warranty will be void on those parts.
- Cover your drain to avoid losing parts.
- 0°C~55°C.

### CONSIGNES DE SÉCURITÉ

- Si vous posez le robinet par brasage, il est essentiel de retirer les sièges, les cartouches et les rondelles avant d'appliquer la flamme, faute de quoi la garantie sur ces pièces sera annulée.
- Couvrez le drain pour ne pas perdre des pièces.
- 0°C~55°C.

### CONSEJOS DE SEGURIDAD

- En el caso de utilizar soldadura para instalar el grifo, remueva los asientos, cartuchos y arandelas antes de usar la llama. De lo contrario, se anulará la garantía para esos componentes.
- Tape la boca del desagüe para prevenir la pérdida de piezas pequeñas.
- 0°C~55°C.

