



Faucets

5F-8WLX05

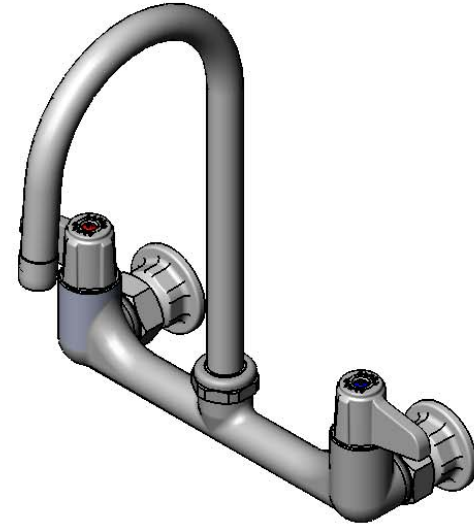
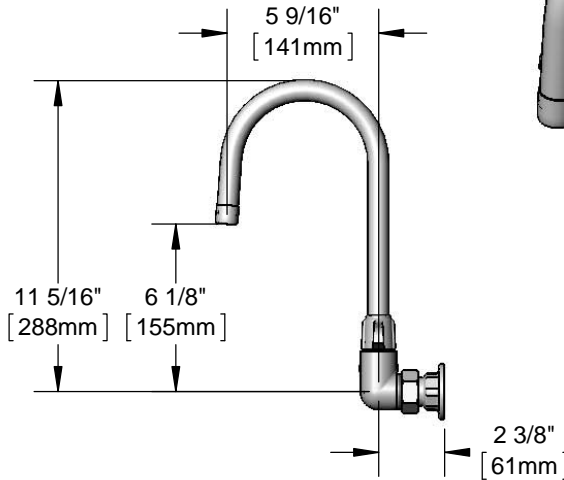
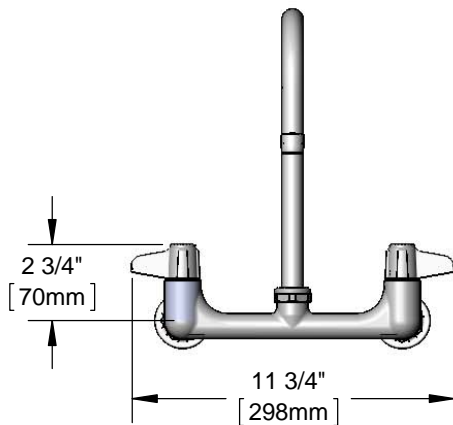
TAG:

8" Wall Mount Faucet

Architect/Engineering Specifications:

8" wall mount mixing faucet with polished chrome plated brass body, ceramic cartridges, equip lever handles, 5 9/16" equip swivel gooseneck with laminar full flow device and 1/2" NPT female inlets. Certified to ASME A112.18.1/CSA B125.1, NSF 61-Section 9 and NSF 372. Meets ADA ANSI/ICC A117.1 requirements.

Job Name _____
 Model Specified _____ Quantity _____
 Variations Specified _____
 Date _____



Features & Benefits:

- 8" wall mount mixing faucet with polished chrome plated brass body
- Ceramic cartridges
- 5 9/16" equip swivel gooseneck w/ laminar full flow device
- equip lever handles w/ color coded screws
- 1/2" NPT female inlets with Ø2" wall flanges
- Adjustable centers from 7 3/4" to 8 1/4"
- Material: Polished Chrome plated brass body & tubular spout and chrome plated metal handles

Product Compliance:

- ASME A112.18.1 / CSA B125.1
- NSF 61 - Section 9
- NSF 372 (Low Lead Content)
- ANSI A117.1 (ADA)



Warranty: One Year (Limited)



Performance Data:

- Pressure: 20 - 125 psi
- Temperature: 40 °F - 180 °F
- Flow Rate: 5.20 GPM @ 60 psi



ADA Compliant



equip Foodservice Accessories



• 2 Saddleback Cove • Travelers Rest, SC 29690
Ph 800-891-4808 • Fax 800-868-0084
www.tsbrass.com

Date: 11/10/15