

FAUCET DESCRIPTION

- Brass construction with chrome plated finish
- 8" widespread
- 1/2" IPS connections
- Vandal resistant torx head screws
- Vandal resistant aerator

OPERATION

- Wrist blade handles with hot and cold color indicators

FLOW

- Aerator is limited to 2.2 gpm max. (8.3 L/min)

CARTRIDGE

- Brass shell, ceramic disc cartridge
- 1/4 turn operation

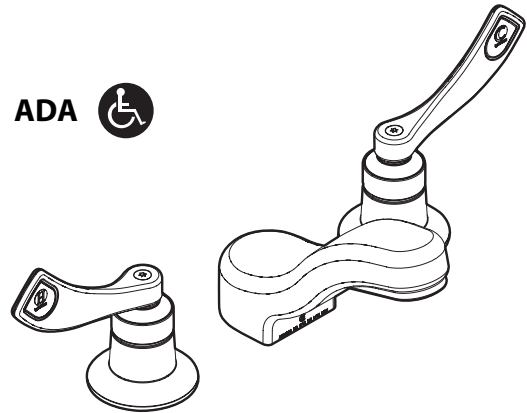
STANDARDS

- Third party certified to meet CSA B-125, ASME A112.18.1M, ANSI A117.1 and all applicable specifications referenced therein
- Certified to ANSI/NSF 61/9
- Complies with California Proposition 65 and with the Federal Safe Drinking Water Act

WARRANTY

- Warranted for five years against material or manufacturing defects

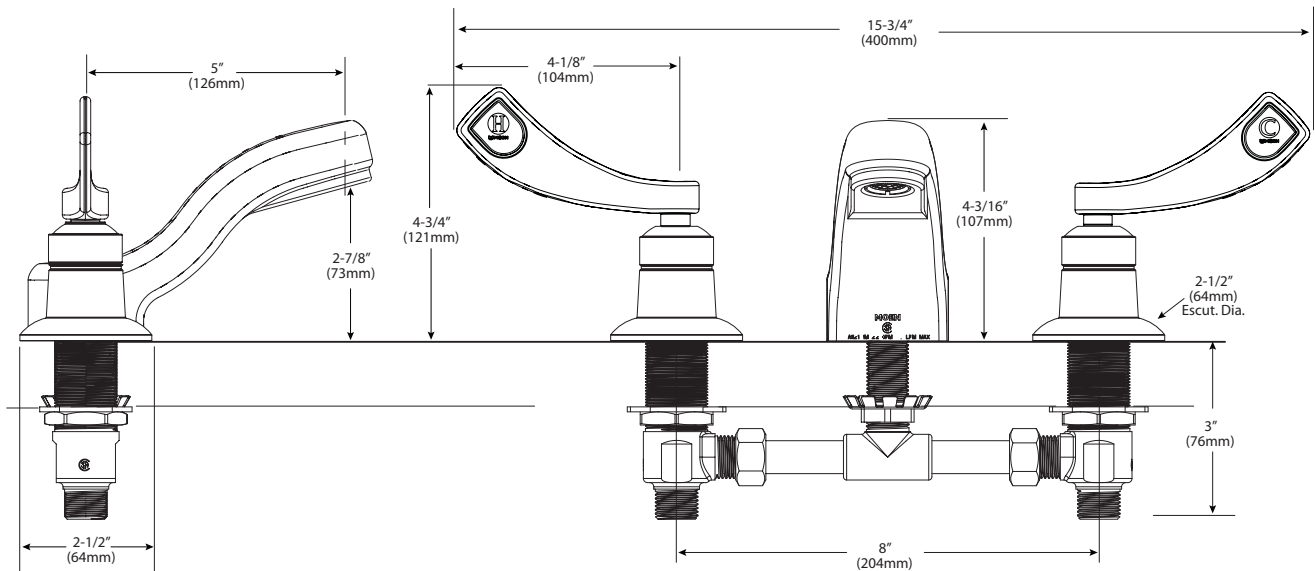
ADA 



Two-Handle Lavatory Faucet

Model: 8228

NOTE: Designed to be installed through 3 holes - 1" min. dia.



CRITICAL DIMENSIONS

(DO NOT SCALE)