

**Rough, Quattro 3-Way Diverter, 3/4"**  
 Finishes : n.a. Part no. : 15930181



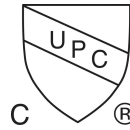
**Description**

**Features**

- 1 inlet, 3 outlets
- 3/4" NPT
- Requires volume control
- Ceramic cartridge
- Flow: 17 GPM

**Item details**

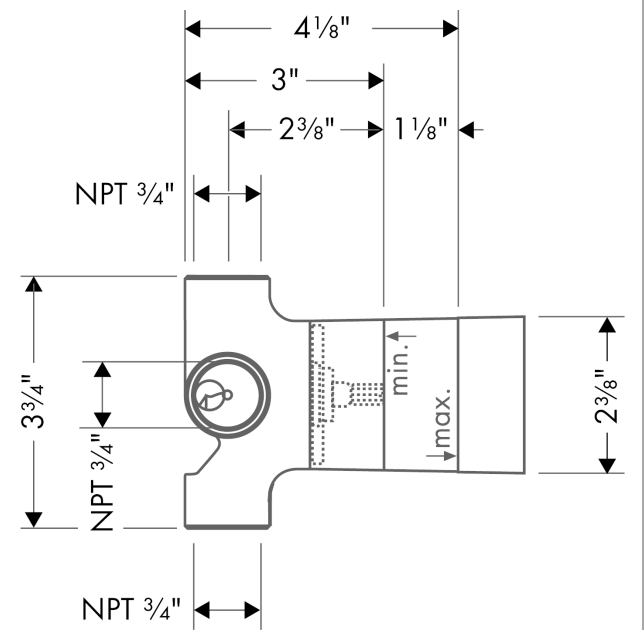
**Compliance**



**Product image**



**Scale drawing**

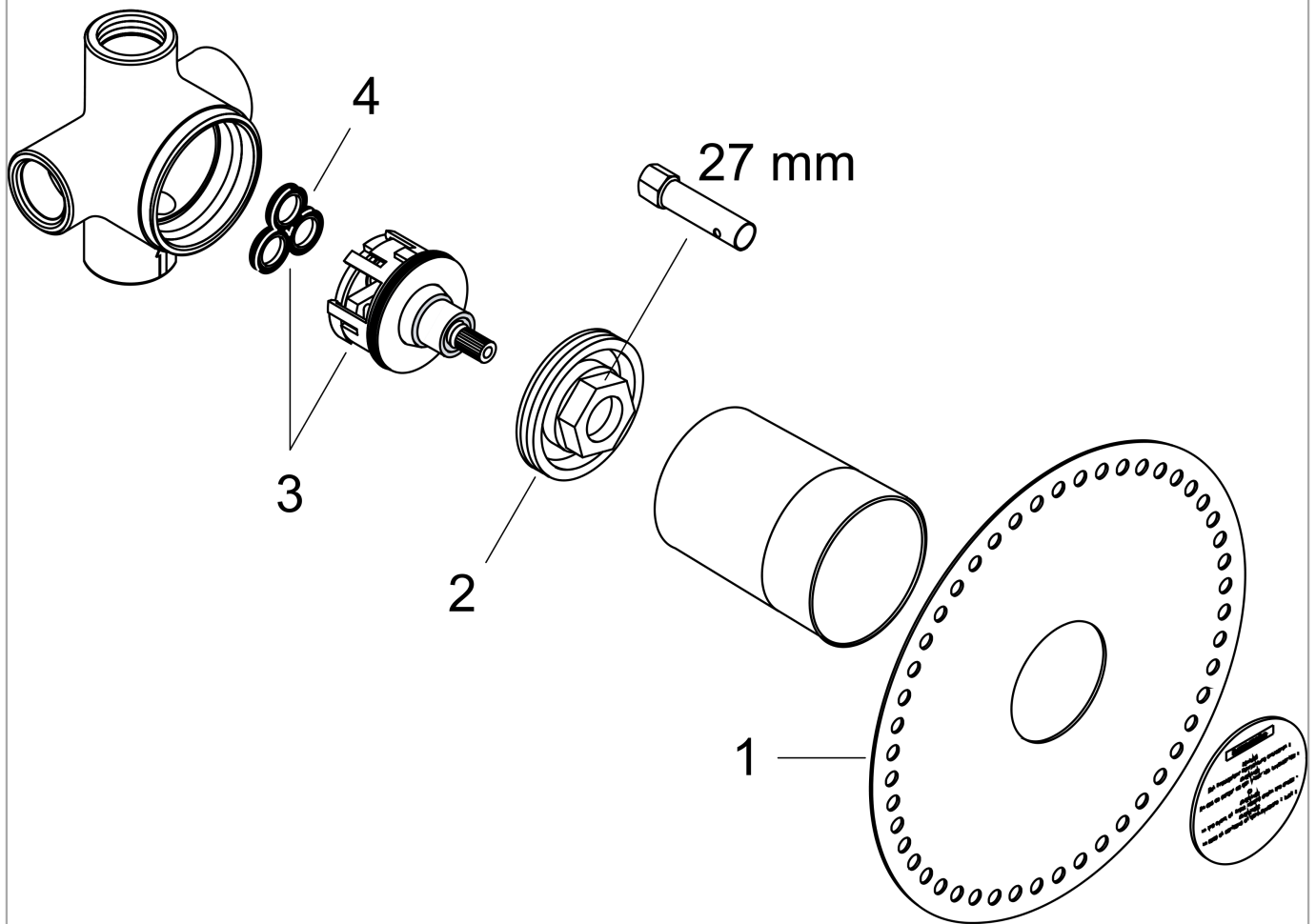


**Rough, Quattro 3-Way Diverter, 3/4"**  
 Finishes : n.a. Part no. : 15930181



Exploded drawing

Year of production: >09/09



**Rough, Quattro 3-Way Diverter, 3/4"**  
 Finishes : n.a. Part no. : **15930181**



## Spare parts list

Year of production: >09/09

Pos.	Description	Part no.	Price	PU
1	sealing foil	96493000	-	1
2	nut	97550000	-	1
3	diverter unit	96604000	-	1
4	sealing set	98798000	-	1
a	extension 25 mm	96370000	-	1