

570Z & 570S Series Sprinklers Installation Instructions

570 Series Sprinkler Specifications

Shrub Head Body (570S)

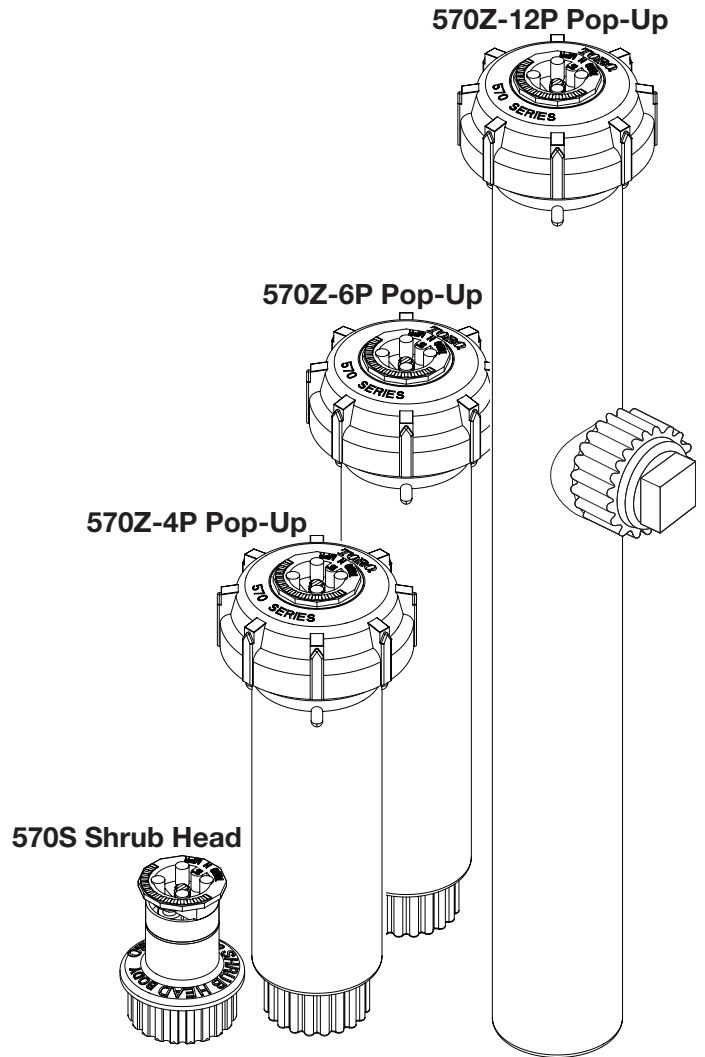
- Inlet: 1/2" I.P.S. Thread
- Maximum Working Pressure: 75 PSI
- Recommended Operating Range: 20–50 PSI

4" & 6" Pop-Up Body (570Z)

- Inlet: 1/2" I.P.S. Thread
- Height: 4 3/4" (4"), 7 1/8" (6")
- Pop-Up: 4", 6"
- Retraction: Positive Spring Retraction
- Maximum Working Pressure: 75 PSI
- Recommended Operating Range: 20–50 PSI
- Side-Inlet Option

12" Pop-Up Body (570Z)

- Inlet: 1/2" I.P.S. Thread
- Height: 16"
- Pop-Up: 12"
- Retraction: Positive Spring Retraction
- Maximum Working Pressure: 75 PSI
- Recommended Operating Range: 20–50 PSI
- Side-Inlet Option



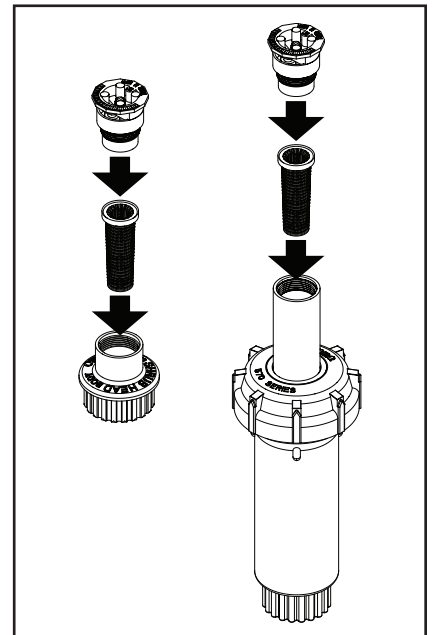
Nozzle Installation

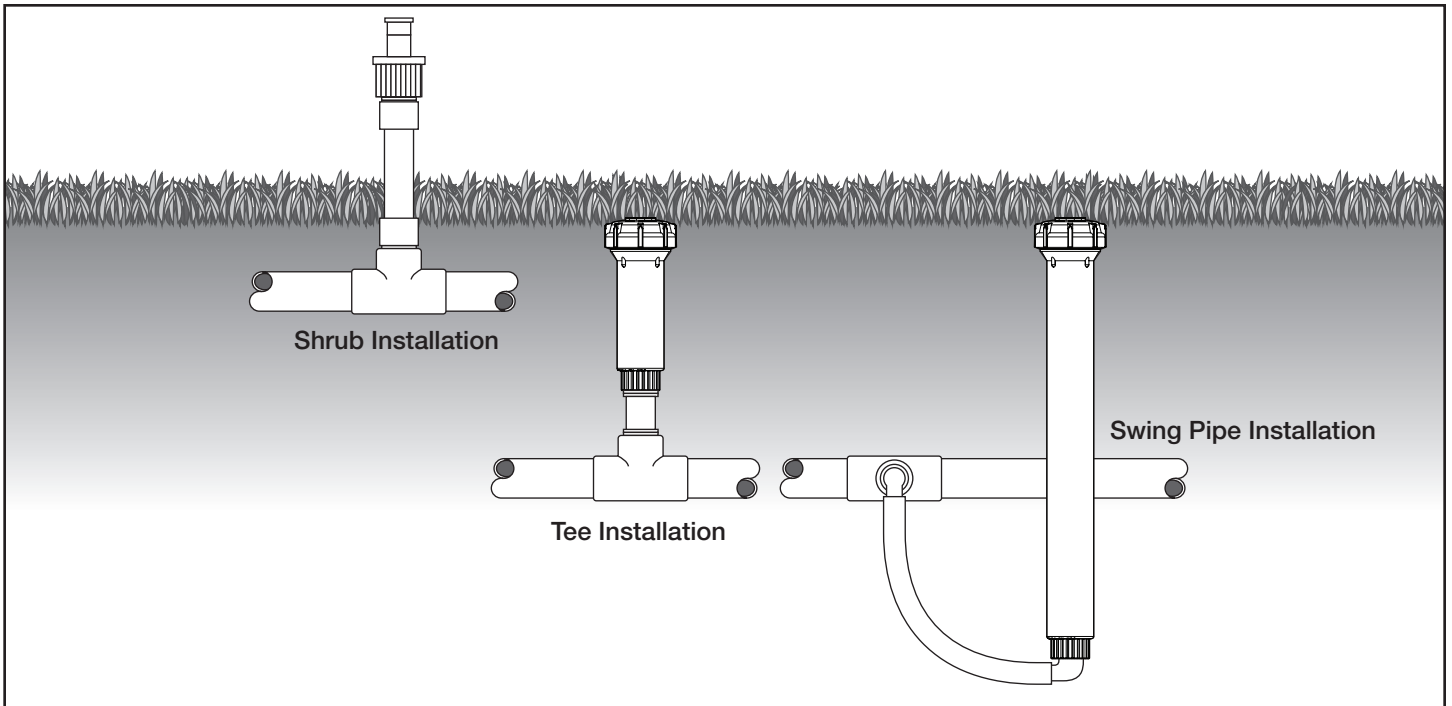
Shrub

1. If loose screen, place the filter screen, closed end first, into the shrub base. If integrated screen, drop the entire nozzle assembly into the riser.
2. Screw nozzle onto the shrub base and hand-tighten.

Pop-Up

1. With your little finger, reach down into the riser (threads) and pull up.
2. Grasp the riser above the cap firmly with your thumb and forefinger. Avoid using pliers which may damage the riser.
3. If loose screen, place the filter screen, closed end first, into the riser. If integrated screen, drop the entire nozzle assembly into the riser.
4. Screw the nozzle into the riser and hand-tighten.
5. Release the riser slowly to the fully retracted position.
6. If replacing the complete riser assembly (stem, spring and cap), align the keyways in the riser with the body and screw on the cap. Do not over tighten the cap on the body as removal will be necessary to properly align spray patterns and flush the system.





Sprinkler Installation

⚠ Caution: Use only PTFE tape to make threaded connections from riser or barbed ell to sprinkler body. Deterioration of plastic may occur if other sealing compounds are used.

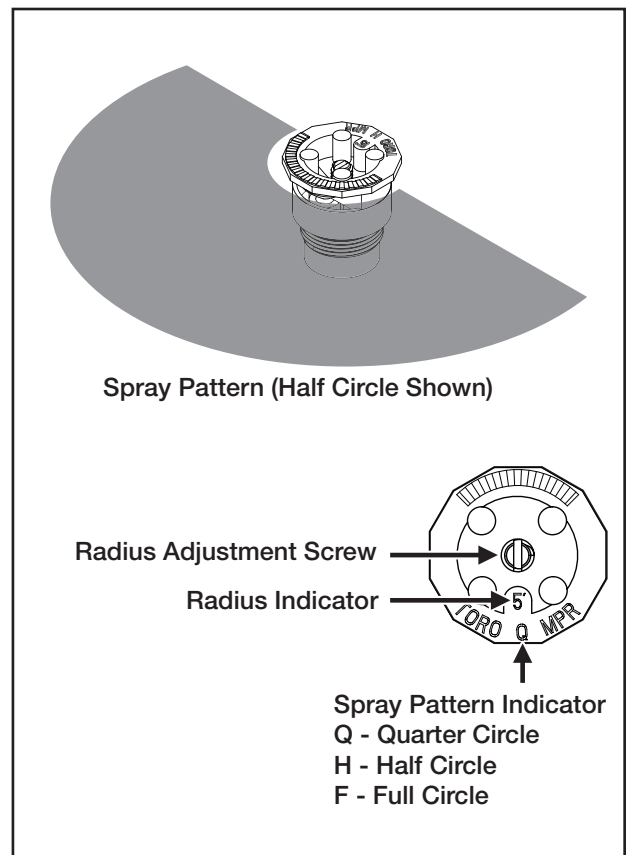
📝 Note: It is recommended that shrub and pop-up sprinklers be installed on polyethylene risers or barbed ell and thick walled poly pipe. The 12" high pop should be installed on a barbed ell and thick walled poly pipe to reduce trenching depth.

Shrub Sprinkler

1. Screw assembled shrub sprinkler securely onto PTFE taped riser and position the spray pattern indicator on nozzle with the intended coverage area for part circle models.

Pop-Up Sprinkler

1. Grasp the sprinkler by the body (not cap) and screw securely onto the PTFE taped riser or barbed ell. Do not over tighten, hand-tight is sufficient.
- 📝 Note:** The 570 Series pop-up sprinkler should be installed so that the top of the cap is level with the final finished grade (soil).
2. After all pop-up sprinkler heads have been installed, remove the cap and riser from each body. For shrubs, remove nozzle and filter screen.
 3. Flush the system with water until all dirt and debris has been removed.
 4. Reinstall all shrub nozzles, filter screens, riser and cap assemblies, positioning riser keyway of part circle models to properly align spray pattern with intended coverage area. For adjustable arc nozzles, turn the arc adjustment to the intended coverage area.
 5. Backfill the soil around the heads carefully, avoiding soil contact with the top of the cap.
 6. Turn on the water source to the system.
 7. Adjust the spray radius as necessary. This is accomplished by turning the slotted screw located on the top center of all nozzles.
 - A. To decrease radius (3' minimum), turn the adjustment screw clockwise. Precipitation rate and GPM will be reduced as well, depending upon working pressure of the system.
 - B. To increase the radius (15' maximum), turn the adjustment screw counterclockwise.



570 Nozzle Series

- Maximum Pressure: 75 PSI
- Recommended Operating Range: 20–50 PSI

570 MPR Nozzles – Standard

15' SERIES WITH 27° TRAJECTORY			
Part No.	Model No.	Description	Screen(s)
89-1769	15-Q	1/4 Circle	White
89-1768	15-T	1/3 Circle	White
89-1767	15-H	1/2 Circle	White
89-1766	15-TT	2/3 Circle	White
89-1765	15-TQ	3/4 Circle	White
89-1764	15-F	Full-circle	White

12' SERIES WITH 23° TRAJECTORY			
Part No.	Model No.	Description	Screen(s)
89-1775	12-Q	1/4 Circle	White
89-1774	12-T	1/3 Circle	White
89-1773	12-H	1/2 Circle	White
89-1772	12-TT	2/3 Circle	White
89-1771	12-TQ	3/4 Circle	White
89-1770	12-F	Full-circle	White

10' SERIES WITH 12° TRAJECTORY			
Part No.	Model No.	Description	Screen(s)
89-1781	10-Q	1/4 Circle	White
89-1780	10-T	1/3 Circle	White
89-1779	10-H	1/2 Circle	White
89-1778	10-TT	2/3 Circle	White
89-1777	10-TQ	3/4 Circle	White
89-1776	10-F	Full-circle	White

8' SERIES WITH 5° TRAJECTORY			
Part No.	Model No.	Description	Screen(s)
89-1787	8-Q	1/4 Circle	Red
89-1786	8-T	1/3 Circle	Red
89-1785	8-H	1/2 Circle	Red
89-1784	8-TT	2/3 Circle	Red
89-1783	8-TQ	3/4 Circle	Red
89-1782	8-F	Full-circle	Red

5' SERIES WITH 0° TRAJECTORY			
Part No.	Model No.	Description	Screen(s)
89-1793	5-Q	1/4 Circle	Red & Metal
89-1792	5-T	1/3 Circle	Red & Metal
89-1791	5-H	1/2 Circle	Red & Metal
89-1790	5-TT	2/3 Circle	Red & Metal
89-1789	5-TQ	3/4 Circle	Red & Metal
89-1788	5-F	Full-circle	Red & Metal

SPECIAL PATTERNS			
Part No.	Model No.	Description	Screen(s)
89-1796	4x30-SST	Side Strip, 4' x 30'	Red
89-1795	4x30-EST	End Strip, 4' x 15'	White
89-1794	4x30-CST	Center Strip, 4' x 30'	White
89-1797	9x18-SST	Side Strip, 9' x 18'	White
89-1798	4x18-SST	Side Strip, 4' x 18'	Red
89-1799	2x6-SST	Side Strip, 2' x 6'	Red & Metal

570 MPR Plus Nozzles – Press. Comp.

15' SERIES WITH 27° TRAJECTORY			
Part No.	Model No.	Description	Screen(s)
89-1416	15-Q-PC	1/4 Circle	White
89-1413	15-T-PC	1/3 Circle	White
89-1410	15-H-PC	1/2 Circle	White
89-1407	15-TT-PC	2/3 Circle	White
89-1404	15-TQ-PC	3/4 Circle	White
89-1401	15-F-PC	Full-circle	White

12' SERIES WITH 23° TRAJECTORY			
Part No.	Model No.	Description	Screen(s)
89-1434	12-Q-PC	1/4 Circle	White
89-1431	12-T-PC	1/3 Circle	White
89-1428	12-H-PC	1/2 Circle	White
89-1425	12-TT-PC	2/3 Circle	White
89-1422	12-TQ-PC	3/4 Circle	White
89-1419	12-F-PC	Full-circle	White

10' SERIES WITH 12° TRAJECTORY			
Part No.	Model No.	Description	Screen(s)
89-1452	10-Q-PC	1/4 Circle	White
89-1449	10-T-PC	1/3 Circle	White
89-1446	10-H-PC	1/2 Circle	White
89-1443	10-TT-PC	2/3 Circle	White
89-1440	10-TQ-PC	3/4 Circle	White
89-1437	10-F-PC	Full-circle	White

8' SERIES WITH 5° TRAJECTORY			
Part No.	Model No.	Description	Screen(s)
89-1470	8-Q-PC	1/4 Circle	Red
89-1467	8-T-PC	1/3 Circle	Red
89-1464	8-H-PC	1/2 Circle	Red
89-1461	8-TT-PC	2/3 Circle	Red
89-1458	8-TQ-PC	3/4 Circle	Red
89-1455	8-F-PC	Full-circle	Red

5' SERIES WITH 0° TRAJECTORY			
Part No.	Model No.	Description	Screen(s)
89-1488	5-Q-PC	1/4 Circle	Red & Metal
89-1485	5-T-PC	1/3 Circle	Red & Metal
89-1482	5-H-PC	1/2 Circle	Red & Metal
89-1479	5-TT-PC	2/3 Circle	Red & Metal
89-1476	5-TQ-PC	3/4 Circle	Red & Metal
89-1473	5-F-PC	Full-circle	Red & Metal

SPECIAL PATTERNS			
Part No.	Model No.	Description	Screen(s)
89-1503	4x30-SST-PC	Side Strip, 4' x 30'	Red
89-1500	4x30-EST-PC	End Strip, 4' x 15'	White
89-1497	4x30-CST-PC	Center Strip, 4' x 30'	White
89-1506	9x18-SST-PC	Side Strip, 9' x 18'	White
89-1509	4x18-SST-PC	Side Strip, 4' x 18'	Red
89-1512	2x6-SST-PC	Side Strip, 2' x 6'	Red & Metal

570 Stream Spray – Standard

10° STREAM SPRAY – STANDARD			
Part No.	Model No.	Description	Screen(s)
89-1803	10-SSF	Stream Spray, 360°	Red & Metal
89-1804	10-SSH	Stream Spray, 180°	Red & Metal
89-1805	10-SSQ	Stream Spray, 90°	Red & Metal

35° STREAM SPRAY – STANDARD			
Part No.	Model No.	Description	Screen(s)
89-1800	35-SSF	Stream Spray, 360°	Red & Metal
89-1801	35-SSH	Stream Spray, 180°	Red & Metal
89-1802	35-SSQ	Stream Spray, 90°	Red & Metal

570 Stream Spray – Pressure Comp.

10° STREAM SPRAY – PRESSURE COMPENSATING			
Part No.	Model No.	Description	Screen(s)
89-1519	10-SSF-PC	Stream Spray, 360°	Red & Metal
89-1521	10-SSH-PC	Stream Spray, 180°	Red & Metal
89-1547	10-SSQ-PC	Stream Spray, 90°	Red & Metal

35° STREAM SPRAY – PRESSURE COMPENSATING			
Part No.	Model No.	Description	Screen(s)
89-1491	35-SSF-PC	Stream Spray, 360°	Red & Metal
89-1493	35-SSH-PC	Stream Spray, 180°	Red & Metal
89-1495	35-SSQ-PC	Stream Spray, 90°	Red & Metal

570 Flat Spray – Standard

FLAT SPRAY – STANDARD			
Part No.	Model No.	Description	Screen(s)
35-2748	FSQ	Flat Spray, 90°	White
35-2747	FSH	Flat Spray, 180°	White
35-2746	FSF	Flat Spray, 360°	White
35-4245	FSQ-LG	Flat Spray, 90° Low GPM	Red & Metal
35-4246	FSH-LG	Flat Spray, 180° Low GPM	Red & Metal
35-4247	FSF-LG	Flat Spray, 360° Low GPM	Red & Metal

570 Flat Spray – Pressure Compensating

FLAT SPRAY – PRESSURE COMPENSATING			
Part No.	Model No.	Description	Screen(s)
35-7704	FSQ-PC	Flat Spray, 90°	White
35-7700	FSH-PC	Flat Spray, 180°	White
35-7698	FSF-PC	Flat Spray, 360°	White
35-7712	FSQ-LG-PC	Flat Spray, 90° Low GPM	Red & Metal
35-7708	FSH-LG-PC	Flat Spray, 180° Low GPM	Red & Metal
35-7706	FSF-LG-PC	Flat Spray, 360° Low GPM	Red & Metal

570 Flood Bubbler – Pressure Comp.

FLOOD BUBBLER – PRESSURE COMPENSATING			
Part No.	Model No.	Description	Screen(s)
89-1727	FB-25-PC	Flood Bubbler, .25 GPM	Red & Metal
89-1729	FB-50-PC	Flood Bubbler, .50 GPM	Red & Metal
89-1731	FB-100-PC	Flood Bubbler, 1.00 GPM	Red & Metal
89-1733	FB-200-ADJ-PC		

570 Stream Bubblers – Standard

STREAM BUBBLER NOZZLES			
Part No.	Model No.	Description	Screen(s)
89-1806	SB-90	1/4 Circle	White
89-1807	SB-180	1/2 Circle	White
89-1808	SB-360	Full-circle	White
89-1809	SB-2-180	1/2 Circle, 2 Stream	White
89-1810	SB-4-180	1/2 Circle, 4 Stream	White

570 Stream Bubblers – Pressure Comp.

STREAM BUBBLER NOZZLES			
Part No.	Model No.	Description	Screen(s)
89-7865	SB-90-PC2	1/4 Circle	White
89-7875	SB-180-PC2	1/2 Circle	White
89-7877	SB-360-PC2	Full-circle	White
89-7871	SB-2-180-PC2	1/2 Circle, 2 Stream	White
89-7873	SB-4-180-PC2	1/2 Circle, 4 Stream	White

570 Pressure Compensating Devices

PRESSURE COMPENSATING DEVICES			
Model No.	Description	Model No.	Description
PCD-.25	.25 GPM	PCD-1.4	1.4 GPM
PCD-.50	.50 GPM	PCD-2.0	2.0 GPM
PCD-.70	.70 GPM	PCD-3.0	3.0 GPM
PCD-1.0	1.0 GPM		

Variable Arc Nozzles (TVANs)

TORO ADJUSTABLE ARC NOZZLES	
Model No.	Description
TVAN-8	8' Variable Arc Pattern (Includes Screen)
TVAN-10	10' Variable Arc Pattern (Includes Screen)
TVAN-12	12' Variable Arc Pattern (Includes Screen)
TVAN-15	15' Variable Arc Pattern (Includes Screen)
TVAN-17	18' Variable Arc Pattern (Includes Screen)

WARNING: Cancer and Reproductive harm – www.P65Warnings.ca.gov
For more information, please visit www.toro.com/CAProp65.

Patent: www.ttcopats.com