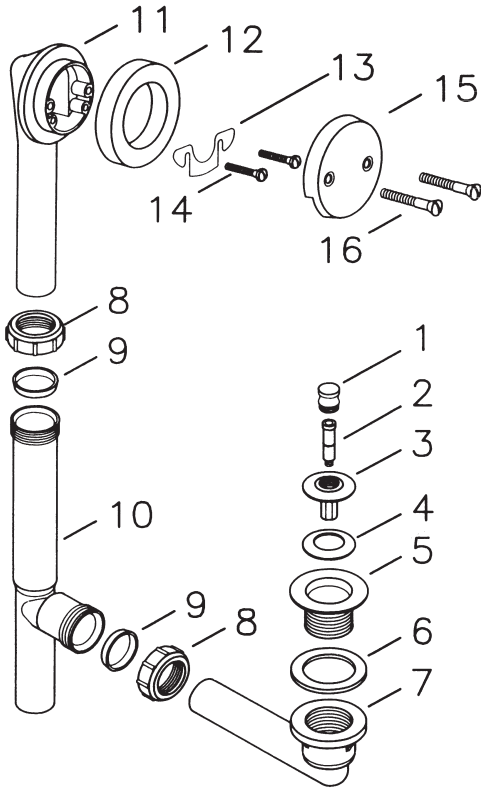


500/550 Series Parts List



Item	Part #	Description
1	01010CP	Knob, Brass
2	11584	Friction Ring (11504) and Post (11508)
3	01013CP	Stopper, Brass
4	11507	Seal, 1-1/16" dia.
5	01016CP	Strainer Body, Brass, 1.865" - 11.5 - 1.25"
6	10696	Drain Ell Washer, 1.5", gray
7	11028	Drain Ell, Tubular ABS, Coarse Thread
	14028	Drain Ell, Tubular PVC, Coarse Thread
8	11580	Slip Joint Nut, ABS
	11581	Slip Joint Nut, PVC
9	11583	Slip Joint Polywasher
10	11000	Tee, Tubular ABS
	14000	Tee, Tubular PVC
11	11003	Overflow Ell, Tubular ABS
	14003	Overflow Ell, Tubular PVC
12	10675	Overflow Ell Washer
13	11530	Retainer Plate
14	11540	Retainer Plate Screw
15	01003CP	2-Hole Overflow Plate, metal
16	01024CP	Overflow Plate Screw, 2.25"

TUB CLOSURES FOR 500/550-SERIES BATH WASTES (PUSH PULL® ALSO SHOWN ABOVE)

PUSH PULL®
Coarse Thread

- 01010CP
- 01010__*
- 11584
- 01013CP
- 01013__*
- 11507
- 01016CP
- 01016__*

LIFT & TURN
Coarse Thread

- 01010CP
- 01010__*
- 11079
- 11088
- 11290CP
- 01013__*
- 11507
- 11492CP
- 01016__*

PRESFLO®
Coarse Thread

- 11145CP
- 11145__*
- 11132
- 11060CP
- 11060__*
- 96039: Suction Cup for removing stopper

FOOT ACTUATED
Coarse Thread

- 38412-CP
- 38412-__*
- 11492-CP
- 01016-__*

*If finish other than Chrome is desired, please use this part number and indicate desired finish.

Finishes Available in the 500/550 Series:

Roughing-In Dimensions

Tub Closure:	PUSH PULL®	LIFT & TURN	PRESFLO®	FOOT ACT.
AP - Aged Pewter	•	•	•	
BB - Brushed Bronze	•	•	•	•
BN - Brushed Nickel	•	•	•	•
BO - Bone	•	•		
BS - Biscuit	•	•		
BZ - Oil-Rubbed Bronze	•	•	•	•
CB - Chrome Brushed	•	•	•	•
CP - Chrome Plated	•	•	•	•
NP - Nickel Polished	•	•	•	•
PB - Polished Brass	•	•	•	•
WH - White	•	•		•
WI - Wrought Iron	•	•	•	•

