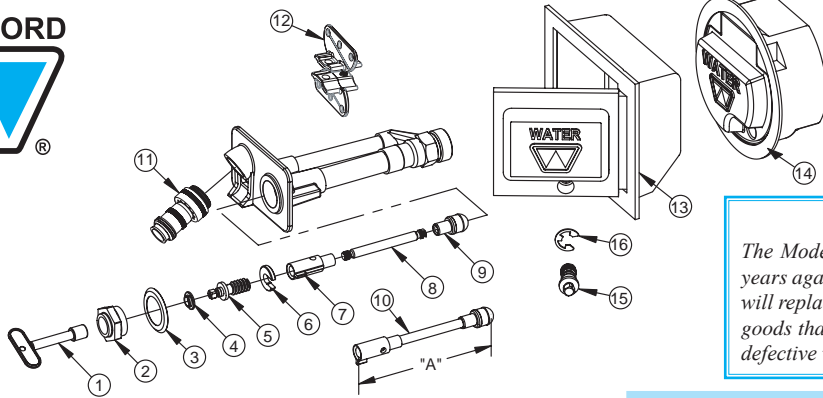




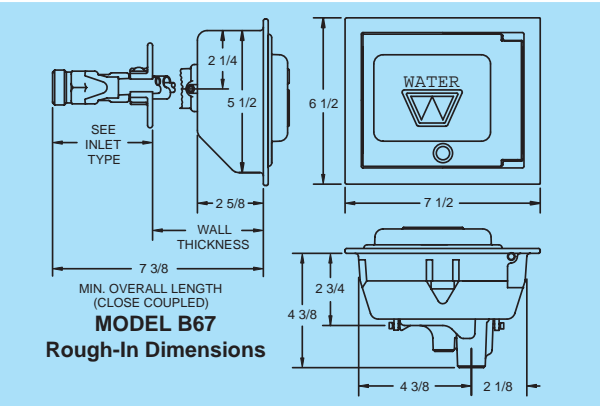
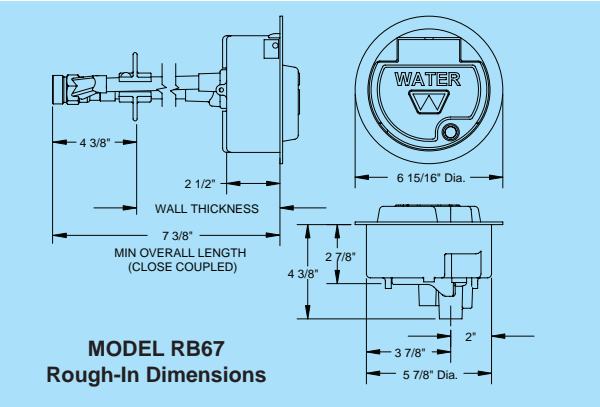
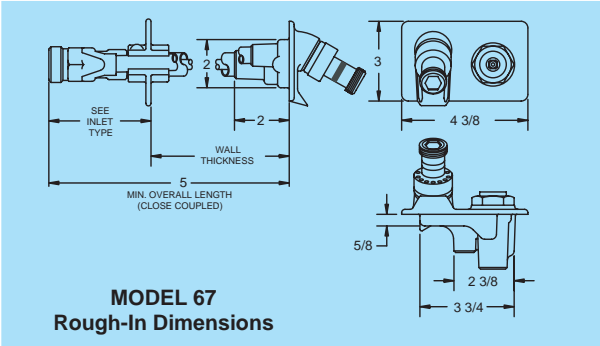
Woodford
Excellence
 Since 1929
 Proudly Made In The U.S.A.



LIMITED WARRANTY
 The Model 67 is sold with a limited warranty for five years against defects in material and workmanship. We will replace or issue credit (at our option) for defective goods that are returned for inspection and found to be defective within five years of purchase from Woodford.

MODEL 67/B67/RB67 PARTS LIST

ITEM	PART #	DESCRIPTION
1	50009	Tee Key
	50010	Long Tee Key (Box Models)
2	50264	Head Nut – chrome
	50265	Head Nut – brass
3	50584	I.D. RING
4	50252	Stem Washer
5	55062	Stem Screw
6	50251	“C” washer
7	51014	Yoke Nut
8	Operating Rod (Sold As Item 10 Only)	
9	50250	Plunger
10	554XX	Operating Rod Assembly (Includes Items 7,8,9) (Select required assembled length from table below)
11	50HA-CH	NIDEL® 50HA Backflow Preventer – chrome
	50HA-BR	NIDEL® 50HA Backflow Preventer – brass
12	55063	Wall Clamp Assembly
13	67BX	Box/Door Assembly – Chrome
	67BX-BR	Box/Door Assembly - Brass
	67BX-PB	Box/Door Assembly – Polished Brass
	67BX-AL	Box/Door Assembly – Aluminum
14	RB67BX	Round Box/Door Assembly - Chrome
	RK-65	Chrome Repair Kit (Includes Items 1, 2, 4-7 & 9)
15	51117	Door Lock Screw - Chrome
	51116	Door Lock Screw - Brass
16	51120	E-Ring



Item 10 - Operating Rod Assy. "A"

Wall Thickness	Length	Part No.
67	B67/RB67	
CC	CC	3 1/2" 55401
N/A	4	4 1/2" 55402
4	6	6 1/2" 55404
6	8	8 1/2" 55406
8	10	10 1/2" 55408
10	12	12 1/2" 55410
12	14	14 1/2" 55412
14	16	16 1/2" 55414
16	18	18 1/2" 55416
18	20	20 1/2" 55418
20	22	22 1/2" 55420
22	24	24 1/2" 55422
24	N/A	26 1/2" 55424

Manufactured under one or more of the following patents:
 U.S. Patents:
 3,414,001
 4,178,956
 4,316,481
 4,532,954
 8,042,565 B2
 D216,790
 D216,791
 D277,365
 D277,366
 Canada Patents:
 852,529
 865,995
 1,146,438

Wall Thickness (Inch)	CC	4	6	8	10	12	14	16	18	20	22	24
Overall Length - Hydrant	5	8	10	12	14	16	18	20	22	24	26	28
Overall Length - Box Models	7 3/8	8 3/8	10 3/8	12 3/8	14 3/8	16 3/8	18 3/8	20 3/8	22 3/8	24 3/8	26 3/8	28 3/8
Shipping Wt. (Lbs)**	3.8	4.4	4.8	5.2	5.6	6	6.4	6.8	7.2	7.6	8	8.4

** Add 8.3 Lbs. for brass box models.
 ** Add 2.5 Lbs. for aluminum box models.

NOTE: Close Coupled Models are not recommended for use in freezing climates and cannot use wall clamp.

For more information contact...
WOODFORD MANUFACTURING COMPANY

2121 Waynoka Road, Colorado Springs, Colorado 80915 • Phone: (800) 621-6032 • Fax: (800) 765-4115
 To view our complete product line visit: www.woodfordmfg.com or email: sales@woodfordmfg.com