

**Part No:** 1403-005

**Inserts**

**Tee**

**Desc:** 1/2 PVC INSERT TEE INSERTXMPT

**MSRP:** 3.23

**Part Code:** 140

**Weight(lbs):** 0.044

**Weight(kg):** 0.02

**Weight(gm):** 20

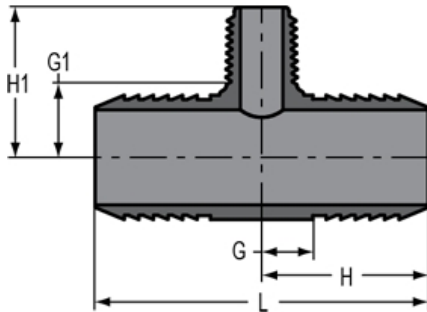
**Size:** 1/2"

**Color:** GRAY

**Material:** PVC

**Connection** Insert x Insert x Mipt

**Type** Standard



**G** = 9/16

**G1** = 21/32

**H** = 2- 1/16

**H1** = 1- 9/32

**L** = 4- 1/8

## Injection Molded Dimension References:

**G** = (LAYING LENGTH) intersection of center lines to bottom of socket/thread; 90° elbows, tees, crosses; ± 1/32 inch.

**H** = Intersection of center lines to face of fitting; 90° elbows tees, crosses; ± 1/32 inch.

**J** = Intersection of center lines to bottom of socket/thread; 45° elbows; ± 1/32 inch

**L** = Overall length of fittings; ± 1/16 inch.

**M** = Outside diameter of socket/thread hub; ± 1/16 inch.

**N** = Socket bottom to socket bottom; couplings; ± 1/16 inch.

**W** = Height of cap; ± 1/16 inch

## Typical Molded Dimension References

