

Features

- Brass construction.
- MasterClean™ spray nozzles prohibit mineral build-up.
- Complements Loure Suite.
- Push button diverter.
- Requires a Rite-Temp® valve.

Required Accessories

K-11748 Series Rite-Temp® Valves

Optional Accessories

1139260 Deep Rough-In Kit



Codes/Standards




ASME A112.18.1/CSA B125.1
ASSE 1016

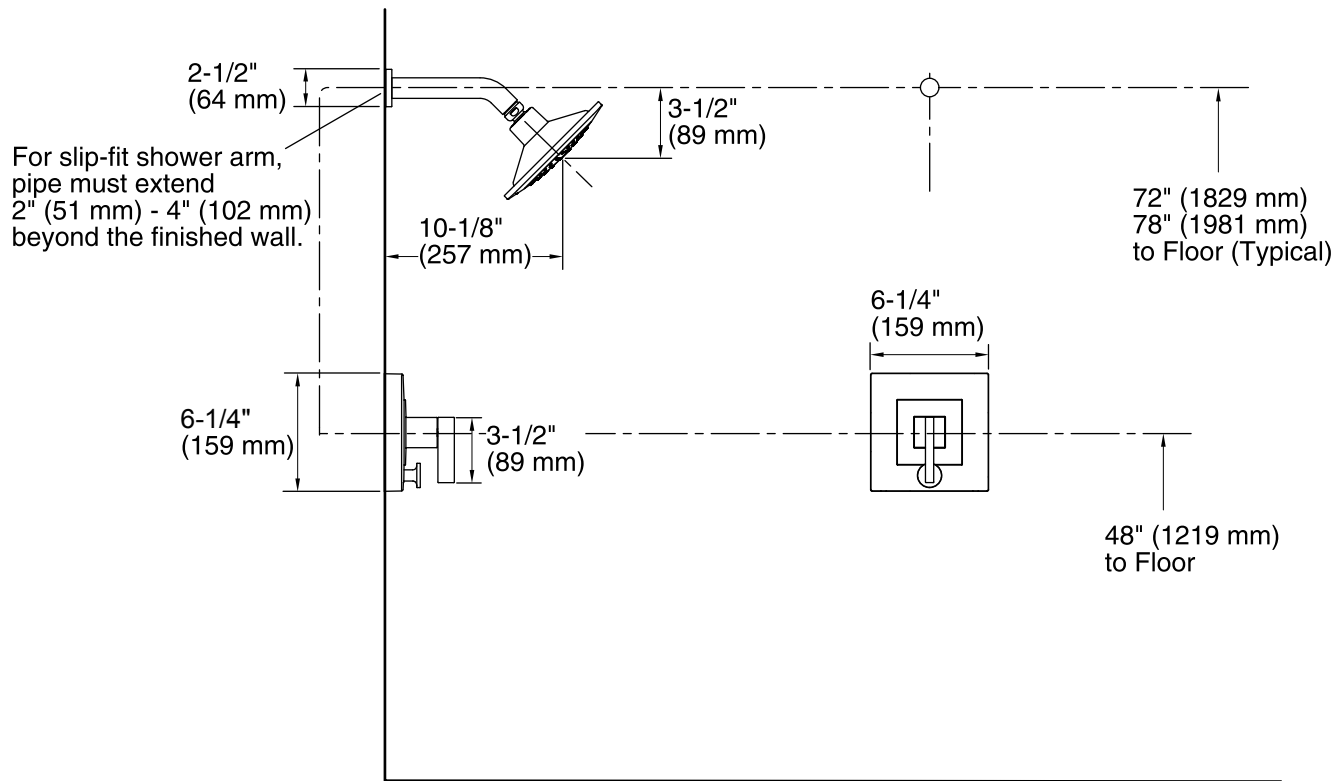
KOHLER® Faucet Lifetime Limited Warranty

See website for detailed warranty information.

Available Color/Finishes

Color tiles intended for reference only.

Color	Code	Description
	CP	Polished Chrome
	SN	Vibrant® Polished Nickel
	BN	Vibrant® Brushed Nickel



Technical Information

All product dimensions are nominal.

Notes

Install this product according to the installation guide.

Avoid cross-flow conditions. Do not install a shut-off device on either valve outlet.