

Features

- High-arch non-diverter spout with slip-fit connection.
- Stationary spout.

Material

- Metal construction.

Installation

- Deck-mount

Required Accessories

K-300-K High Flow Bath Valve

or

K-300-KR High Flow Valve w/ Rigid Connections

or

K-301-K ¾" High-Flow Bath Valve

Optional Accessories

73444 Roughing-in Kit for 1/2" Valve Systems

1086701 Roughing-in Kit for 3/4" Valve Systems



ADA **CSA B651** **OBC**

Codes/Standards

ASME A112.18.1/CSA B125.1

ADA

ICC/ANSI A117.1

CSA B651

OBC



KOHLER® Faucet Lifetime Limited Warranty

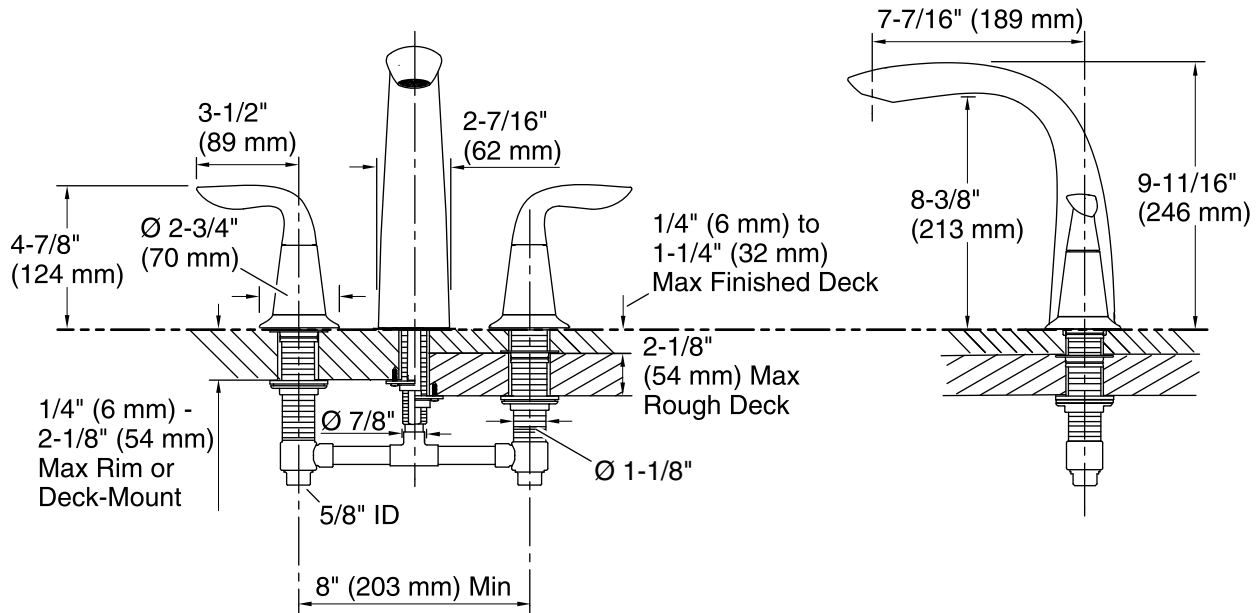
See website for detailed warranty information.

Available Color/Finishes

Color tiles intended for reference only.

Color Code Description

| | | |
|--|----|-------------------------|
|  | CP | Polished Chrome |
|  | BN | Vibrant® Brushed Nickel |



**Rim or Deck-Mount
Installation**

**Rough + Finished
Deck-Mount Installation**

Technical Information

All product dimensions are nominal.

Notes

Install this product according to the installation guide.

ADA, OBC, CSA B651 compliant when installed to the specific requirements of these regulations.