



PureFlo™
ABS Adapter Kit
K-37388

Features

- Creates a solvent weld joint between PureFlo PVC cable drain and ABS fittings.
- 2-11/16" (68 mm) x 2-3/8" (60 mm)

Material

- PVC construction.

Components

Additional included component/s: ABS fittings, PVC fittings, and O-ring seal.

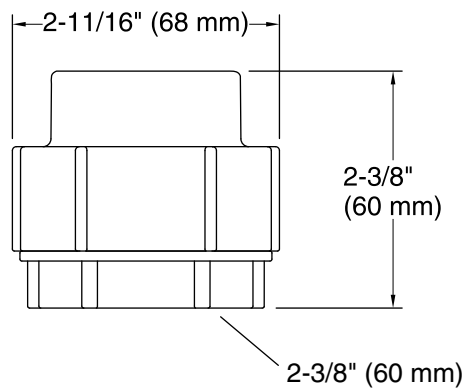
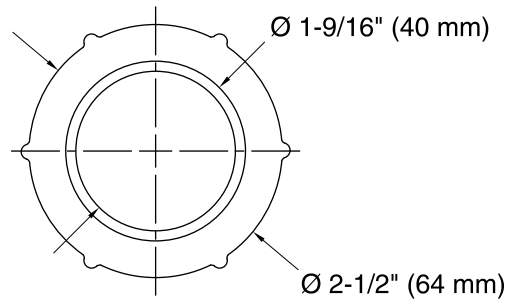


Codes/Standards

None Applicable

KOHLER® One-Year Limited Warranty

See website for detailed warranty information.



Technical Information

All product dimensions are nominal.

Notes

Install this product according to the installation guide.

Pressurize drain, water, and vent (DWV) systems and water supply lines according to local codes.

Perform the pressure test prior to covering the new plumbing with finished wall material.