

## Features

- KOHLER finishes resist corrosion and tarnish.
- Removable strainer plate for easy cleaning.
- 2-inch NPT connection.

## Material

- Solid brass construction.



## Codes/Standards

ASME A112.18.2/CSA B125.2

## KOHLER® One-Year Limited Warranty

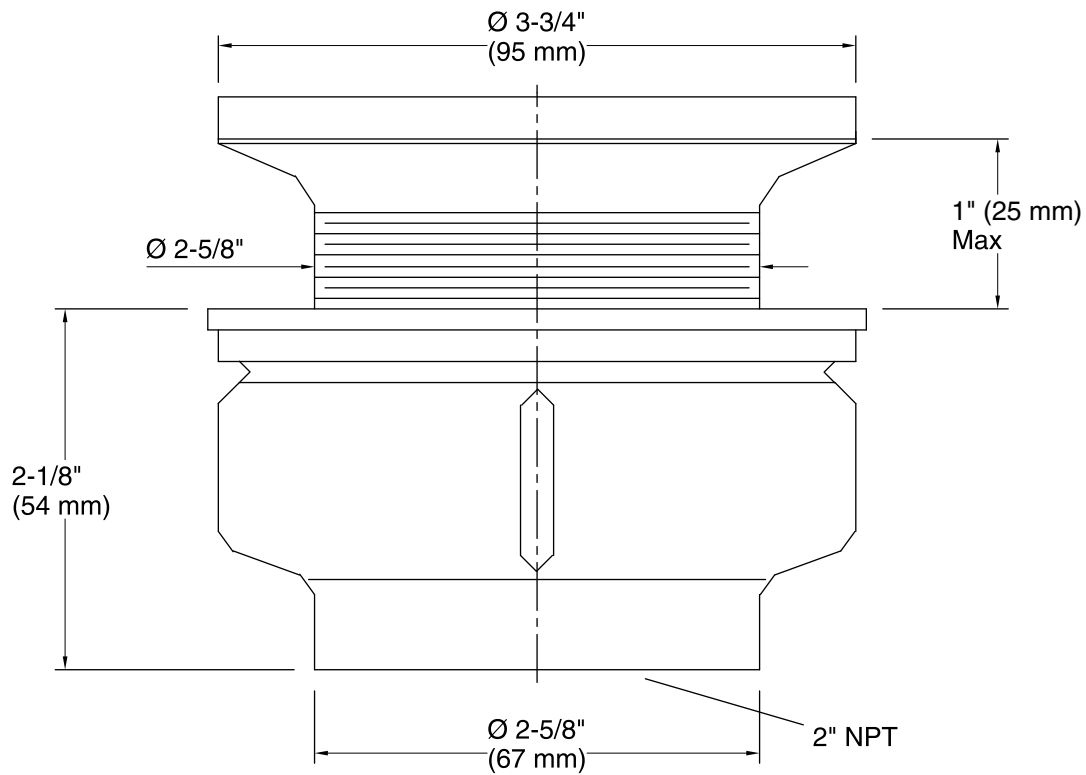
See website for detailed warranty information.

## Available Color/Finishes

*Color tiles intended for reference only.*

Color	Code	Description
-------	------	-------------

	CP	Polished Chrome
--	----	-----------------



### Technical Information

All product dimensions are nominal.

### Notes

Install this product according to the installation guide.