



T&S BRASS AND BRONZE WORKS, INC.

2 Saddleback Cove / P.O. Box 1088
Travelers Rest, SC 29690

Model No.

B-0250-BRASS

Item No.

Travelers Rest, SC: 800-476-4103 • Simi Valley, CA: 800-423-0150 • Fax: 864-834-3518 • www.tsbrass.com



ADA Compliant

This Space for Architect/Engineer Approval

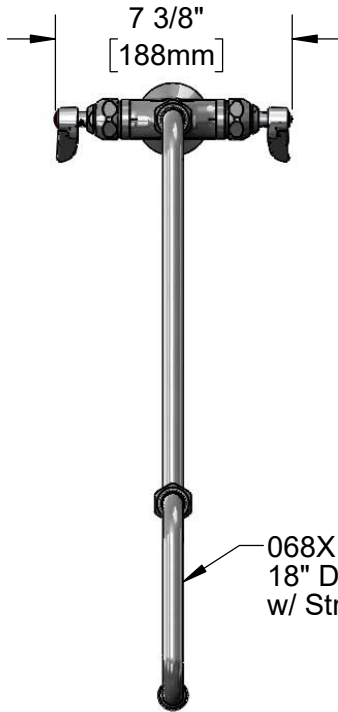
Job Name _____ Date _____

Model Specified _____ Quantity _____

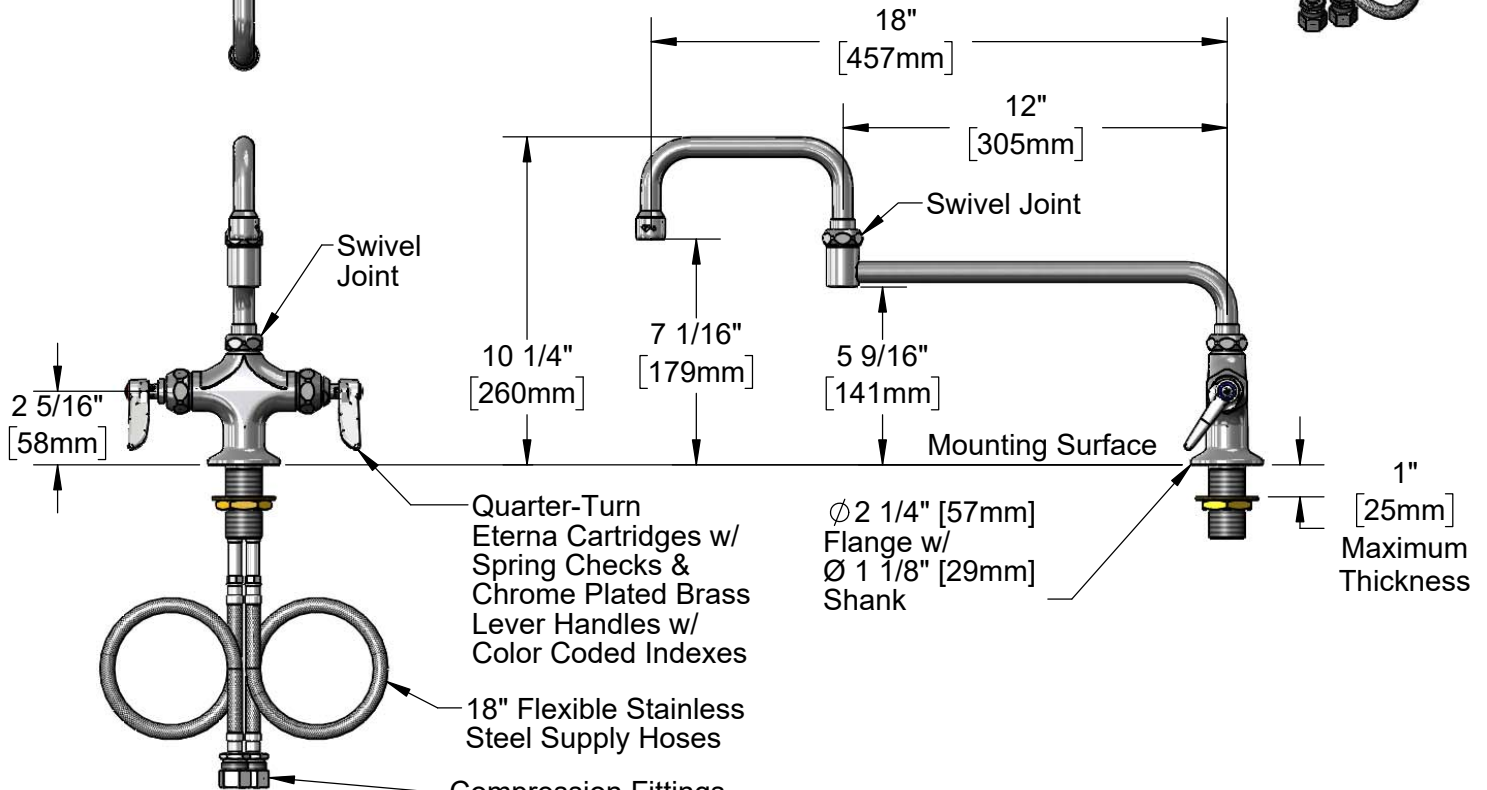
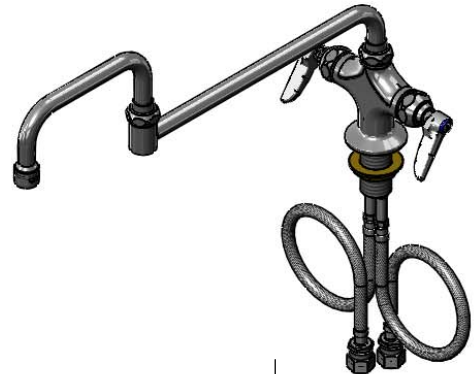
Customer/Wholesaler _____

Contractor _____

Architect/Engineer _____



068X
18" Double Joint Swing Nozzle
w/ Stream Regulator Outlet



Rough-In Requirement:
Ø 1 1/2" [38mm] Mounting Hole

Compression Fittings
for 5/8" O.D. Copper Tubing
(Remove Compression Nut
for 1/2" NPSM Male)

Product Specifications:

Single Hole Deck Mount Mixing Faucet, Quarter-Turn Eterna Cartridges w/ Spring Checks, Chrome Plated Brass Lever Handles, 18" Double Joint Swing Nozzle & Flexible Stainless Steel Supply Hoses

Product Compliance:

ASME A112.18.1 / CSA B125.1
NSF 61 - Section 9
NSF 372 (Low Lead Content)
ANSI A117.1 (ADA)



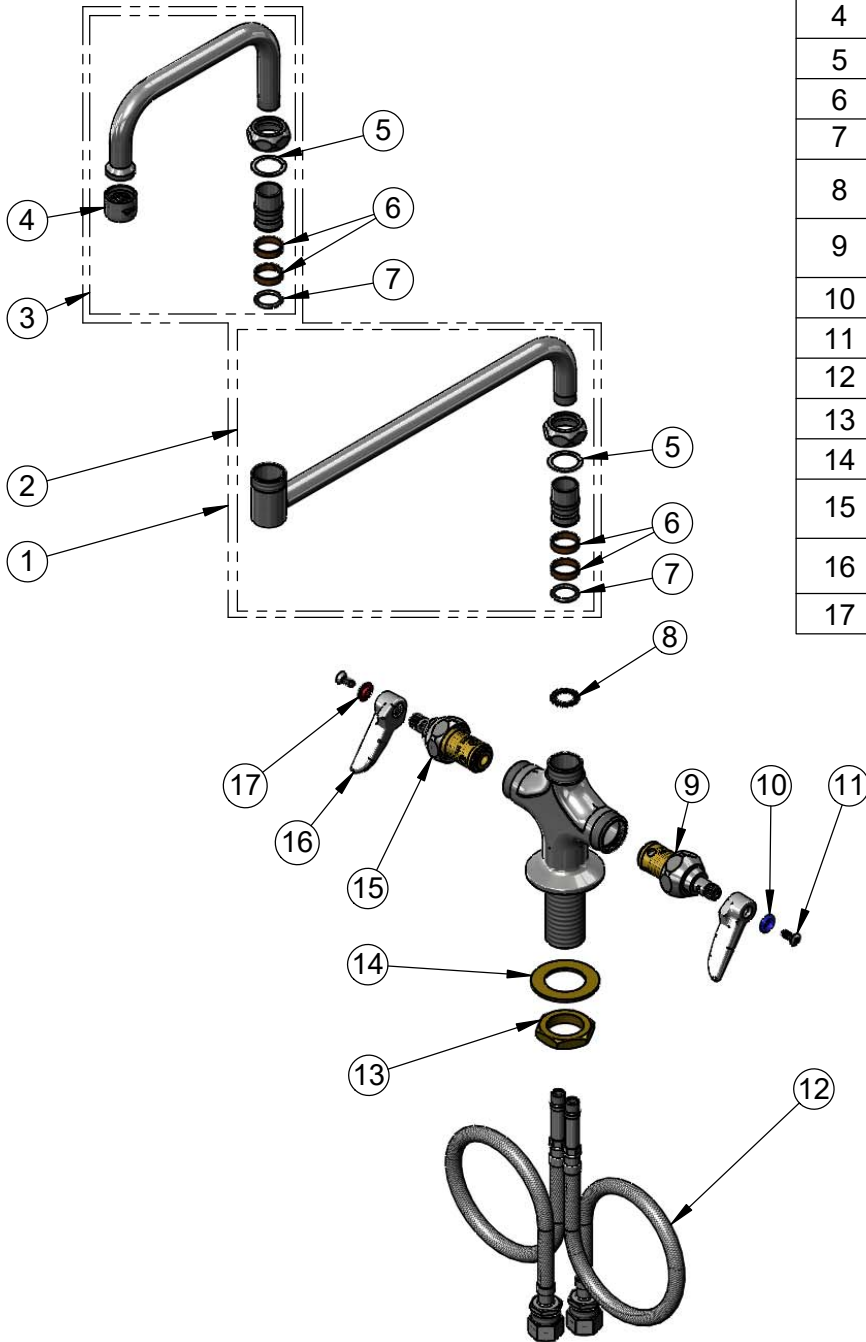
T&S BRASS AND BRONZE WORKS, INC.
 2 Saddleback Cove / P.O. Box 1088
 Travelers Rest, SC 29690

Model No.
B-0250-BRASS

Item No.

Travelers Rest, SC: 800-476-4103 • Simi Valley, CA: 800-423-0150 • Fax: 864-834-3518 • www.tsbrass.com

| ITEM NO. | SALES NO. | DESCRIPTION |
|----------|-------------|--|
| 1 | 068X | 18" Double Joint Swing Nozzle |
| 2 | 002871-40 | 12" Back Section |
| 3 | 153X | 6" Front Section |
| 4 | B-PT | Stream Regulator Outlet |
| 5 | 009538-45 | Swivel Washer |
| 6 | 011429-45 | Swivel Sleeves (2) |
| 7 | 001074-45 | O-Ring |
| 8 | 014200-45 | Star Washer, Anti-Rotation |
| 9 | 012442-40NS | Quarter-Turn Eterna Cartridge w/ Spring Check, LTC |
| 10 | 001660-45 | Blue Index-CW |
| 11 | 000922-45 | Lever Handle Screw |
| 12 | 012534-45 | 18" Flexible Supply Hose (2) |
| 13 | 000965-45 | Lock Nut |
| 14 | 002290-45 | Lock Washer |
| 15 | 012443-40NS | Quarter-Turn Eterna Cartridge w/ Spring Check, RTC |
| 16 | 010027-40 | Solid Brass Chrome Plated Lever Handle |
| 17 | 001661-45 | Red Index-HW |



Product Specifications:
 Single Hole Deck Mount Mixing Faucet, Quarter-Turn Eterna Cartridges w/ Spring Checks, Chrome Plated Brass Lever Handles, 18" Double Joint Swing Nozzle & Flexible Stainless Steel Supply Hoses

Product Compliance:
 ASME A112.18.1 / CSA B125.1
 NSF 61 - Section 9
 NSF 372 (Low Lead Content)
 ANSI A117.1 (ADA)