



T&S BRASS AND BRONZE WORKS, INC.

2 Saddleback Cove / P.O. Box 1088
Travelers Rest, SC 29690

Model No.

B-0300-WH4

Item No.

Travelers Rest, SC: 800-476-4103 • Simi Valley, CA: 800-423-0150 • Fax: 864-834-3518 • www.tsbrass.com



ADA Compliant

This Space for Architect/Engineer Approval

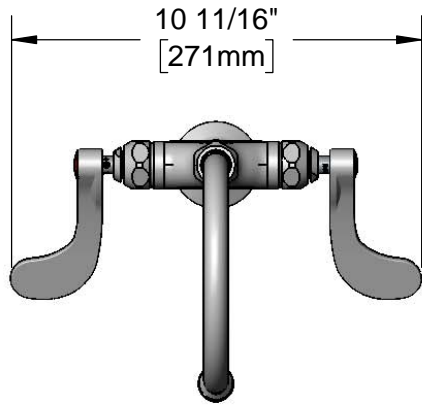
Job Name _____ Date _____

Model Specified _____ Quantity _____

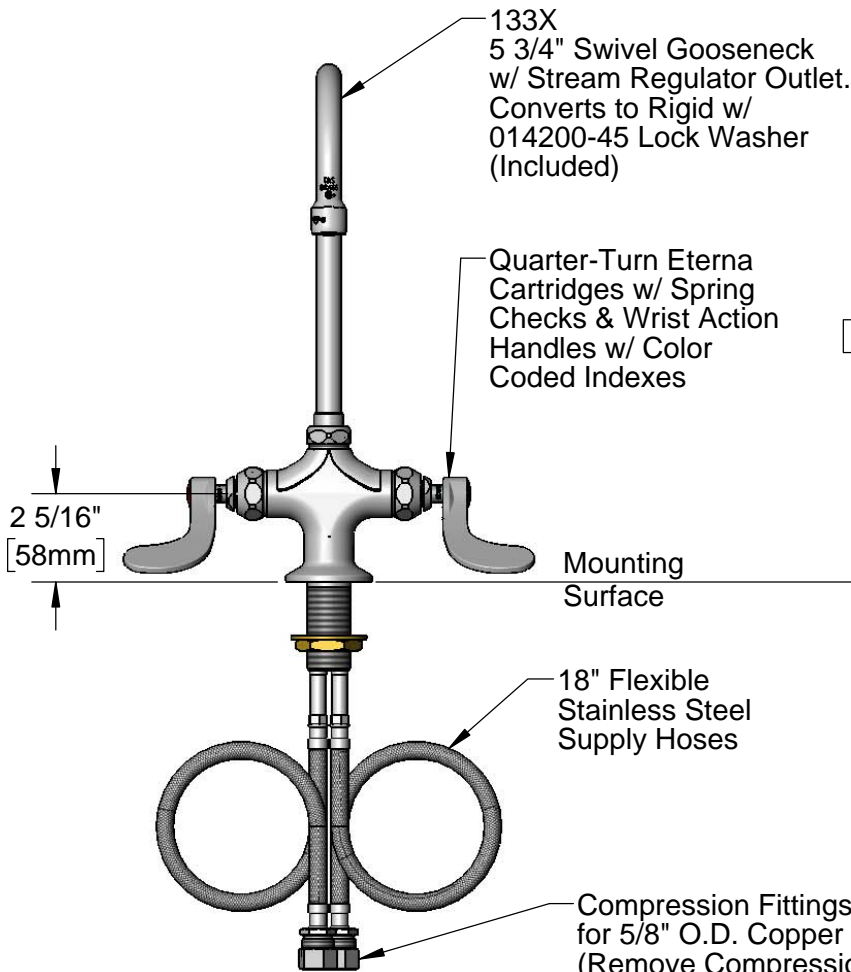
Customer/Wholesaler _____

Contractor _____

Architect/Engineer _____



10 11/16"
[271mm]



133X
5 3/4" Swivel Gooseneck
w/ Stream Regulator Outlet.
Converts to Rigid w/
014200-45 Lock Washer
(Included)

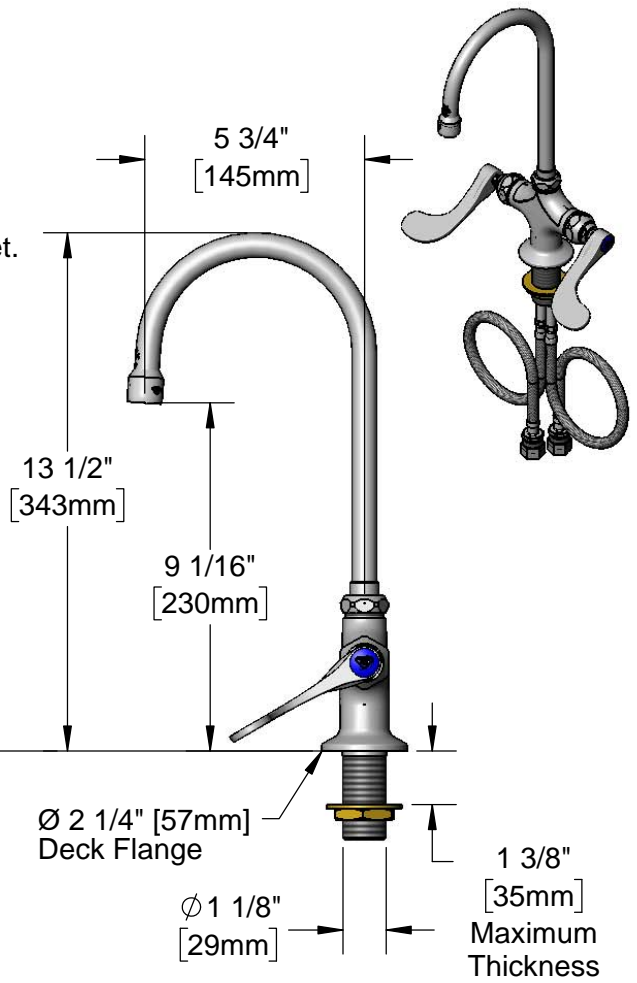
Quarter-Turn Eterna
Cartridges w/ Spring
Checks & Wrist Action
Handles w/ Color
Coded Indexes

2 5/16"
[58mm]

Mounting
Surface

18" Flexible
Stainless Steel
Supply Hoses

Compression Fittings
for 5/8" O.D. Copper Tubing
(Remove Compression Nut
for 1/2" NPSM Male)



5 3/4"
[145mm]

13 1/2"
[343mm]

9 1/16"
[230mm]

Ø 2 1/4" [57mm]
Deck Flange

Ø 1 1/8"
[29mm]

1 3/8"
[35mm]
Maximum
Thickness

Rough-In Requirement:
Ø 1 1/2" [38mm] Mounting Hole

Product Specifications:

Single Hole Deck Mount Mixing Faucet, Quarter-Turn Eterna Cartridges w/ Spring Checks, 4" Wrist Action Handles, 5 3/4" Swivel/Rigid Gooseneck & 18" Flexible Stainless Steel Supply Hoses w/ 1/2" NPSM Male Inlets

Product Compliance:

ASME A112.18.1 / CSA B125.1
NSF 61 - Section 9
NSF 372 (Low Lead Content)
ANSI A117.1 (ADA)

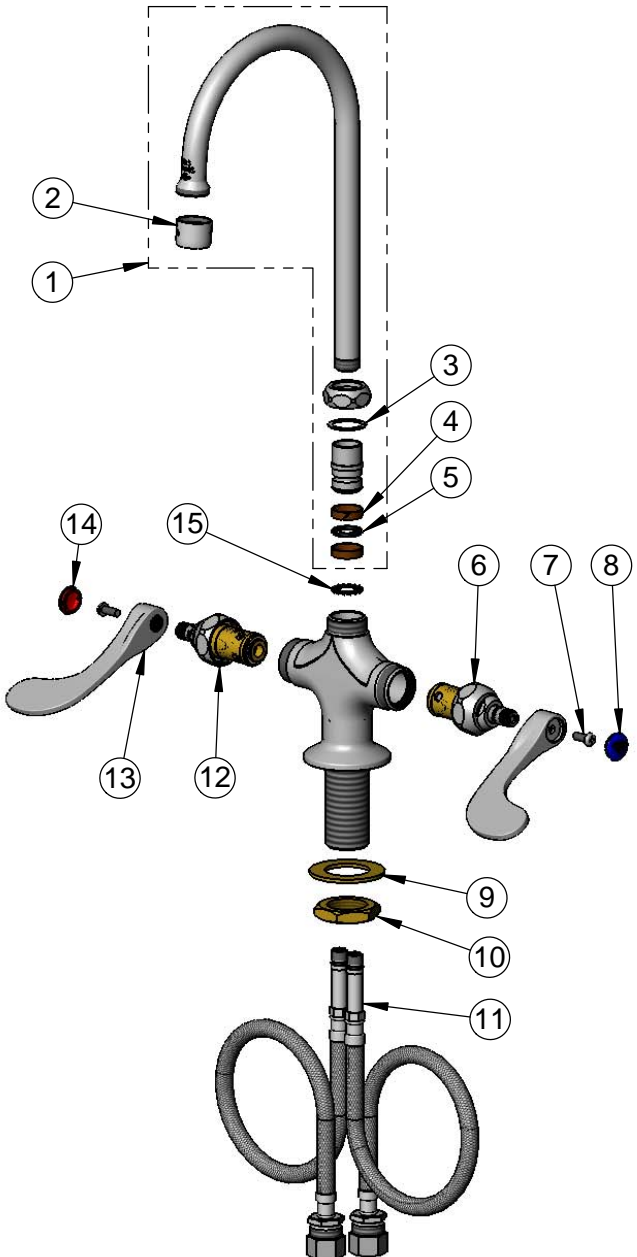


T&S BRASS AND BRONZE WORKS, INC.
 2 Saddleback Cove / P.O. Box 1088
 Travelers Rest, SC 29690

Model No.
B-0300-WH4

Item No.

Travelers Rest, SC: 800-476-4103 • Simi Valley, CA: 800-423-0150 • Fax: 864-834-3518 • www.tsbrass.com



ITEM NO.	SALES NO.	DESCRIPTION
1	133X	5 3/4" Swivel Gooseneck
2	B-PT	Full Flow Stream Regulator, 55/64-27
3	009538-45	Swivel Washer
4	011429-45	Swivel Sleeves (2)
5	001074-45	O-Ring
6	012395-25NS	Quarter-Turn Cerama Cartridge w/ Check Valve, LTC
7	000925-45	Lab Handle Screw
8	018506-19NS	Blue Button Index, Press-in
9	002290-45	Lock Washer
10	000965-45	Lock Nut
11	012534-45	18" Flexible Supply Hose (2)
12	012395-25NS	Quarter-Turn Cerama Cartridge w/ Check Valve, RTC
13	B-WH4-NS	Wrist Action Handle (New Style)
14	001193-19NS	Red Button Index, Press-in
15	014200-45	Star Washer, Anti-Rotation

Product Specifications:

Single Hole Deck Mount Mixing Faucet, Quarter-Turn Eterna Cartridges w/ Spring Checks, 4" Wrist Action Handles, 5 3/4" Swivel/Rigid Gooseneck & 18" Flexible Stainless Steel Supply Hoses w/ 1/2" NPSM Male Inlets

Product Compliance:

ASME A112.18.1 / CSA B125.1
 NSF 61 - Section 9
 NSF 372 (Low Lead Content)
 ANSI A117.1 (ADA)