



# Medical Bedpan Washers

## B-0680

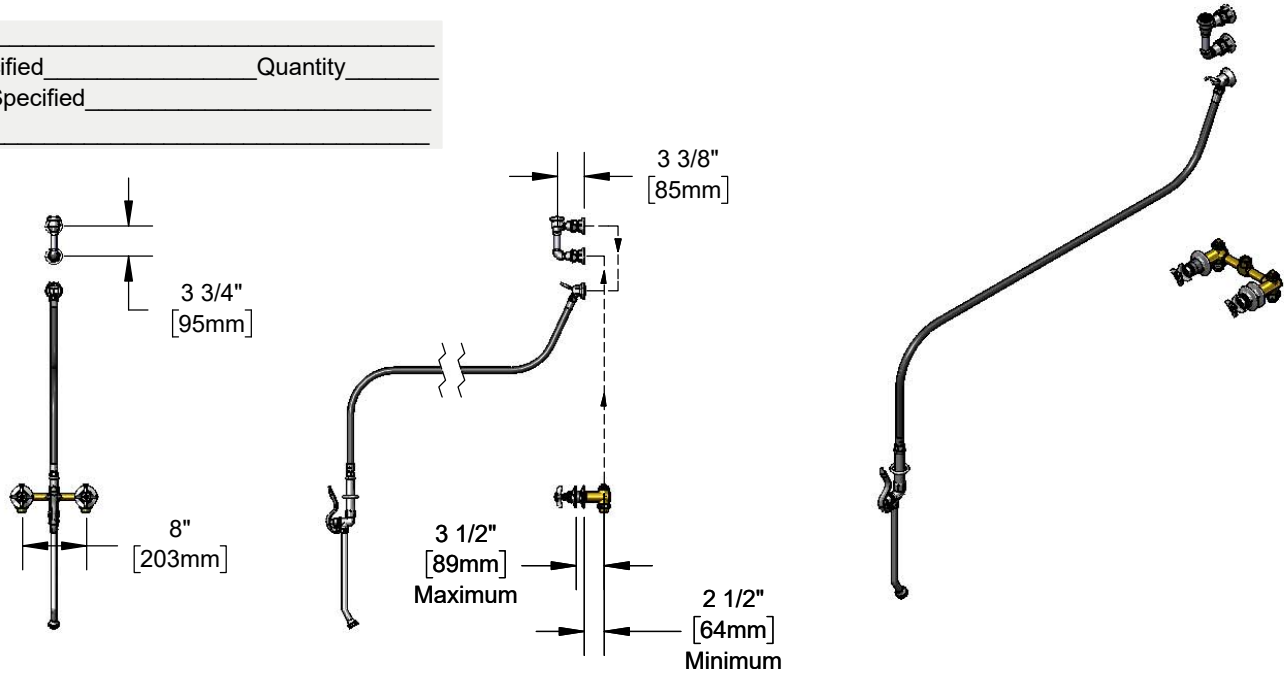
TAG:

### Bedpan Washer

#### Architect/Engineering Specifications:

8" concealed bypass mixing valve with brass body and polished chrome plated adjustable wall flanges and sleeves, 1/2" NPT female outlet, compression cartridges with spring checks, 4-arm handles, atmospheric vacuum breaker, polished chrome plated brass wall outlet, 68" PVC reinforced hose with spray valve and extended spray nozzle. Certified to ASME A112.18.1/CSA B125.1, NSF 61-section 9, NSF 372 and ASSE 1001.

Job Name \_\_\_\_\_  
 Model Specified \_\_\_\_\_ Quantity \_\_\_\_\_  
 Variations Specified \_\_\_\_\_  
 Date \_\_\_\_\_



#### Features & Benefits:

- 8" concealed bypass mixing valve with 1/2" NPT female union inlet connections
- $\phi 2\ 5/8"$  wall flanges w/ set screws
- 1/2" NPT female outlet
- Quarter-turn Eterna compression cartridges w/ spring checks to prevent cross flow of water
- 4-arm handles and color coded indexes
- Elevated 1/2" NPT atmospheric vacuum breaker assembly
- 68" reinforced PVC hose with spray valve and extended spray nozzle
- Wall Hook
- Material: Brass body, polished chrome plated spray valve body, vacuum breaker & adjustable flanges and polished chrome plated metal handles

#### Product Compliance:

- ASME A112.18.1 / CSA B125.1
- NSF 61 - Section 9
- NSF 372 (Low Lead Content)
- ANSI A117.1 (ADA)
- ASSE 1001 (VB)



**Warranty:** One Year (Limited)

#### Performance Data:

- Pressure: 20 - 125 psi
- Temperature: 40 °F - 140 °F
- Flow Rate: 4.55 GPM @ 60 psi



#### Optional Handles

- 4" Wrist Action
- Lever
- 4-Arm (Standard)

#### Optional Cartridges With Checks

- Quarter-Turn Cerama w/ Check Valve
- Quarter-Turn Eterna w/ Spring Check (Standard)



T&S BRASS AND BRONZE WORKS, INC.



• 2 Saddleback Cove • Travelers Rest, SC 29690  
 Ph 800-476-4103 • Fax 864-834-3518  
 • Simi Valley, CA • Ph 800-423-0150 • www.tsbrass.com

Date: 11/22/17