



T&S BRASS AND BRONZE WORKS, INC.

2 Saddleback Cove / P.O. Box 1088
Travelers Rest, SC 29690

Model No.

B-1912-18

Item No.

Travelers Rest, SC: 800-476-4103 • Simi Valley, CA: 800-423-0150 • Fax: 864-834-3518 • www.tsbrass.com

This Space for Architect/Engineer Approval

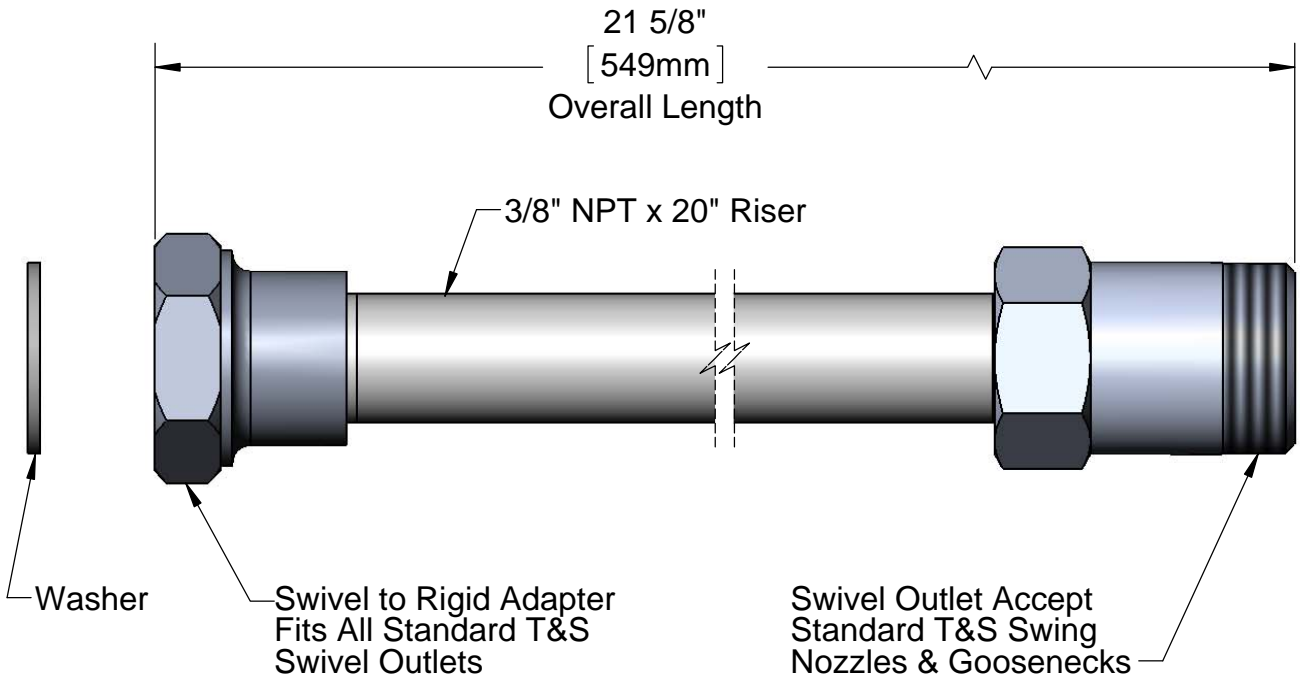
Job Name _____ Date _____

Model Specified _____ Quantity _____

Customer/Wholesaler _____

Contractor _____

Architect/Engineer _____



Product Specifications:
Straight Swivel Extension w/ Washer & 21 5/8" Overall Length

Drawn

KJG

Checked

JRM

Approved

JHB

Scale:

1:1

Date:

12/15/11



T&S BRASS AND BRONZE WORKS, INC.

2 Saddleback Cove / P.O. Box 1088
Travelers Rest, SC 29690

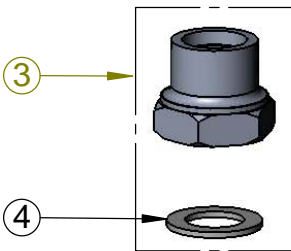
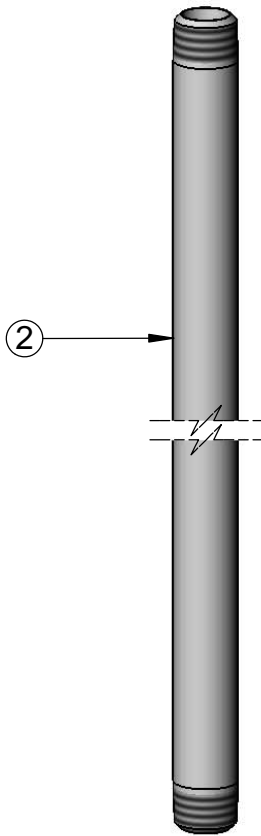
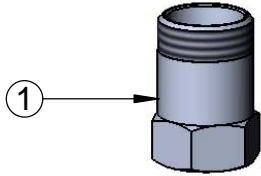
Model No.

B-1912-18

Item No.

Travelers Rest, SC: 800-476-4103 • Simi Valley, CA: 800-423-0150 • Fax: 864-834-3518 • www.tsbrass.com

ITEM NO.	SALES NO.	DESCRIPTION
1	054X	Swivel Body
2	000370-40	3/8" NPT x 20" Long Riser
3	B-0413	Swivel to Rigid Adapter
4	001049-45	Washer



Product Specifications:
Straight Swivel Extension w/ Washer & 21 5/8" Overall Length

Drawn
KJG

Checked
JRM

Approved
JHB

Scale:
NTS

Date:
12/15/11