



T&S BRASS AND BRONZE WORKS, INC.

2 Saddleback Cove / P.O. Box 1088
Travelers Rest, SC 29690

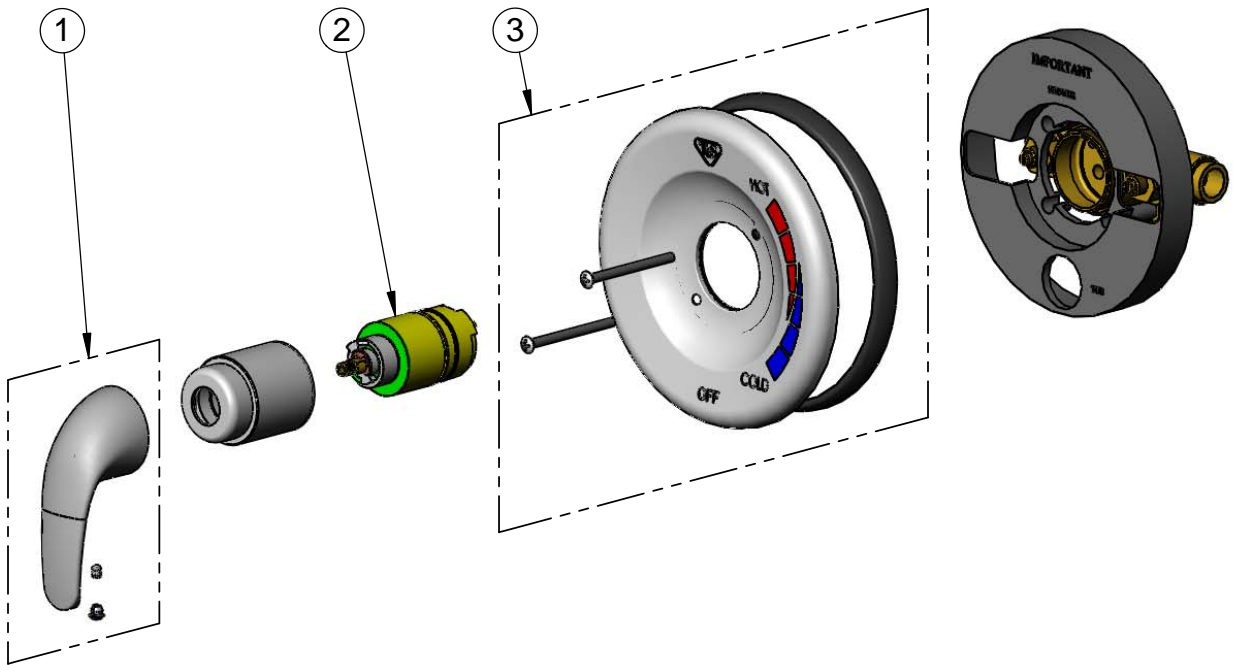
Model No.

B-3204

Item No.

Travelers Rest, SC: 800-476-4103 • Simi Valley, CA: 800-423-0150 • Fax: 864-834-3518 • www.tsbrass.com

ITEM NO.	SALES NO.	DESCRIPTION
1	017443-45	Handle w/ Set Screw & Temp. Index
2	017441-45	PBV Cartridge Assembly
3	017444-45	PBV Cover Plate Assembly



Product Specifications:
Pressure Balance Shower Valve (ASSE 1016) w/ Adjustable
Temperature Limit Stop & Cover Plate Assembly,
1/2" Sweat Connections

Drawn

DMH

Checked

DHL

Approved

JHB

Scale:

NTS

Date:

11/30/11