



T&S BRASS AND BRONZE WORKS, INC.
 2 Saddleback Cove / P.O. Box 1088
 Travelers Rest, SC 29690

Model No.

EC-3122-4DP

Item No.

Travelers Rest, SC: 800-476-4103 • Simi Valley, CA: 800-423-0150 • Fax: 864-834-3518 • www.tsbrass.com



ADA Compliant



This Space for Architect/Engineer Approval

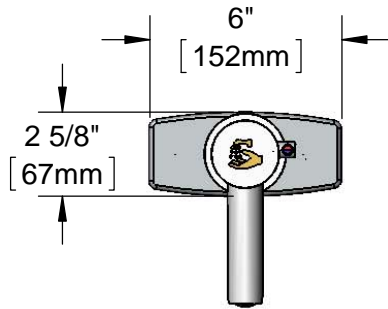
Job Name _____ Date _____

Model Specified _____ Quantity _____

Customer/Wholesaler _____

Contractor _____

Architect/Engineer _____



2.2 GPM [8.3 L/min]
 Vandal Resistant
 Aerator

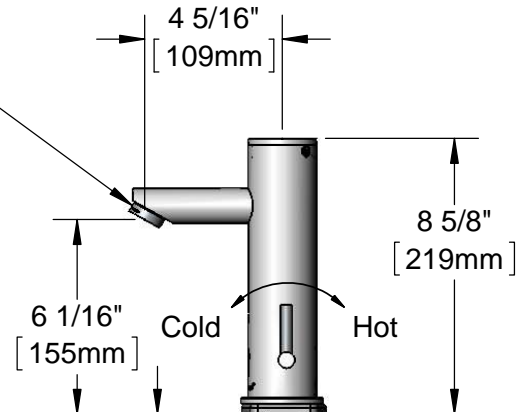
Temperature
 Mixing Handle

Polished Chrome
 Plated Deck Plate
 w/ Deck Gasket

Mounting Surface

DC Powered w/
 4 "AA" Batteries
 Inside Housing

Internal Above
 Deck Electronics
 w/ Flow Control
 Setting Switches



1 1/4"
 [32mm]
 Maximum
 Thickness

4"
 [102mm]

19" [486mm] Flexible Stainless
 Steel Supply Hoses w/ 1/2" NPSM
 Swivel Ends & Filter Washers

Check Valve Adapters w/
 3/8" Compression (9/16-24 UN) Inlets
 & Check Valves

Optional 100-240 VAC Adapter w/
 71" [1800mm] Long Power Cord

Rough-In Requirement:

- Ø 1 1/2" [38mm] Center Mounting Hole
- (2) Ø 1 1/8 [29mm] Side Mounting Holes

Product Specifications:

Chrome Plated Brass Above Deck Electronics Faucet, Single Hole Deck Mount w/ 4" Centerline Deck Plate, 2.2 GPM VR Aerator, Above Deck Temperature Control, Battery or AC Adapter Powered, Stainless Steel Flexible Supply Hoses & 3/8" Compression Inlets

Product Compliance:

ASME A112.18.1 / CSA B125.1
 NSF 61 - Section 9
 NSF 372 (Low Lead Content)
 ANSI A117.1 (ADA)
 UL 1951



T&S BRASS AND BRONZE WORKS, INC.

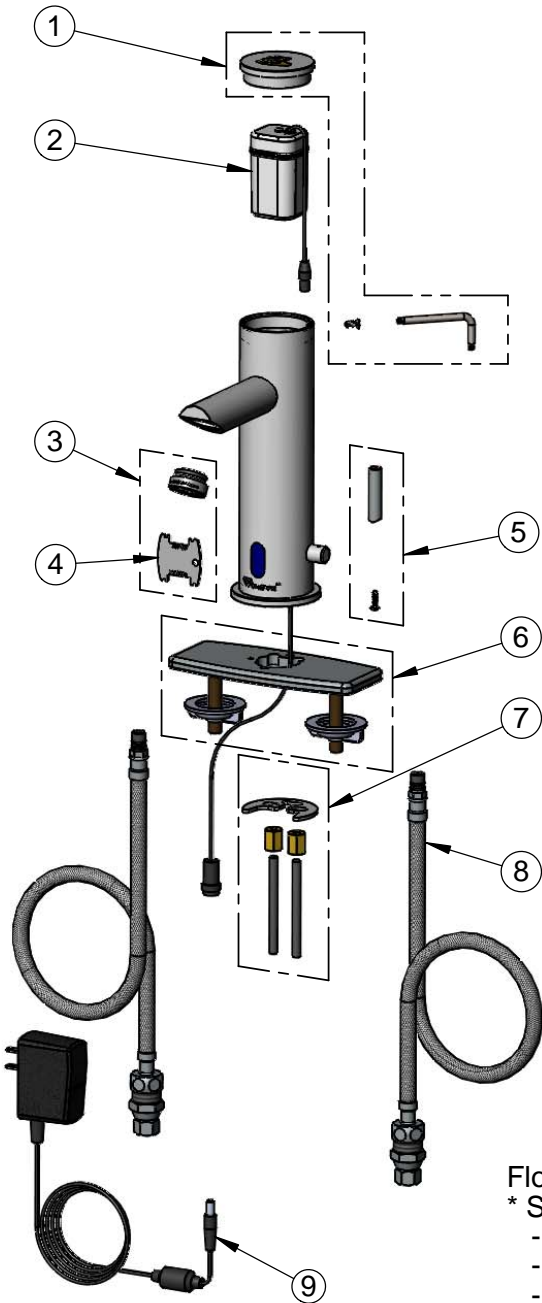
2 Saddleback Cove / P.O. Box 1088
Travelers Rest, SC 29690

Model No.

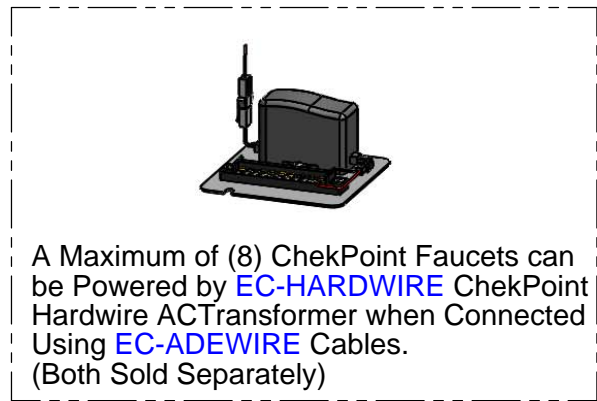
EC-3122-4DP

Item No.

Travelers Rest, SC: 800-476-4103 • Simi Valley, CA: 800-423-0150 • Fax: 864-834-3518 • www.tsbrass.com



ITEM NO.	SALES NO.	DESCRIPTION
1	018160-40	Cap, Screw & Wrench Kit
2	018227-45	Battery Holder
3	B-0199-09	VR 2.2 GPM Aerator, 15/16-27 UN Male w/ Key
4	015425-45	Vandal Resistant Key
5	018230-45	Lever Handle w/ Screw
6	013433-40	4" Universal Deck Plate, Gasket & Mounting Hardware
7	018233-45	Mounting Hardware Kit
8	018232-45	Flexible Stainless Steel Hose w/ Filter Washer & Check Valve Adapter Asm.
9	5EF-0002	AC Transformer



Flow Control Switches are Located Beneath the Cap.

* Switches are Set to DEFAULT Position:

- Auto Time Out = 15 Seconds
- Shut Off Delay = 1 Second
- Auto Flush = OFF

* Available Water Flow Control Selections:

- Auto Time Out: 15 sec, 30 sec, 45 sec, 60 sec, 3 min, 20 min
- Shut Off Delay: 1 sec, 10 sec, 15 sec, 30 sec
- Auto Flush (30 Seconds After Every 12 Inactive Hours): ON or OFF

Product Specifications:

Chrome Plated Brass Above Deck Electronics Faucet, Single Hole Deck Mount w/ 4" Centerline Deck Plate, 2.2 GPM VR Aerator, Above Deck Temperature Control, Battery or AC Adapter Powered, Stainless Steel Flexible Supply Hoses & 3/8" Compression Inlets

Product Compliance:

ASME A112.18.1 / CSA B125.1
NSF 61 - Section 9
NSF 372 (Low Lead Content)
ANSI A117.1 (ADA)
UL 1951