

T&S BRASS AND BRONZE WORKS, INC.

2 Saddleback Cove / P.O. Box 1088
Travelers Rest, SC 29690

Model No.

B-2866-05-LT

Item No.

Travelers Rest, SC: 800-476-4103 • Simi Valley, CA: 800-423-0150 • Fax: 864-834-3518 • www.tsbrass.com



ADA Compliant

This Space for Architect/Engineer Approval

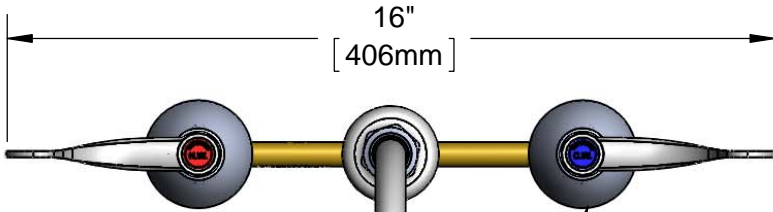
Job Name _____ Date _____

Model Specified _____ Quantity _____

Customer/Wholesaler _____

Contractor _____

Architect/Engineer _____



ϕ 2-1/4"
[57mm]
Escutcheons

Swivel Gooseneck w/
Stream Regulator Outlet.
Rigid Conversion Requires
014200-45 Lock Washer
(Included)

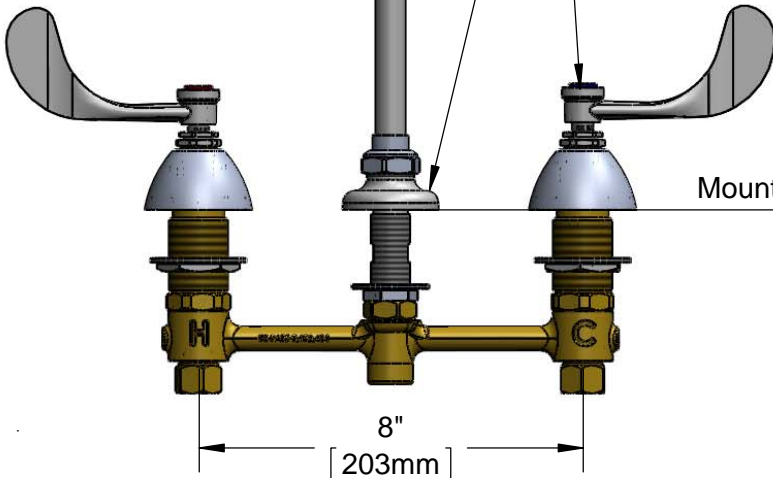


ϕ 2"
[51mm]
Swivel Deck
Flange

Eterna Cartridges &
4" Wrist Action Handles
w/ Color Coded Indexes



Mounting Surface



1 1/4"
[32mm]
Maximum
Thickness

1/2" NPSM
Male Inlets w/
Coupling Nuts

Rough-In Requirement:
Center Shank: ϕ 1" [25mm] Mounting Hole
Hot/Cold Side Bodies: ϕ 1 1/2" [38mm] Mounting Holes

Product Specifications:
8" EasyInstall Faucet w/ 4" Wrist Action Handles, Eterna Cartridges,
& Swivel Gooseneck w/ Aerator & Stream Regulator Outlet

Drawn KJG	Checked DMH	Approved JHB
Scale: 1:4		Date: 05/24/13



T&S BRASS AND BRONZE WORKS, INC.

2 Saddleback Cove / P.O. Box 1088
Travelers Rest, SC 29690

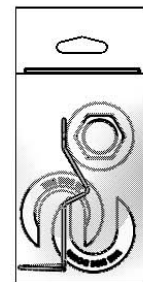
Model No.

B-2866-05-LT

Item No.

Travelers Rest, SC: 800-476-4103 • Simi Valley, CA: 800-423-0150 • Fax: 864-834-3518 • www.tsbrass.com

ITEM NO.	SALES NO.	DESCRIPTION
1	B-LT	Stream Regulator Outlet
2	001043-45	Washer
3	041X	Adapter, 3/8" NPT x 55/64"-27UN Female
4	001048-45	Nozzle Tip Washer
5	009538-45	Swivel Washer
6	011429-45	Swivel Sleeves (2)
7	001074-45	O-Ring
8	014200-45	Star Washer, Anti-Rotation
9	016754-40	EasyInstall CWS Swivel Center Shank
10	016742-45	Center Flange Nut
11	016745-45	Compression Nut & Fitting
12	001686-45	Blue CW Index
13	000925-45	Lab Handle Screw
14	B-WH4	4" Wrist Action Handle
15	B-WH4C	4" Wrist Action Handle, Screw & Cold Index
16	001257-40	Bell Escutcheon
17	016752-40	EasyInstall CWS LTC Eterna (Teflon)
18	016749-45	Sidebody C-Washer
19	016777-45	CWS Hanger
20	000958-20	Coupling Nut
21	016753-40	EasyInstall CWS RTC Eterna (Teflon)
22	016743-25	CWS Eterna Bonnet
23	009002-25	Packing Nut
24	B-WH4H	4" Wrist Action Handle, Screw & Hot Index
25	001194-45	Red HW Index



017245-40
Installation Repair Kit
Includes #10, (2)#18, #19

Product Specifications:

8" EasyInstall Faucet w/ 4" Wrist Action Handles, Eterna Cartridges, & Swivel Gooseneck w/ Aerator & Stream Regulator Outlet

Drawn

KJG

Checked

DMH

Approved

JHB

Scale:

NTS

Date:

05/24/13