

**Ecostat Classic**  
**Pressure Balance Trim, Round**  
 Finishes : **rubbed bronze**    Part no. : **15404921**



**Description**

**Features**

- Flow: 5.5 GPM (20.6 L/Min)
- Integrated bypass for use with diverter tub spouts
- Temperature and on/off control for 1 outlet

**Item details**

List Price \$ 301.00

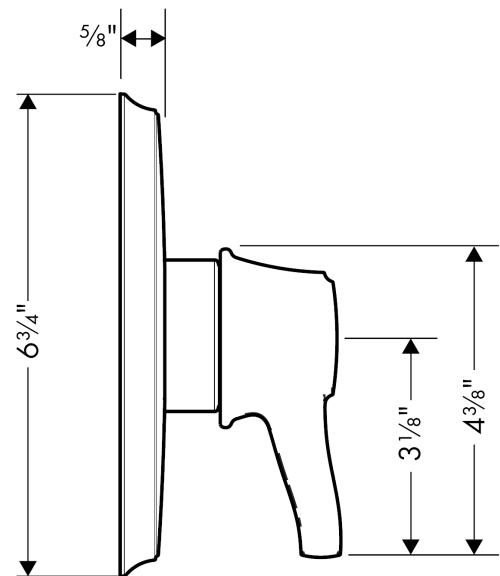
**Compliance**



**Product image**



**Scale drawing**

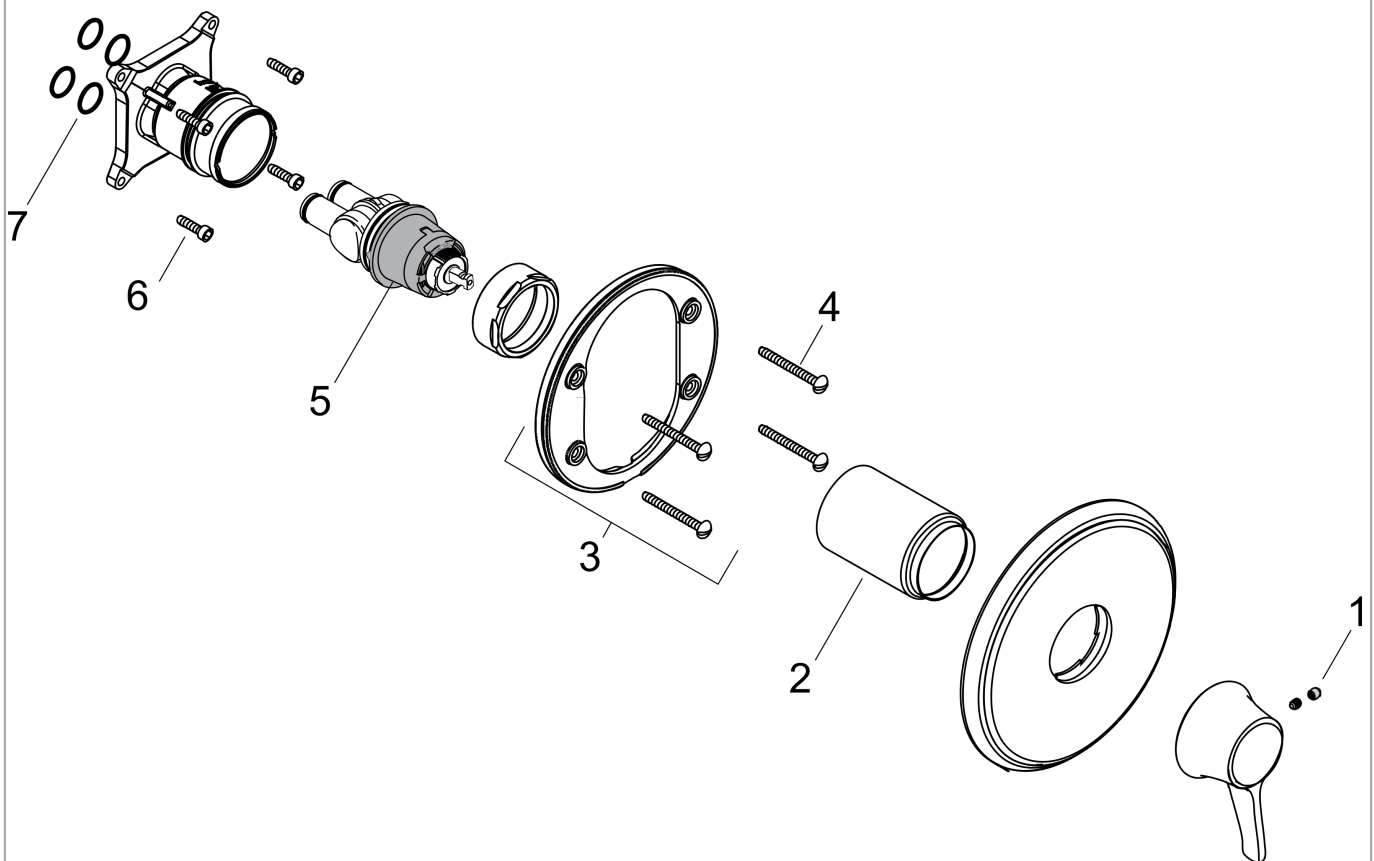


**Ecostat Classic**  
**Pressure Balance Trim, Round**  
 Finishes : **rubbed bronze**    Part no. : **15404921**



Exploded drawing

Year of production: >12/10



**Ecostat Classic**  
**Pressure Balance Trim, Round**  
 Finishes : **rubbed bronze**    Part no. : **15404921**



**Spare parts list**

Year of production: >12/10

Pos.	Description	Part no.	Price	PU
1	screw cover	95181000	-	1
2	holder for escutcheon	98793000	-	1
3	sleeve	88765620	-	1
4	set of fixing screws	96454000	-	1
5	cartridge, assy	88727000	-	1
6	set of screws	96525000	-	1
7	O-ring 16x2	98133000	-	1
a	extension 25 mm	13595000	-	1
b	extension 22 mm (Ø 170 mm)	13596920	-	1