

## FixFit

### Wall Outlet with Check Valves

Finishes : **polished nickel**    Part no. : **27458833**



#### Description

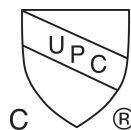
##### Features

- non-return valve
- 1/2" NPT

#### Item details

List Price \$ 86.00

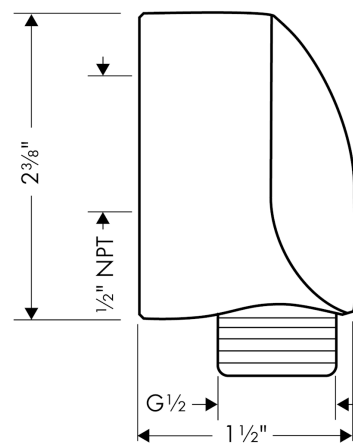
#### Compliance



#### Product image



#### Scale drawing



## FixFit

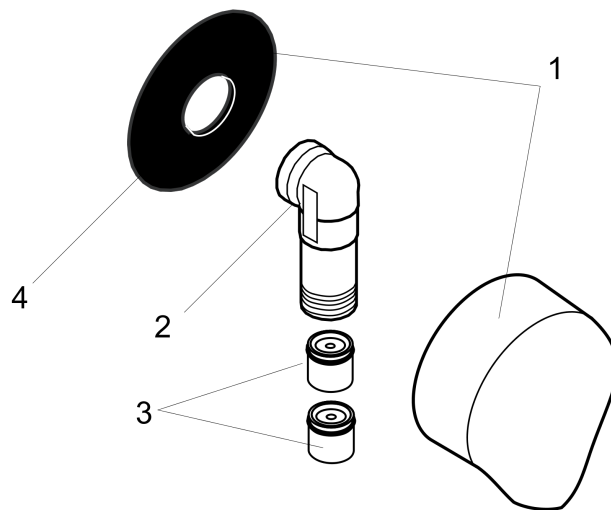
### Wall Outlet with Check Valves

Finishes : **polished nickel**    Part no. : **27458833**



## Exploded drawing

Year of production: >07/02



**FixFit**

**Wall Outlet with Check Valves**

Finishes : **polished nickel**    Part no. : **27458833**



**Spare parts list**

Year of production: >07/02

Pos.	Description	Part no.	Price	PU
1	cover	97454830	-	1
2	connection angel	98531001	-	1
3	set of non return valves DW 15	94074000	-	1
4	support element	98557000	-	1