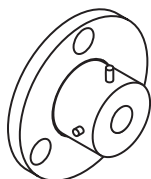
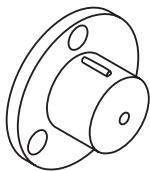


Installation Instructions / Warranty



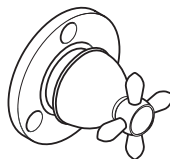
Stark
10933XX1



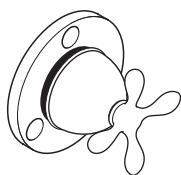
Steel
35933801



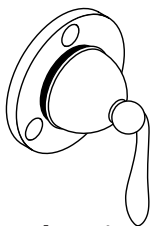
Carlton
17933XX1



Carlton
17935XX1



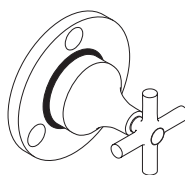
Phoenix
17944XX1



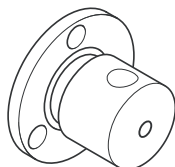
Phoenix
17945XX1



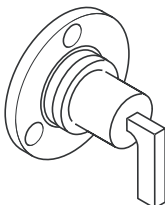
Terrano
37930XX1



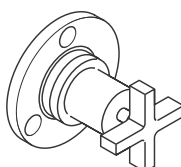
Terrano
37933XX1



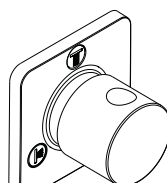
Uno
38933XX1



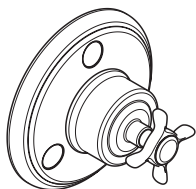
Citterio
39920XX1



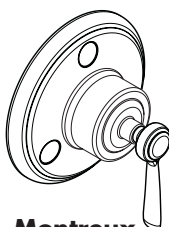
Citterio
39925XX1



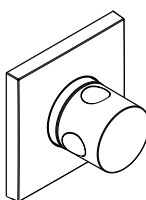
Citterio M
34930XX1



Montreux
16830XX1



Montreux
16834XX1



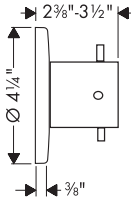
Massaud
18933001

**QUATTRO
DIVERTER
Trim Sets**

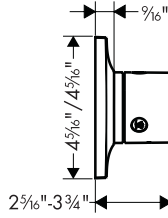
AXOR[®]

hansgrohe

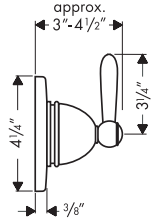
Starck
10933XX1



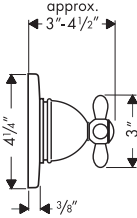
Massaud
18933001



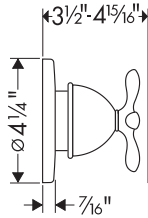
Carlton
17933XX1



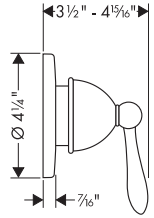
Carlton
17935XX1



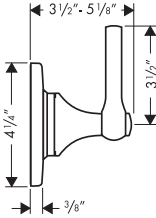
Phoenix
17944XX1



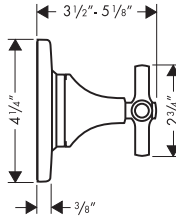
Phoenix
17945XX1



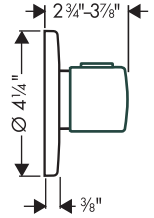
Terrano
37930XX1



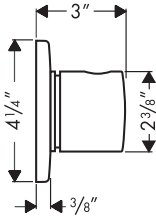
Terrano
37933XX1



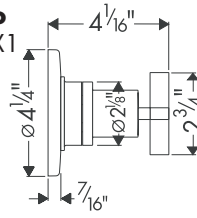
Steel
35933801



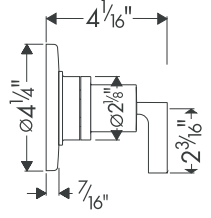
Uno
38933XX1



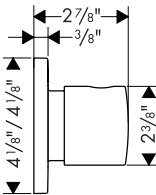
Citterio
39925XX1



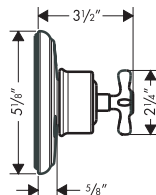
Citterio
39920XX1



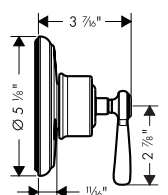
Citterio M
34930XX1



Montreux
16830XX1



Montreux
16834XX1



These trim kits fit Quattro diverter rough 13932181.

Sleeve and escutcheon assembly

Remove the cover (1).

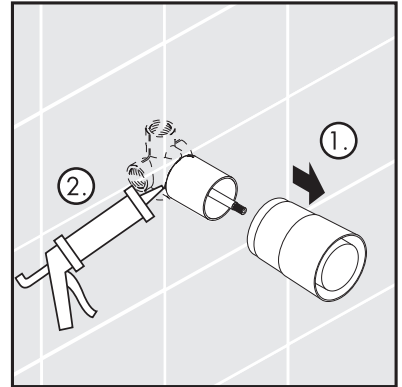
Seal around the rough-in with waterproof sealant (2).



Seal the wall around the rough in with waterproof sealant.

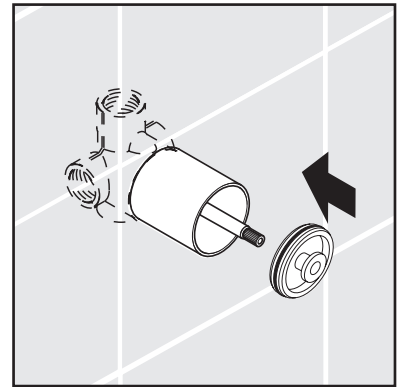


Failure to seal the wall can lead to possible water damage.



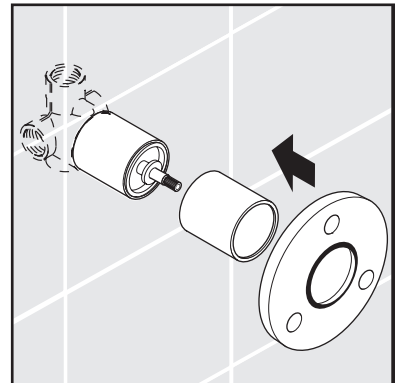
Starck 10933XX1, Montreux 16830XX1/
16834XX1, Phoenix 17944XX1/17945XX1,
Terrano 37930XX1/37933XX1, Uno 38933XX1
and Citterio 39920XX1/39925XX1 only:

Push the guide ring into the body of the rough-in.



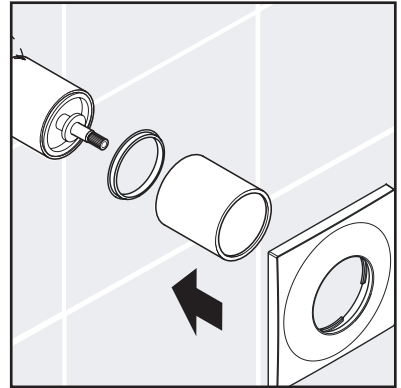
Install the trim sleeve and the escutcheon.

(Special assembly for Massaud, see next page)



Massaud 18933001

Install the trim sleeve and the escutcheon.



Handle assembly

Starck 10933XX1

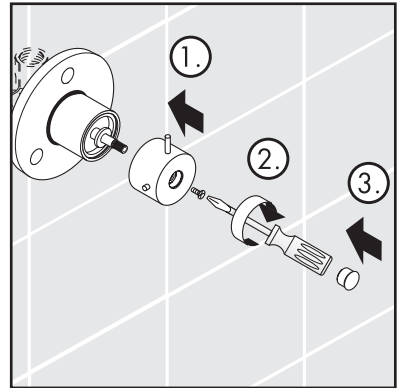
Montreux 16830XX1/16834XX1

Terrano 37930XX1/37933XX1

Push the handle onto the shaft.

Tighten the screw.

Cover the hole with the screw cover.



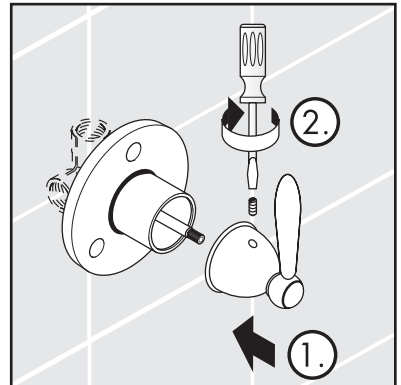
Carlton 17933XX1 / 17935XX1

Phoenix 17944XX1 / 17945XX1

Push the handle onto the shaft.

Tighten the screw

Phoenix cross handle only: Cover the hole with the screw cover.



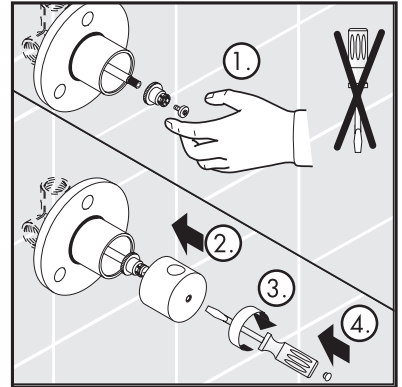
Steel 35933801
Citterio M 34930XX1
Uno 38933XX1

Tighten the screw by hand only three turns.

Snap on the handle.

Tighten the screw.

Cover the hole with the screw cover.

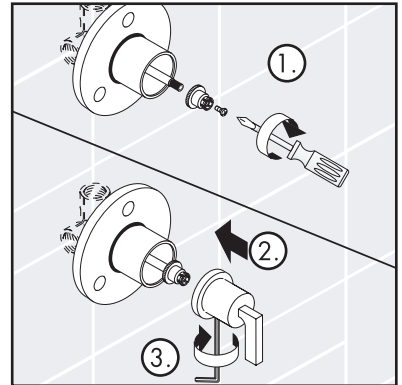


Citterio 39920XX1 / 39925XX1
Massaud 18933001

Install the handle snap connector and tighten the screw.

Snap on the handle

Tighten the hollow set screw with a 2 mm Allen wrench.



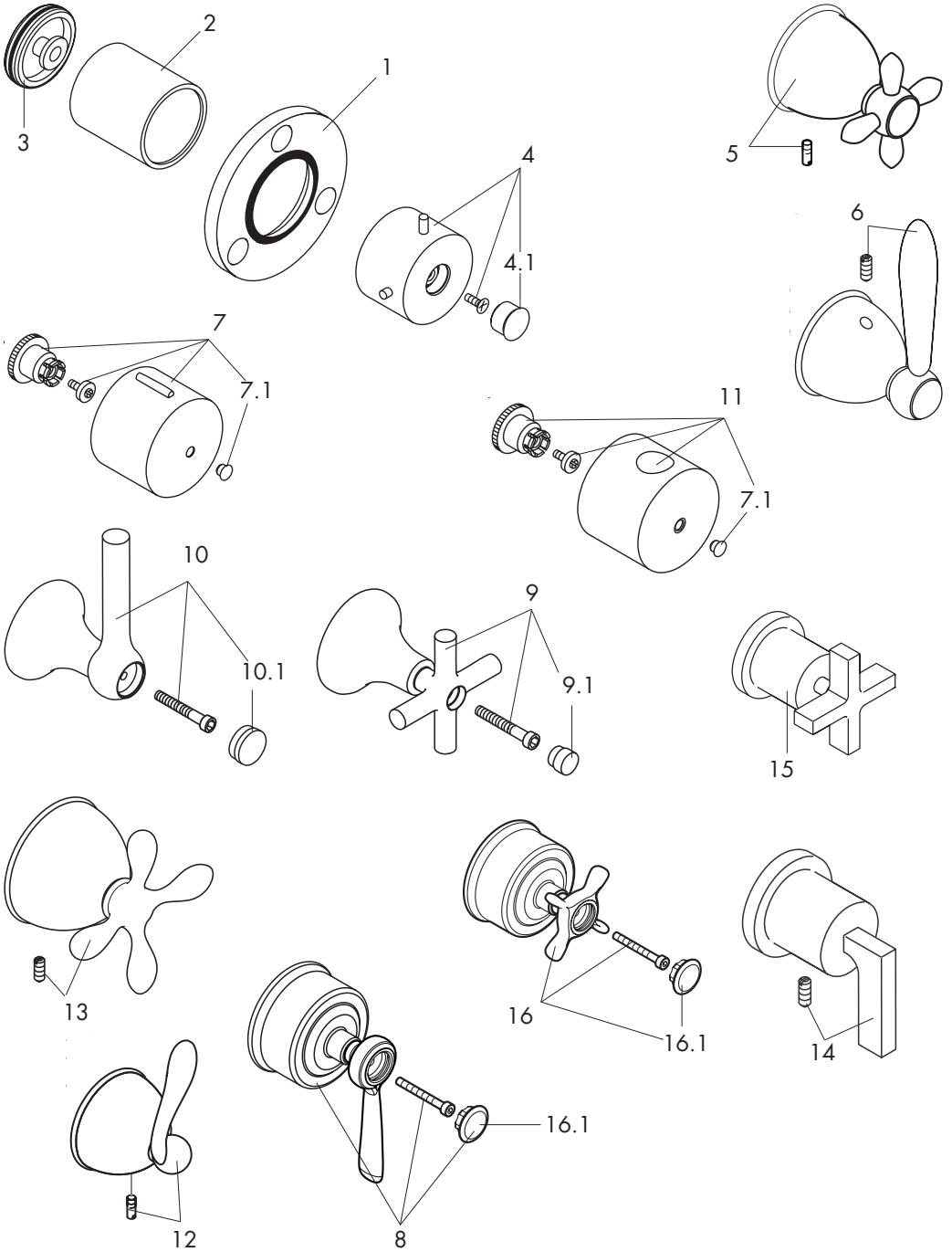
Spare parts

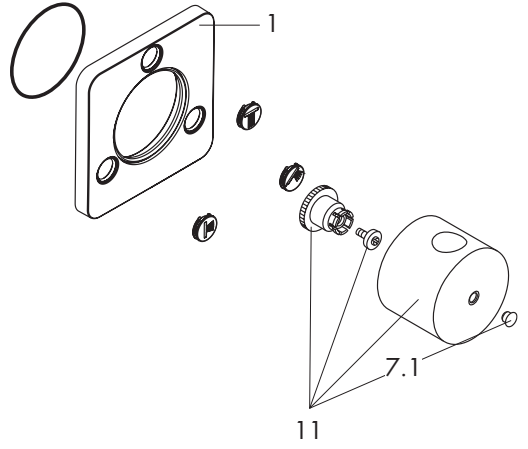
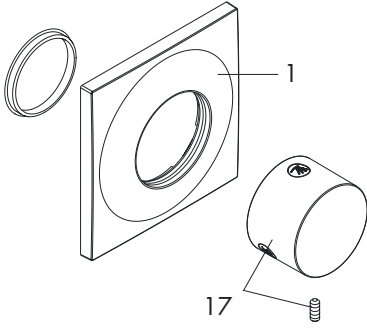
1	escutcheon	Montreux	98669XX1
	escutcheon	Starck/Carlton/Phoenix/Steel/Allegroh/ Terrano/Citterio/Uno	13936XX0
	escutcheon	Massaud	98676000
	escutcheon	Citterio M	98963XX0
2	sleeve		96242XX0
3	guide ring		
4	handle	Starck	10993XX1
4.1	screw cover	Starck	96540XX1
5	cross handle	Carlton	17298XX1
6	lever handle	Carlton	17993XX1
7	handle	Steel	35993801
7.1	screw cover	Steel/Allegroh/Uno, Phoenix cross	96541001
8	handle	Montreux Lever	16693XX0
9	cross handle	Terrano	37995XX1
9.1	screw cover	Terrano	96542XX0
10	lever handle	Terrano	37993XX1
10.1	screw cover	Terrano	96543XX0
11	handle	Uno / Citterio M	38993XX1
12	lever handle	Phoenix	96632XX1
13	cross handle	Phoenix	96792XX1
13	lever handle	Citterio	39993XX1
15	cross handle	Citterio	39995XX1
16	cross handle	Montreux	16593XX0
16.1	screw cover	Montreux	97987000
17	handle	Massaud	18095001

XX = color code

00	chrome
62	oil rubbed bronze
80	steel
82	brushed nickel
83	polished nickel

Extension set 1 1/2" 92630000
(if needed, please order separately)





Cleaning Recommendation for Hansgrohe Products

Modern lavatory faucets, kitchen faucets, and showers consist of very different materials to comply with the needs of the market with regard to design and functionality. To avoid damage and returns, it is necessary to consider certain criteria when cleaning.

Cleaning Materials for Faucets and Showers

Acids are a necessary ingredient of cleaning materials for removing lime, however please pay attention to the following points when cleaning faucets and showers:

- Only use cleaning materials which are explicitly intended for this type of application.
- Never use cleaning materials which contain hydrochloric, formic, phosphoric, or acetic acid, as they cause considerable damage.
- Never mix one cleaning material with another.
- Never use cleaning materials or appliances with an abrasive effect, such as unsuitable cleaning powders, sponge pads, or micro fiber cloths.

Cleaning Instructions for Faucets and Showers

Please follow the cleaning material manufacturer's instructions. In addition, pay attention to the following points:

- Clean the faucets and showers as and when required
- Use the amount of cleaning product and the amount of time recommended by the manufacturer. Do not leave the cleaner on the tightenture longer than necessary.
- Regular cleaning can prevent calcification.
- When using spray cleaners, spray first onto a soft cloth or sponge. Never spray directly onto the faucet as droplets can enter openings and gaps and cause damage.
- After cleaning, rinse thoroughly with clean water to remove any cleaner residue.

Important

Residues of liquid soaps, shampoos, and shower foams can also cause damage, so rinse with clean water after using.

Please note: if the surface is already damaged, the effect of cleaning materials will cause further damage.

Components with damaged surfaces must be replaced or injury could result.

Damage caused by improper treatment is not covered under the warranty.