

SPECIFICATIONS

AERATOR KIT 1.0 GPM

Description

- Flow rate at 1.0 gallon per minute
- Spray flow pattern
- Female or male thread available
- Insert provided by Neoperl (see the number in brackets below)
- Pressure compensating between 20 psi and 80 psi
- Rolling printed "A112.18.1M, 1.0 GPM / 3.8 LPM Max"

Standards

MEETS ASME
A112.18.1M

- ASME A112.18.1M

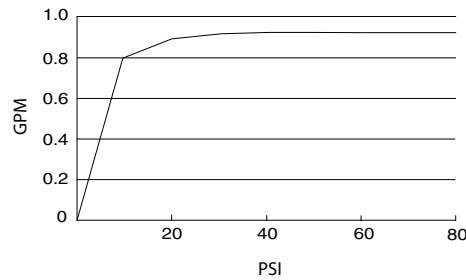
Warranty

Danze products are covered by a manufacturer's limited "lifetime" warranty for manufacturing defects.

Model Numbers:

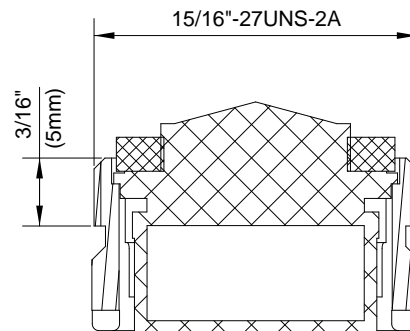
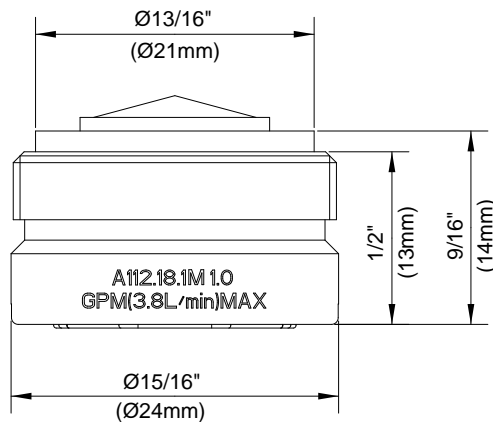
- DA500198N (A5.9036.10000)** 1.0 GPM, junior, male, spray, no wrench included
- DA500216N (A5.9046.1)** 1.0 GPM, standard, female, spray, no wrench included
- DA613074N (A5.9036.10000)** 1.0 GPM, junior, male, spray
- DA613082N (A5.9046.1)** 1.0 GPM, standard, male, spray
- DA500201N (A5.9036.10000)** 1.0 GPM, junior, male, spray, no wrench included
- DA500227N (A5.9046.1)** 1.0 GPM, standard, female, spray, no wrench included
- DA500229N (44.7158.0.0001)** 1.0 GPM, tom thumb, female, spray, no wrench included
- DA613094N (44.7158.0.0001)** 1.0 GPM, tom thumb, male, spray
- DA613078N (44.7158.0.0001)** 1.0 GPM, tom thumb, male, spray
- DA500228N (A5.9046.1)** 1.0 GPM, standard, male, spray, no wrench included

Flow Rate



Finishes Available

- Chrome
- Other: Refer to Price List for additional finish



Submittal Information:

Job Name: _____
Contractor: _____

Location: _____
Contact #: _____