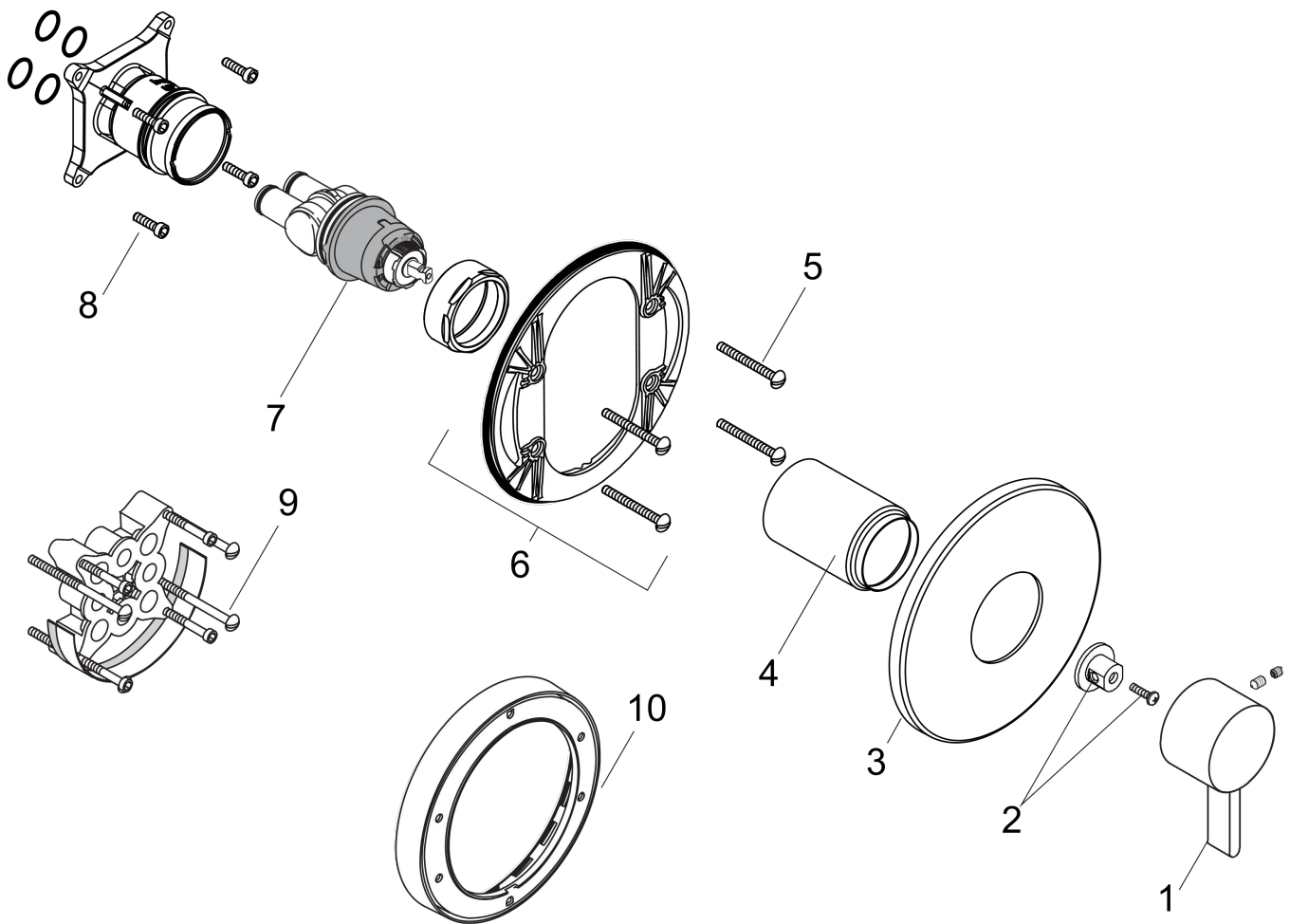


**Ecostat**  
**Pressure Balance Trim S**  
 Finishes : **chrome**    Part no. : **04233000**



Exploded drawing

Year of production: >05/10



**Ecostat**

**Pressure Balance Trim S**

Finishes : **chrome** Part no. : **04233000**



**Spare parts list**

Year of production: >05/10

| Pos. | Description                | Part no. | Price | PU |
|------|----------------------------|----------|-------|----|
| 1    | handle                     | 88763000 | -     | 1  |
| 2    | adapter for handle         | 92756000 | -     | 1  |
| 3    | escutcheon                 | 88760000 | -     | 1  |
| 4    | sleeve                     | 88765000 | -     | 1  |
| 5    | set of fixing screws       | 96454000 | -     | 1  |
| 6    | sub plate                  | 96447000 | -     | 1  |
| 7    | cartridge, assy            | 88727000 | -     | 1  |
| 8    | set of screws              | 96525000 | -     | 1  |
| 9    | extension 25 mm            | 13595000 | -     | 1  |
| 10   | extension 22 mm (Ø 170 mm) | 13596000 | -     | 1  |