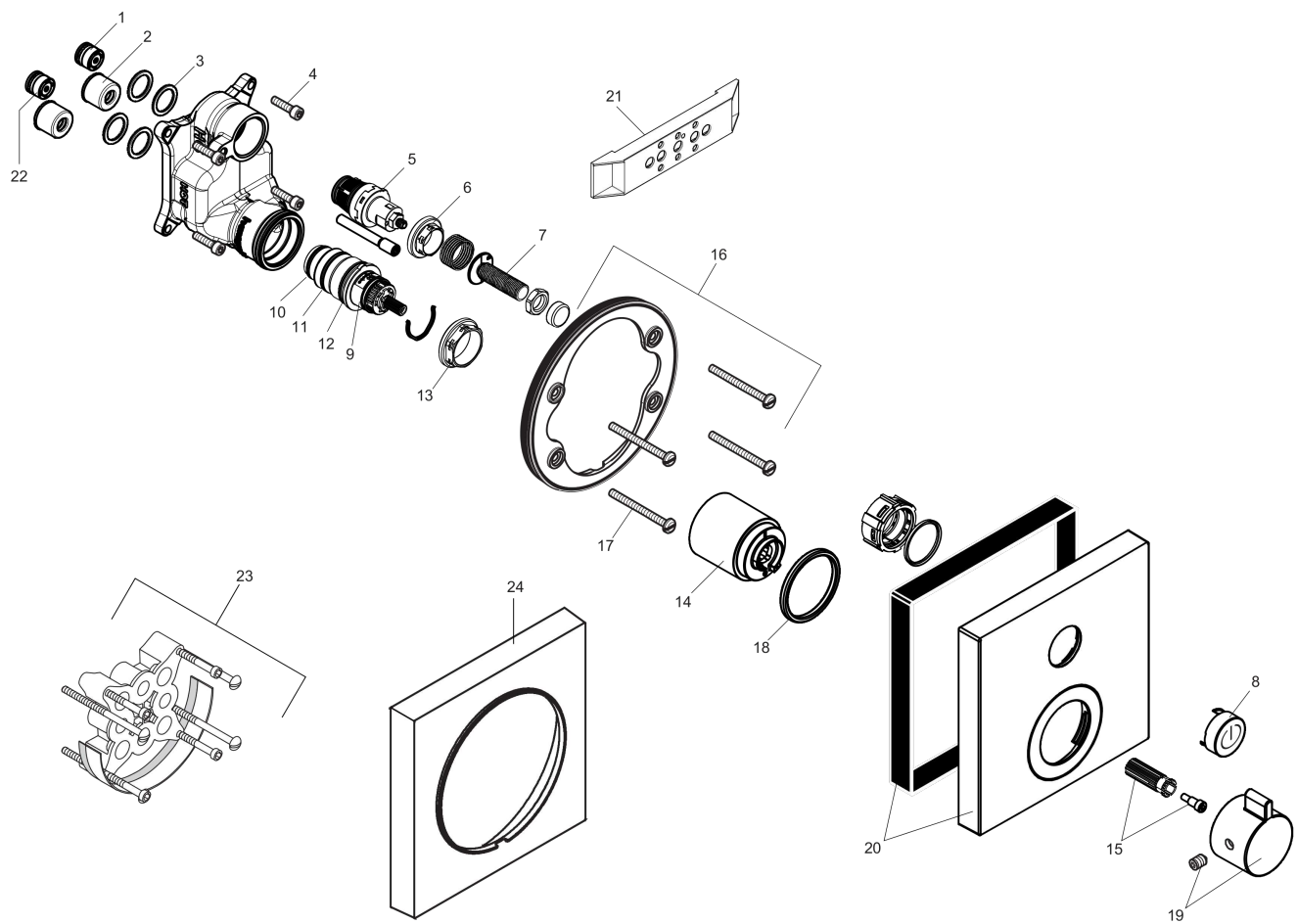


ShowerSelect
Thermostatic Trim for 1 Function, Square
Finishes : **chrome** Part no. : **15762001**



Exploded drawing

Year of production: >12/14



ShowerSelect
Thermostatic Trim for 1 Function, Square
 Finishes : **chrome** Part no. : **15762001**



Spare parts list

Year of production: >12/14

Pos.	Description	Part no.	Price	PU
1	non return valve	97980000	-	1
2	noise reduction	94073000	-	1
3	O-ring 16x2	98133000	-	1
4	set of screws	96525000	-	1
5	shut off unit	95758000	-	1
6	nut	98368000	-	1
7	Select-adapter	92219000	-	1
8	set of symbols	92218000	-	1
9	thermostat cartridge	98282001	-	1
10	O-ring 20x1,5	98197000	-	1
11	O-ring 25x1,5	98146000	-	1
12	O-ring 25x2,5	92146000	-	1
13	nut	98913000	-	1
14	sleeve	92216000	-	1
15	handle fixing set	95843000	-	1
16	holder for escutcheon	98793000	-	1
17	set of fixing screws	96454000	-	1
18	O-ring 44x4	98471000	-	1
19	handle for thermostat	92215001	-	1
20	escutcheon 155 / 155 mm	92234001	-	1
21	fit-up aid	92540000	-	1
22	non return valve (pressure-resistant up to 2 MPa)	92594000	-	1
23	extension 25 mm	13595000	-	1
24	extension 22 mm	13593000	-	1
a	compensation set 1°	95521000	-	1
b	set of fixing screws	97747000	-	1
c	shut off unit (special)	92361000	-	1
d	brake disc	92498000	-	1
e	nut and flange	92696000	-	1
f	symbol head shower Rain large	93571880	-	1
g	symbol head shower Rain small	93572880	-	1
h	symbol handshower	93573880	-	1
i	symbol Flood jet	93574880	-	1
j	symbol Whirl	93575880	-	1
k	symbol Mono	93576880	-	1
l	symbol tub	93577880	-	1
m	symbol body shower	93578880	-	1
n	symbol ON/OFF	93579880	-	1