

Homeowners Guide

Transfer Valve Trim

K-T10290



M product numbers are for Mexico (i.e. K-12345**M**)
Los números de productos seguidos de
M corresponden a México (Ej.
K-12345**M**)
Français, page "Français-1"
Español, página "Español-1"

1041512-5-C

THE BOLD LOOK
OF **KOHLER**®

Thank You For Choosing Kohler Company

Thank you for choosing the Bold Look of Kohler. Kohler craftsmanship offers you a rare combination of proven performance and graceful sophistication that will satisfy you for years to come. The dependability and beauty of your Kohler faucet will surpass your highest expectations. We're very proud of our products here at Kohler and we know you will be too.

Please take a few minutes to study this Homeowners Guide. Pay special attention to the Care and Cleaning instructions.

All information in this manual is based upon the latest product information available at the time of publication. At Kohler, we constantly strive to improve the quality of our products. We reserve the right to make changes in product characteristics, packaging or availability at any time without notice.

Care and Cleaning

Like anything of lasting quality, Kohler faucets and fittings require a certain amount of periodic care to preserve their lustrous finish. Clean your new Kohler faucet and fittings with a mild soap, rinse thoroughly with warm water and dry with a clean, soft cloth. The ideal cleaning technique is to always blot dry any water from metal surfaces. Allowing water to evaporate on metal will form water deposits. It is important to use a dabbing action to dry metal, not an abrasive or rubbing action.

Never use cleaners containing abrasive cleansers, ammonia, bleach, acids, or chemicals that can damage the finish. By taking the time to dry your faucet often, soap and water deposits can be prevented.

If your chrome or Vibrant® color/finish faucet gets excessively dirty, consider using the following cleaners: Windex® Original, Fantastik® All Purpose, Spic and Span Pine Liquid, or Mr. Clean® Springtime Fresh Scent. **For solid color faucets and fittings,** consider using these cleaners: Fantastik® All Purpose, Spic and Span Pine Liquid, or Mr. Clean® Springtime Fresh Scent.

Failure to comply with these cleaning instructions may void Kohler's warranty obligations.

Lifetime Limited Warranty — USA and Canada

Kohler Co. warrants its faucets manufactured after January 1, 1997, to be leak and drip free during normal residential use for as long as the original consumer purchaser owns his/her home. *If the faucet should leak or drip during normal use, Kohler will, free of charge, mail to the

Lifetime Limited Warranty — USA and Canada (cont.)

purchaser the cartridge necessary to put the faucet in good working condition.

Kohler also warrants all other aspects of the faucet, except gold finish, to be free of defects in material and workmanship during normal residential use for as long as the original consumer purchaser owns his/her own home. If a defect is found in normal residential use, Kohler Co. will, at its election, repair, provide a replacement part or product, or make appropriate adjustment. Damage to a product caused by accident, misuse, or abuse is not covered by this warranty. Proof of purchase (original sales receipt) must be provided to Kohler with all warranty claims. Kohler Co. is not responsible for labor charges, installation, or other consequential costs. In no event shall the liability of Kohler exceed the purchase price of the faucet.

If the faucet is used commercially, Kohler warrants the faucet to be free from defects in material and workmanship for one (1) year from the date the product is installed, with all other terms of this warranty applying except duration.

If you believe that you have a warranty claim, contact Kohler Co., either through your Dealer, Plumbing Contractor, Home Center or E-tailer, or by writing: Kohler Co., Attn.: Customer Service Department, 444 Highland Drive, Kohler, WI 53044, USA. Please be sure to provide all pertinent information regarding your claim, including a complete description of the problem, the product, model number, color, finish, the date the product was purchased and from whom the product was purchased. Also include your original invoice. For other information, or to obtain the name and address of the service and repair facility nearest you, call 1-800-4-KOHLER from within the USA, 1-800-964-5590 from within Canada and 001-877-680-1310 from within Mexico.

The foregoing warranties are in lieu of all other warranties, express or implied, including but not limited to the implied warranties of merchantability and fitness for a particular purpose.

Seller disclaims any liability for special, incidental or consequential damages. Some states/provinces do not allow limitations of how long an implied warranty lasts or the exclusion or limitation of such damages, so these limitations and exclusions may not apply to you. This warranty gives the consumer specific legal rights. You may also have other rights that vary from state/province to state/province. This warranty is to the original consumer purchaser only, and excludes product damage due to installation error, product abuse, or product misuse, whether performed by a contractor, service company, or the consumer.

This is our exclusive written warranty.

Lifetime Limited Warranty — USA and Canada (cont.)

*Trend® faucets, MasterShower™ Tower, polished gold finish, all items within the "Fixture Related" section of the KOHLER Faucets Price Book, drains, Duostrainer® sink strainers, soap/lotion dispensers and faucets used in commercial settings are covered by Kohler's one-year limited warranty.

One-Year Warranty — Mexico

For Mexico Only

KOHLER CO.

It is recommended that at the time of purchase, you verify that all accessories and components are complete in this package.

This Kohler product is warranted to be free of defects in material and workmanship for one (1) year from the date of purchase as shown on the invoice or receipt.

1. Kohler Co. will only service its commercialized products through its authorized distributors.
2. To obtain warranty service, please present the invoice and corresponding warranty.
3. Through its authorized distributors, Kohler Co. promises to repair the defective product or provide a new replacement or an equivalent model (in those cases that the model has been discontinued) when the product is beyond repair, without any charge to the consumer.
4. The time of repair will not exceed six (6) weeks commencing on the date the product is received.
5. It is recommended that the consumer save the invoice or receipt as additional protection, as it may substitute the warranty in the case that there is a discrepancy in the validity of the warranty.

EXCEPTIONS AND RESTRICTIONS

The Warranty will not be valid in the following cases:

1. When the product is not operated in accordance with the instructions concerning use and operation set forth in the owner's manual or installation instructions, and when the recommendations and warnings included are not observed.
2. When the product has been modified or dismantled partially or totally; or has been used in a negligent fashion and as a consequence has suffered damages attributable to the consumer, individual, or hardware not authorized by Kohler Co.

One-Year Warranty — Mexico (cont.)

3. This warranty does not cover the damages as a result of disaster such as fire or acts of God, including flooding, earthquake, or electric storms, etc. To obtain a list of distributors in your area where you can exercise your rights under this warranty, please call 001-877-680-1310.

KOHLER CO., KOHLER, WI 53044 U.S.A.

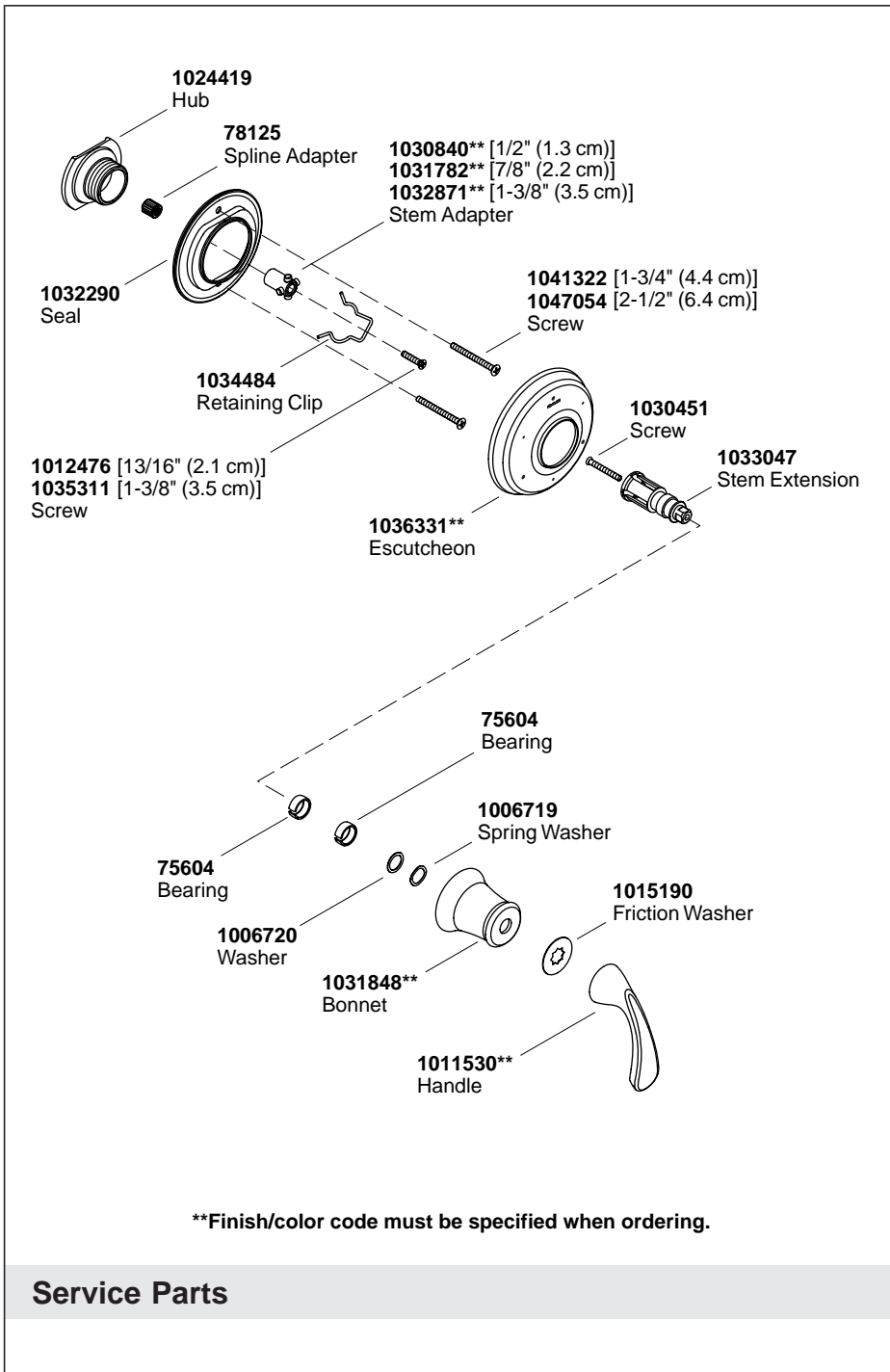
IMPORTER:

INTERNACIONAL DE CERÁMICA, S.A. DE C.V.

AV. CARLOS PACHECO NO. 7200

CHIHUAHUA, CHIH., MEXICO C.P. 31060

TEL: 52 (14) 29-11-11



Service Parts