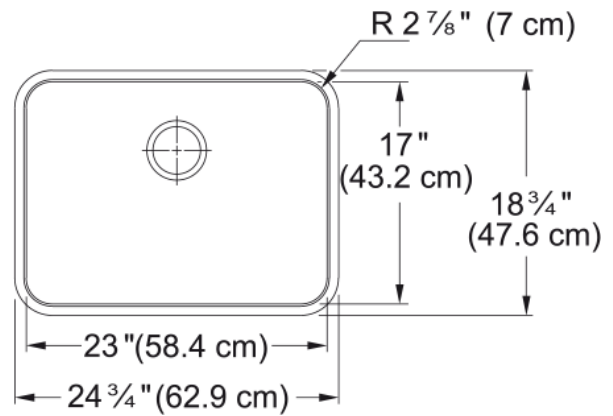


Grande Undermount Sink - GDX11023 | 122.0260.553



Technical Data

Aspect

| | |
|------------------|-----------------|
| Sink type | Sink |
| Type of material | Stainless steel |
| Number of bowls | 1 |
| Color | Steel |
| Surface finish | Silk |

Product Dimensions

| | |
|--------------------------------|--------|
| Exterior size: right to left | 24.764 |
| Exterior size: front to back | 18.74 |
| Large bowl size: right to left | 22.992 |
| Large bowl size: front to back | 17.008 |
| Large bowl: depth | 9 |

Installation

| | |
|----------------------|-----|
| Minimum cabinet size | 30" |
|----------------------|-----|

Product specifications

| | |
|---------------------|------------|
| Installation type | Undermount |
| Drain hole | 3 1/2" |
| Position of drainer | No drainer |

Product identification

| | |
|----------------|--------|
| Product brand | FRANKE |
| Product family | Smart |
| Collection | Grande |
| Certified by | IAPMO |

Features

| | |
|----------------------------|------------|
| Drainers number | No drainer |
| Product reversibility | No |
| Faucet ledge | No |
| Strainer assembly included | No |

| | |
|------------------------|----------------|
| Strainer assembly type | No waste kit |
| Overflow | No |
| Number of faucet holes | No faucet hole |
| Soap dispenser hole | No |