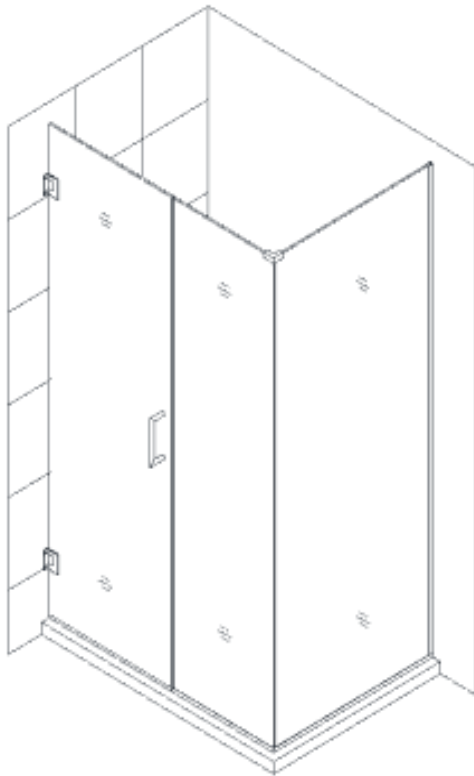


UNIDOOR PLUS (STYLE I)

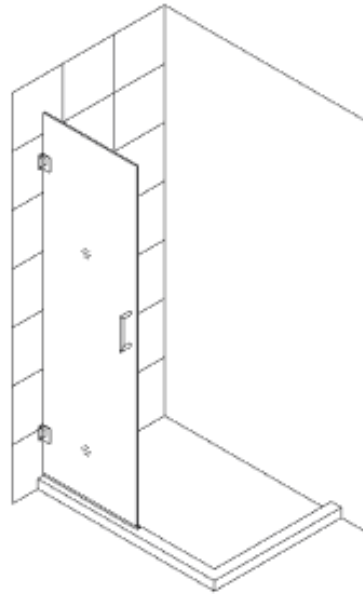
SHOWER DOOR & GLASS PANEL INSTALLATION INSTRUCTIONS

IMPORTANT

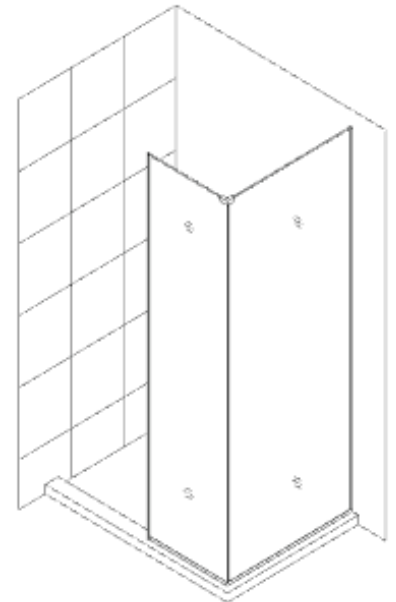
DreamLine[®] reserves the right to alter, modify or redesign products at any time without prior notice. For the latest up-to-date technical drawings, manuals, warranty information or additional details please refer to your model's web page on **DreamLine.com**



STYLE I



STEP 1: Install Shower Door



STEP 2: Install Panels



Questions?

Please Call **DreamLine Customer Support: 1-855-831-2126**
Hours of Operation M-F 8AM - 7PM EST and Saturday 9AM - 5PM EST

Support@DreamLine.com



For more information about DreamLine Shower Doors, Tub Doors and Enclosures, please visit DreamLine.com

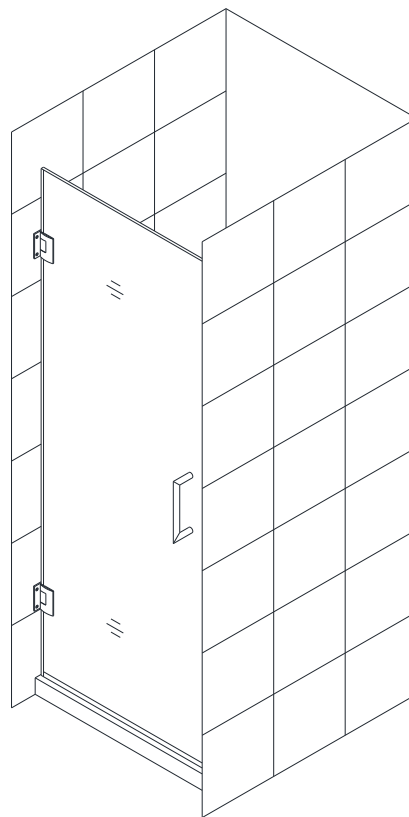


UNIDOOR/UNIDOOR-LS/UNIDOOR LUX/UNIDOOR PLUS

SINGLE SHOWER DOOR INSTALLATION INSTRUCTIONS

IMPORTANT

DreamLine® reserves the right to alter, modify or redesign products at any time without prior notice. For the latest up-to-date technical drawings, manuals, warranty information or additional details please refer to your model's web page on **DreamLine.com**



Right-hand installation shown

Model #s

- SHDR-20237210F-##
- SHDR-20247210F-##
- SHDR-20257210F-##
- SHDR-20267210F-##
- SHDR-20277210F-##
- SHDR-20287210F-##
- SHDR-20297210F-##
- SHDR-20307210F-##

= Finish

- 01 = Chrome
- 04 = Brushed Nickel
- 06 = Oil Rubbed Bronze
- 09 = Satin Black
- HFR=Half-Frosted

NOTE: The glass-to-wall hinges for this door must be attached into studs or to preinstalled 2" x 6" wood reinforcement behind the wall.

Please review this entire manual prior to beginning installation.

ATTENTION: Please see specific installation instructions on page 2 when using the **Frosted Band glass option.**



Questions?

Please Call **DreamLine Customer Support: 1-855-831-2126**
Hours of Operation M-F 8AM - 7PM EST and Saturday 9AM - 5PM EST

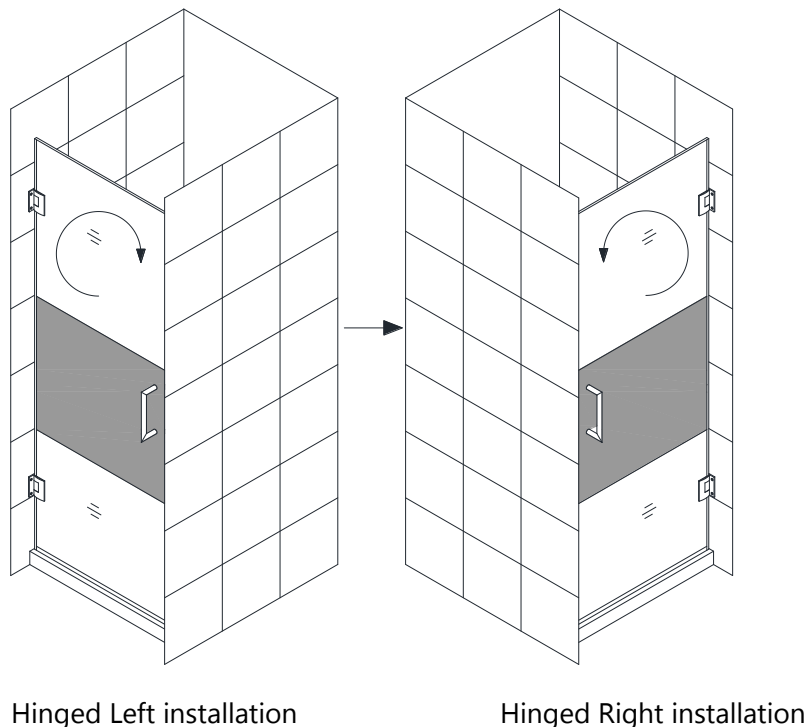
Support@DreamLine.com



For more information about DreamLine® products please visit DreamLine.com

Style "A" (single door installation shown) with Half-Frosted Glass:

NOTE: This model features the Half-Frosted glass option. The textured surface on the door glass should be installed to face outside of the shower. The door glass can be flipped for left or right-hand installation.



This model is treated with DreamLine's exclusive ClearMax™ Glass technology. This is a specially formulated coating that prevents the build up of soap and water spots.

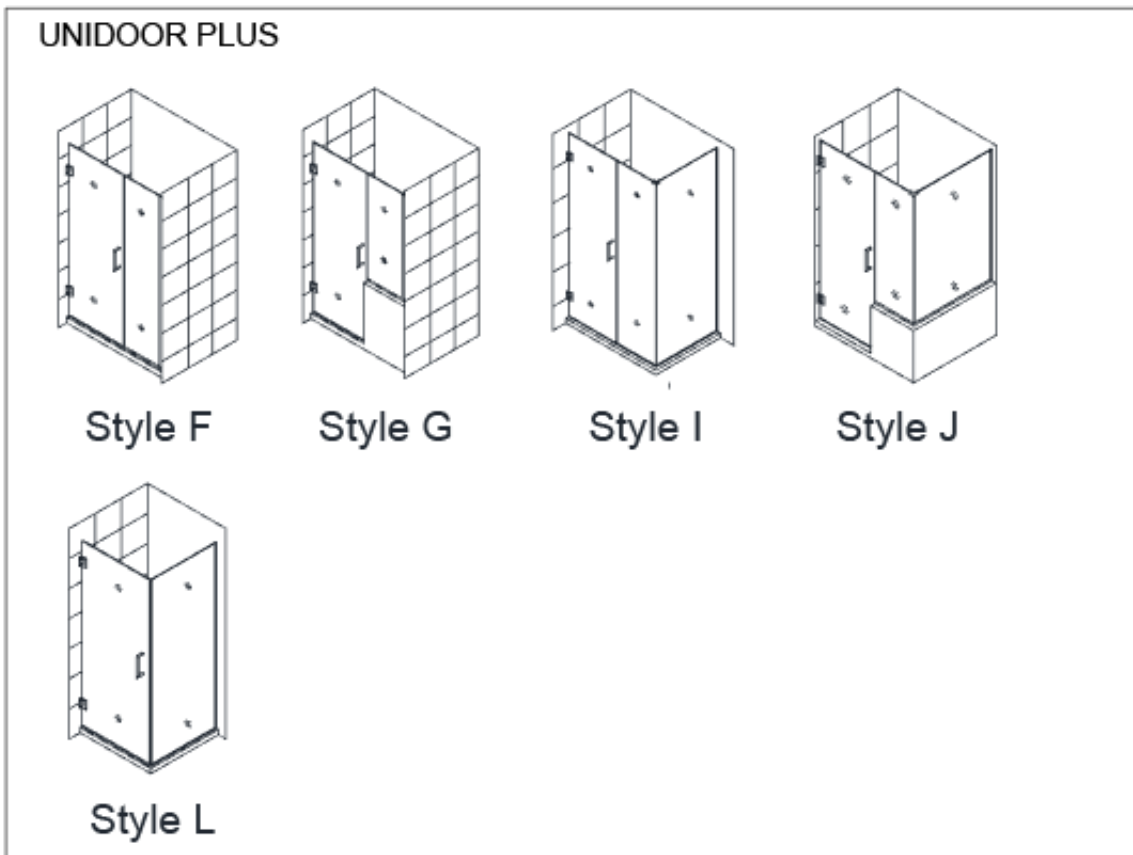
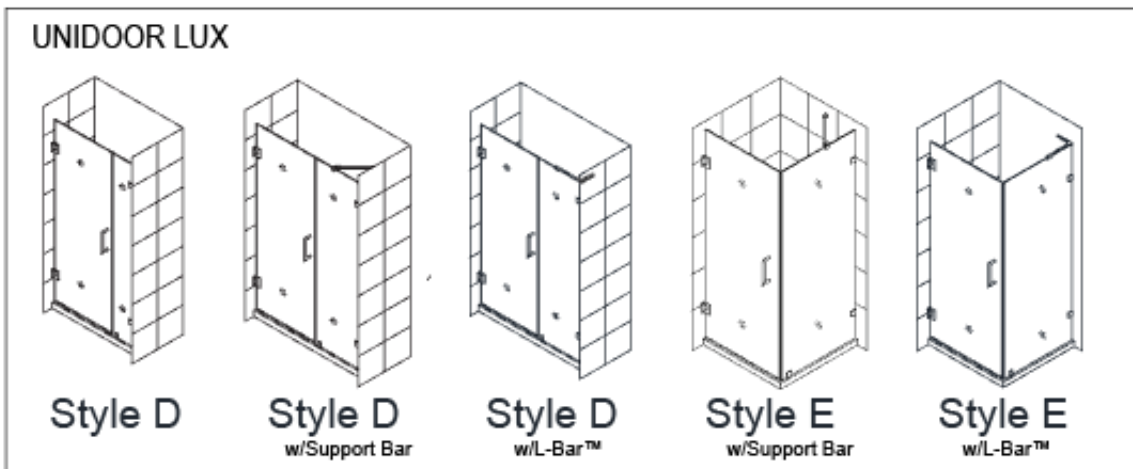
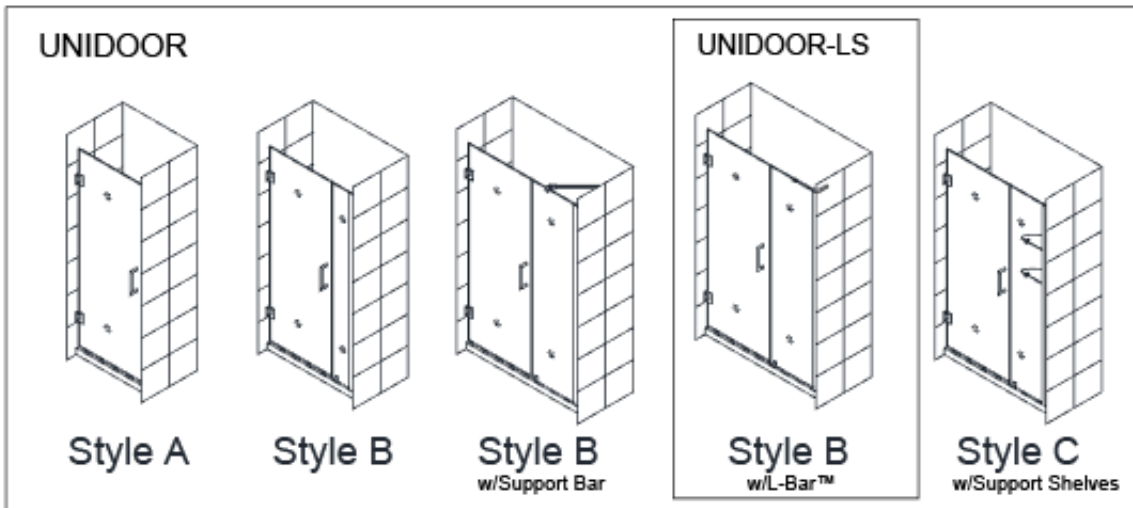
Install the surface with the ClearMax™ label towards the inside of the shower. Please note that depending on the model, the glass may be coated on either one or both surfaces.

For best results, squeegee the glass after each use and dry with a soft cloth.

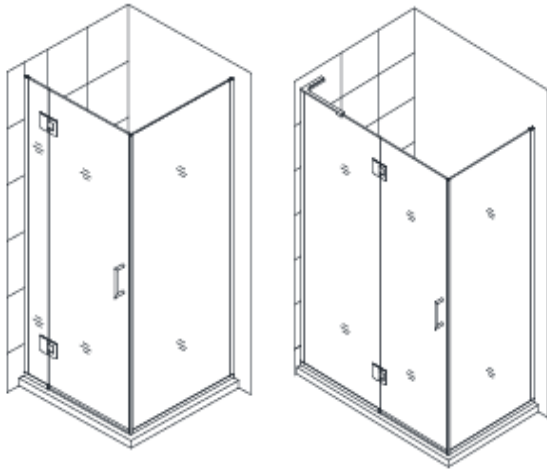
Table of Contents

Section Title	Page #
Unidoor Styles	4-7
Preparation	8
Tools	9
Required Reinforcement locations	10
Glass and Hinge hole details	11-12
Detailed Diagram of Shower Door Components and Parts List	13
Installation Instructions	14-21
Adjustable Hinge Details	17-18
Handle	19
Vinyl Seals	19-20
Product Maintenance	22

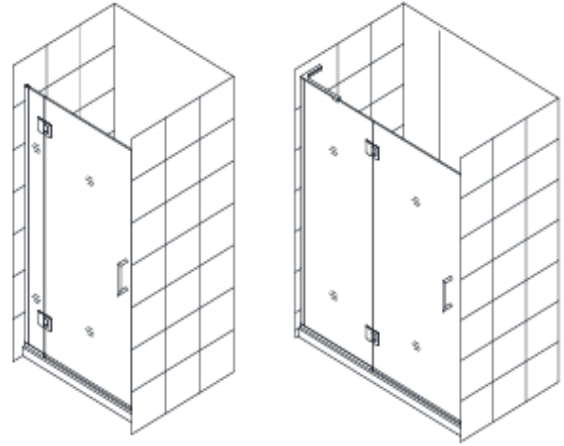
UNIDOOR STYLES- Models with Glass-to-Wall hinges



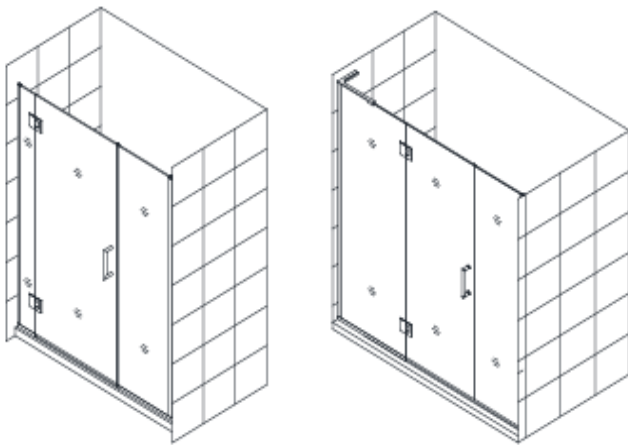
Models with Glass-to-Glass Hinge panels: For Glass-to-Glass Hinge Door models:
Use the installation manual that is packaged with the Hinge panel glass first.



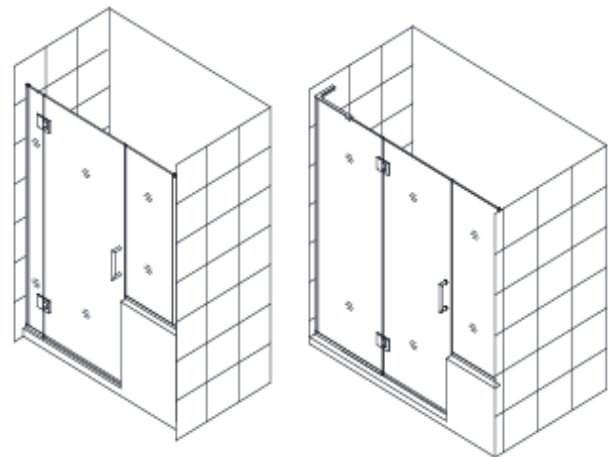
Style L1



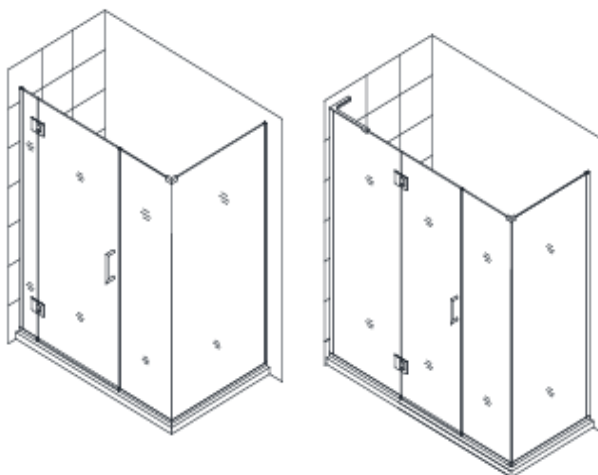
Style M



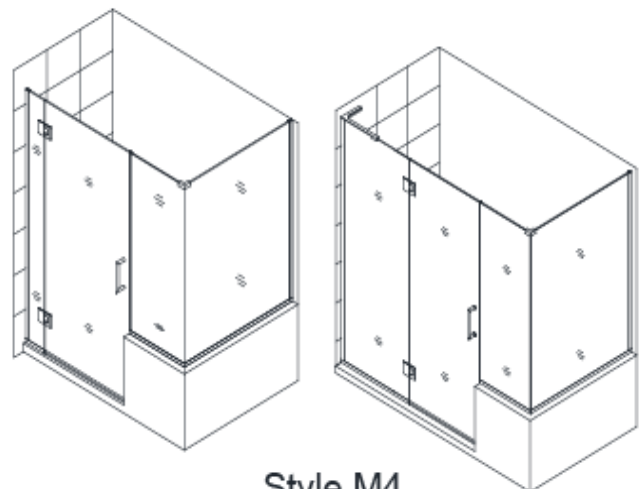
Style M1



Style M2



Style M3



Style M4

STYLE A**UNIDOOR** Single shower door 23" - 30"

Refer to detailed diagram on page 12 of this manual to begin the installation.

STYLE B ***UNIDOOR** Shower door 23" – 30" with 6" small or 12"-30" large stationary panel with a Support Bar**UNIDOOR-LS** Shower door 23" – 30" with 12"-30" large stationary panel with an L-Bar™**STYLE C *****UNIDOOR** Shower door with 12"-30" large stationary panel with Support shelves**STYLE D *****UNIDOOR LUX** Shower door 23"~30" with 6" small or 14"-30" large stationary panel with glass-to-wall brackets**STYLE E *****UNIDOOR LUX** Shower enclosure with 30" return stationary panel with glass-to-wall brackets**STYLE F *****UNIDOOR PLUS** Shower door 23"~30" with 6"-34" in-line stationary panel secured using u-channel**STYLE G *****UNIDOOR PLUS** Shower door 23"~30" with 6"-34" in-line half wall panel secured using u-channel**STYLE I *****UNIDOOR PLUS** Shower enclosure with 6"-34" in-line stationary panel and 30"-34" return panel secured using u-channel**STYLE J *****UNIDOOR PLUS** Shower enclosure with 12"-36" in-line half wall panel and 30"-34" return panel secured using u-channel**STYLE L *****UNIDOOR PLUS** Shower enclosure with 30"- 34" return stationary panel secured using u-channel**STYLE L1 *^****UNIDOOR X** Shower door 23"~30" with 6" or 24" hinge panel and with 30"- 34" full height return panel secured using u-channel**STYLE M *^****UNIDOOR X** Shower door 23"~30" with 6" or 24" hinge panel secured using u-channel**STYLE M1 *^****UNIDOOR X** Shower door 23"~30" with 6" or 24" hinge panel and with 6", 6-1/2", 14", 14-1/2", 22" or 22-1/2" full height inline panel secured using u-channel

STYLE M2 *^

UNIDOOR X Shower door 23"~30" with 6" or 24" hinge panel with 12", 18", 24" or 26" inline buttress panel secured using u-channel

STYLE M3 *^

UNIDOOR X Shower door 23"~30" with 6" or 24" hinge panel, with 6", 6-1/2", 14", 14-1/2", 22" or 22-1/2" full height inline panel and 30" - 34" full height return panel secured using u-channel

STYLE M4 *^

UNIDOOR X Shower door 23"~30" with 6" or 24" hinge panel, with 12", 18", 24" or 26" in-line buttress panel and 30"- 40" buttress return panel secured using u-channel

*** For the panel installation instructions, please refer to the separate manual included in the panel glass packaging.**

^ For Glass-to-Glass door installation, please refer to the separate manual included in the hinge panel glass packaging.

NOTE: The Unidoor series doors and enclosures are reversible for left or right-hand installation. This manual will show the right-hand installation. For a left-hand installation, simply begin on the opposite wall and reverse the orientation of the parts as necessary.

Preparation

1. Prior to installation, examine all boxes and packages for shipping damage and compare the piece count with your packing slip. After opening all boxes and packages read this introduction carefully. Check that all of the necessary parts are included in the package(s) by checking off the components on the "Detailed Diagram of Shower Door Components". If the unit has been damaged, has a finishing defect, or is missing parts, please contact our customer support department within **3 business days** of the delivery date. Please note that **DreamLine® will not replace any damaged products or missing parts free of charge after 3 business days or if the product has been installed.** Please contact DreamLine® if you have any questions and please provide an order number, job name or other proof of purchase to help identify the original order.
2. **Please note that you should consult your local building codes with questions about installation compliance standards. Building and plumbing codes may vary by location, and DreamLine® is not responsible for code compliance standards for your project and will not accept any returns.**
3. If this unit is going to be installed in a new construction, install all of the required plumbing and drainage before installing the shower. **Use a competent and licensed (if required by local code) plumber for all plumbing installation.**
4. Make sure that prior to beginning the installation, the surfaces are leveled and solid and will be able to support the total weight of the unit. Also make sure the walls are at right angles. Irregular installation surface level, radius corners or improper angle of side walls will result in serious problems for your installation. Please note that some adjustments and drilling will be necessary during the installation process.
5. Protect all primary surfaces of the product during installation. Never set glass down directly onto a hard surface unless instructed. Leave corner protectors in place until necessary to remove them. Always use a piece of wood or cardboard to protect the bottom edge and corners of the glass prior to and during installation to prevent damage.
6. **This unit must be installed upon a level finished threshold and against plumb finished walls.**
7. **This door is extremely heavy and the hinges on this door must be attached into studs or to preinstalled 2" x 6" wood reinforcement behind the wall. See pages 9, 10 & 11 for details.**
8. The **single** Unidoor installation does NOT have any adjustment for out-of-plumb or out-of-level conditions. Please verify that the walls are plumb and the threshold is level before proceeding with the installation.
9. **Professional installation is recommended** for this heavy glass frameless shower door.



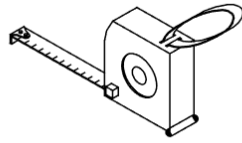
NOTE: DO NOT attach the handle to the door glass until instructed.

DO NOT use the handle to lift the glass during installation. This may result in damage to the glass and/or serious injury. Always use an assistant and/or a professional grade glass suction cup when handling heavy glass panels.

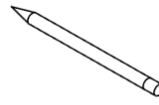
Tools Required



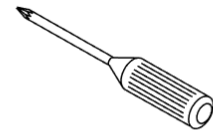
Level



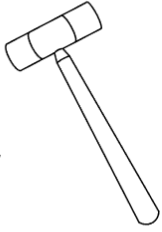
Tape Measure



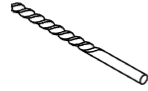
Pencil



Phillips Screwdriver



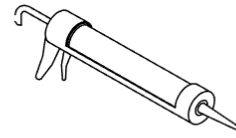
Hammer



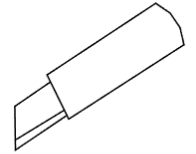
Drill bit
($\varnothing=1/4"$)



Power Drill



Caulk

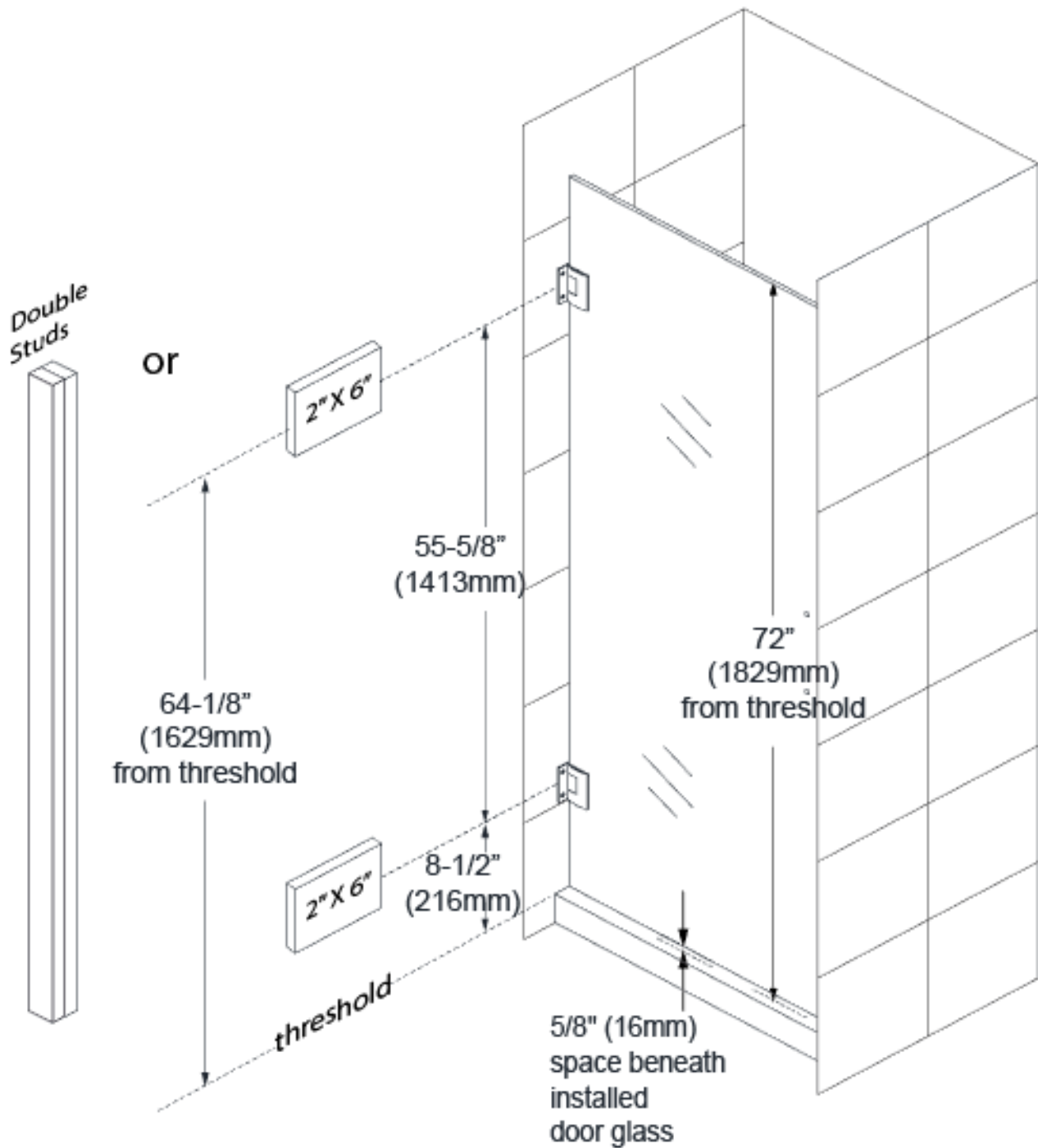


Razor Knife

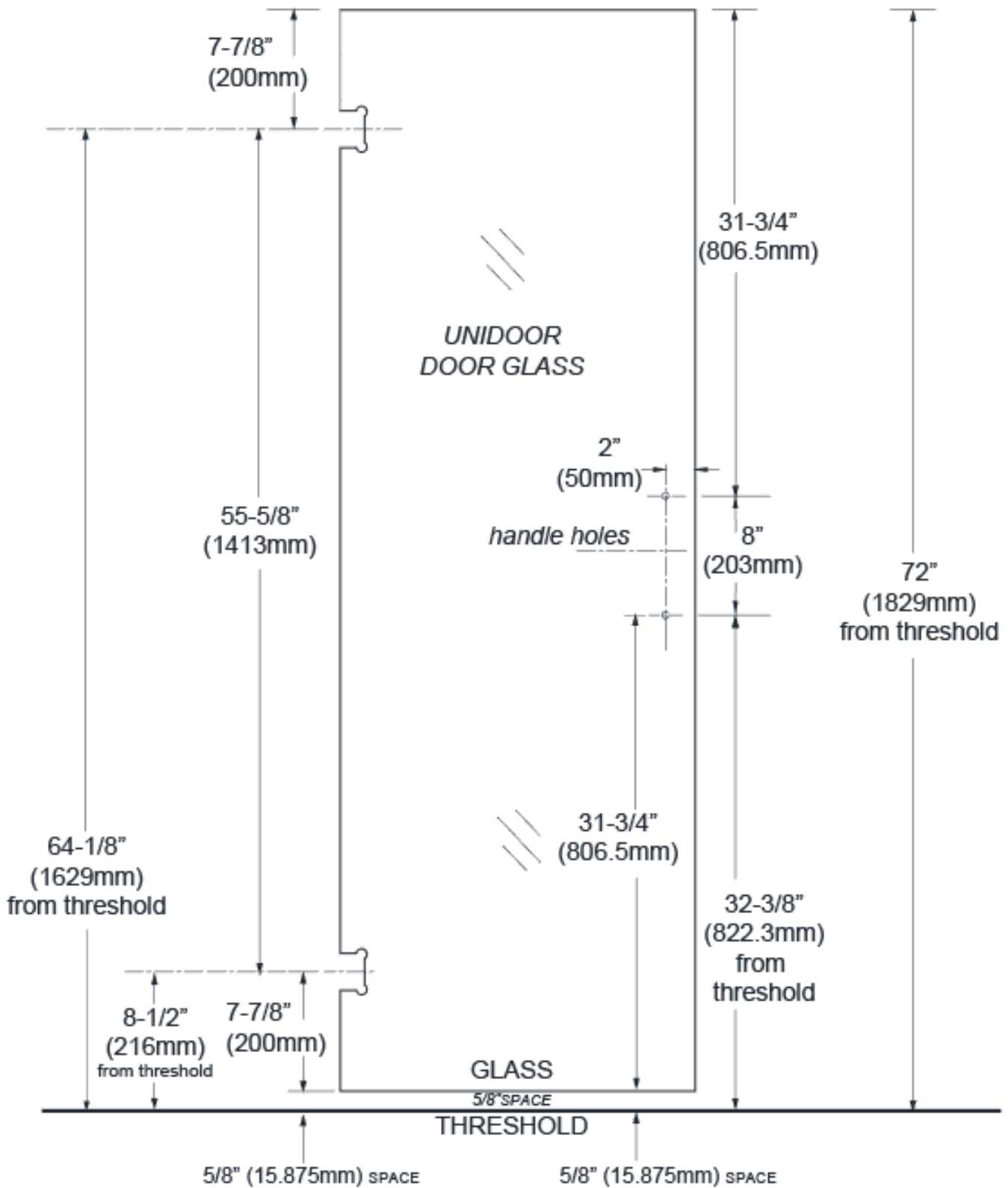


Professional-grade
Glass suction cup

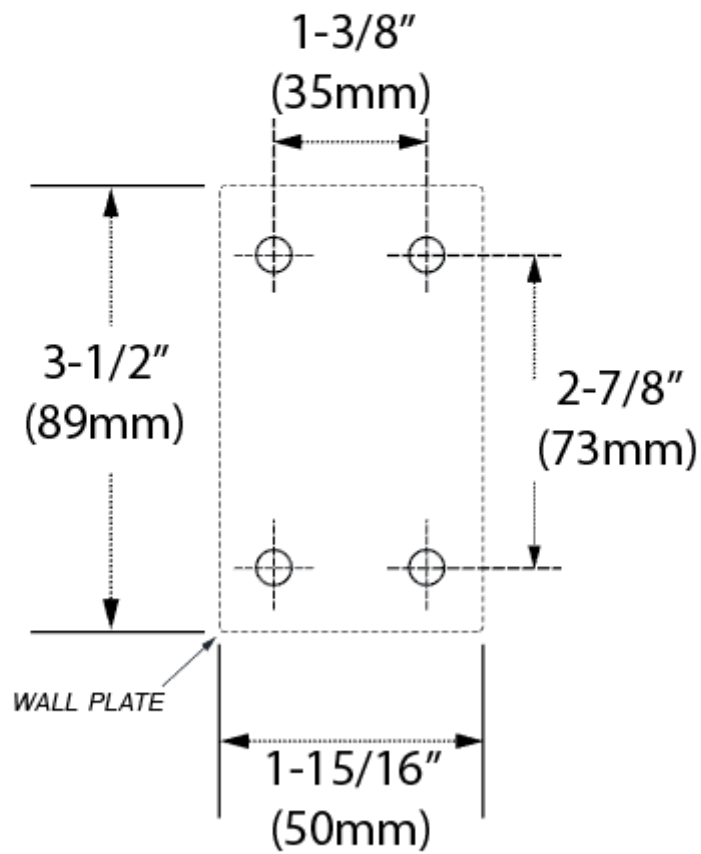
**INSTALL DOUBLE STUDS OR INSTALL 2"X6" WOOD BLOCKING BETWEEN THE STUDS
WHERE THE HINGES WILL ATTACH TO THE WALL**



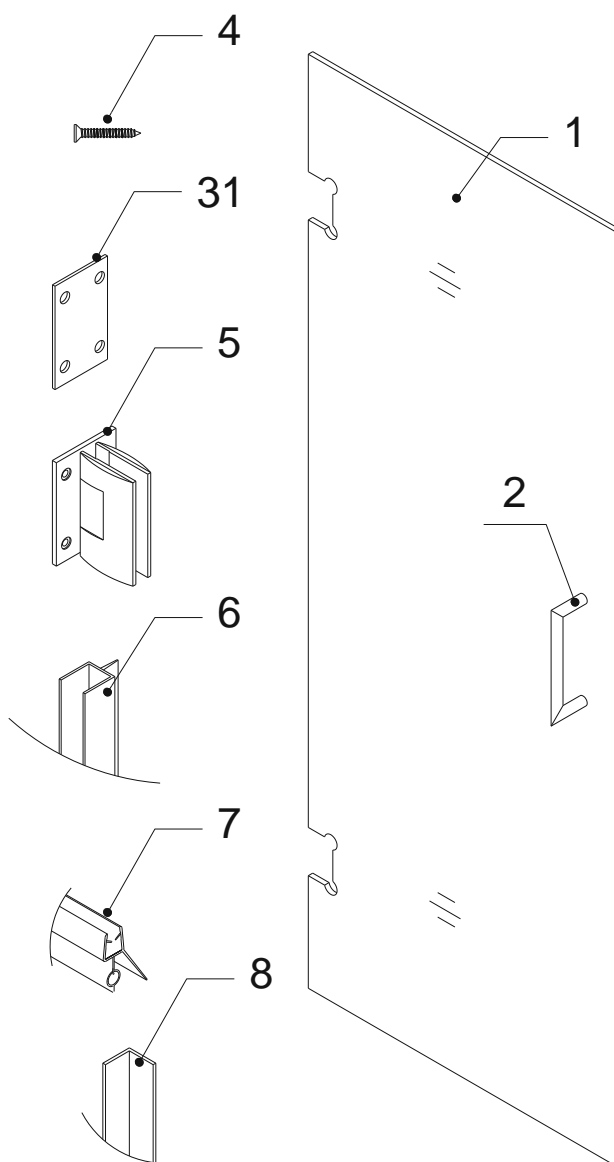
UNIDOOR GLASS-TO-WALL HINGE AND HANDLE LOCATION



UNIDOOR GLASS-TO-WALL HINGE - HOLE ARRAY



Detailed Diagram of Shower Door Components



The glass surface with the **ClearMax™** label must be installed to face inside of the shower

Packing List

Part#	Description	Qty	Part#	Description	Qty
01	Door glass	1pc	06	Side strip (hinge side)	1pc
02	Handle	1pc	07	Bottom anti-water strip (sweep)	1pc
04	Countersunk screw ST5×70	8pcs	08*	L-shaped strip (strike)	1pc
05	Hinge with Adjustable angle	2pcs	31	PVC hinge spacer	4pcs

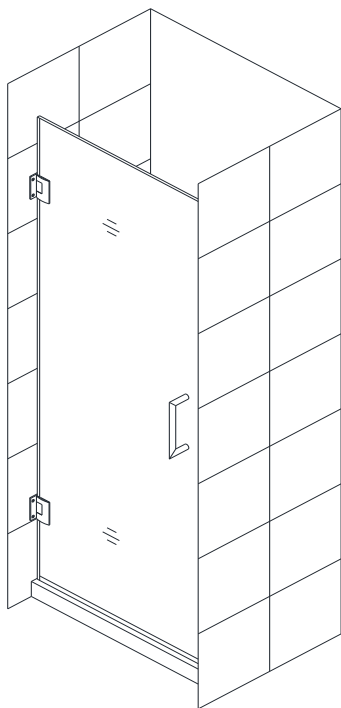
***Part #8 "L-shaped strip" used with single door installation only.**

NOTE: Unpack your unit carefully and inspect it. Lay out and identify all parts using the detailed diagram and packing list in this manual as a reference. Before discarding the carton, check for small hardware bags that may have fallen to the bottom of the box. If any parts are damaged or missing, please contact DreamLine® for replacement.

NOTE: Retain these installation instructions for future reference.

Single Shower Door Assembly and Installation

NOTE: The following shower door installation instructions should be used as a general guide and prerequisite to the installation of the UNIDOOR, UNIDOOR-LS, UNIDOOR LUX and UNIDOOR PLUS models. Before you begin the installation, please check your finished opening size. Specific size information can be found on DreamLine.com



ATTENTION:

This door is extremely heavy and the hinges on this door must be installed into studs or to preinstalled 2×6 wood reinforcement behind the wall.

NOTE: DO NOT attach the handle to the door glass until instructed.
DO NOT use the handle to lift the glass during installation. This may result in damage to the glass and/or serious injury. Always use an assistant or a professional grade glass suction cup when handling the door glass.

1. Attach the **Hinges (05)** to the **Door Glass (01)**. Use one hinge gasket per side. Attach the hinges centered in the notches and square with the edge of the door glass. Fully tighten the hinge bolts. **(Fig 1)**

Never set your glass down directly onto a tile or concrete floor.

Always use a piece of wood or cardboard and leave the corner pads and protective shims on the glass until it becomes necessary to remove them. This will protect the bottom edge and corners from damage which could lead to breakage.

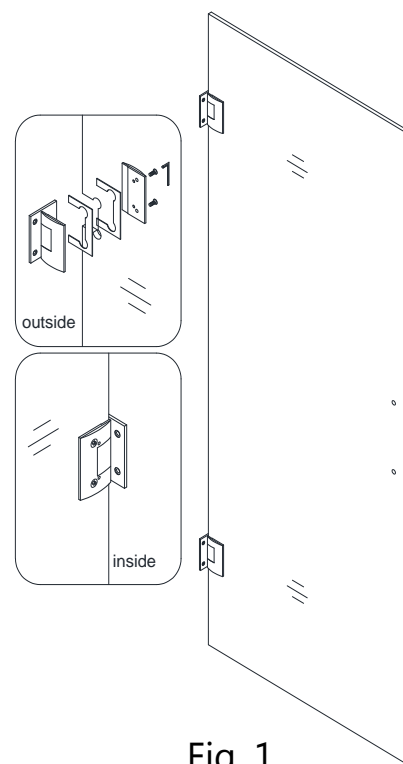


Fig. 1

ATTENTION:

For Styles E, I, J & L that have return panels:

Please check the model dimensions for proper placement of the Door Glass (01) so that the door glass will align correctly with the return panel glass.

2. The **Door Glass (01)** ships with four 5/8" shims attached to the top (2pcs) and bottom (2pcs). Determine the swing of your door and only remove the shims from the top of the door glass, leaving the bottom shims in place. Set the **Door Glass (01)** onto the threshold at the desired location and check for level. These 5/8" shims will leave the proper spacing at the bottom of the door glass and will ensure that the door height finishes at 72", but always confirm with a measurement. Carefully butt the door with the hinged side against the wall, adjust its position and check for plumb with a level. **(Fig 2)**

ATTENTION:

Check the door glass with a level to verify that it is plumb before marking the hinge positions.

TIP:

When installing the door along with panel glass, use the 72" Anti-Water strip (Inline) (19) that is packed with the panel glass as a height reference to be sure that the door height will match the panel glass at 72".

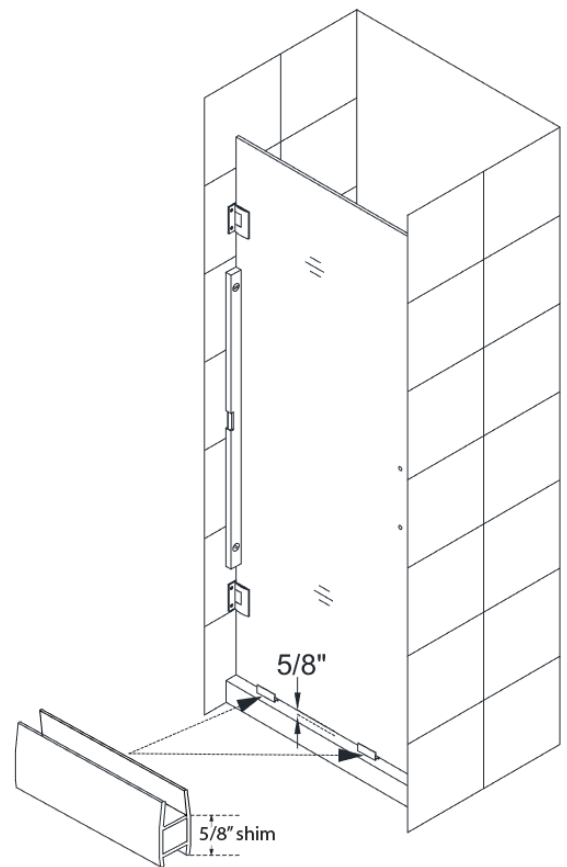


Fig. 2

3. Hold the door in place and mark the drill holes for both **Hinges (05)** on the wall. Set the door aside and use a $\text{Ø } 1/4\text{"}$ drill bit to drill holes up to the stud. Drill 1/8" pilot holes into the stud if necessary.

IMPORTANT:

The included PVC hinge spacers (31) are provided to compensate for minor out-of-plumb wall conditions. Use only as necessary as their use could compromise the opening size of your shower. Please see Fig 4 for an installation example*.

4. Place the **Door Glass (01)** back onto the threshold along with the 5/8" spacers and attach both hinges to the wall with two **Countersunk screws ST5×70 (04)** on the hinge from outside of the shower. Then open the door and install the remaining screws to both wall plates from the inside.

(Fig 3 and Fig 4)

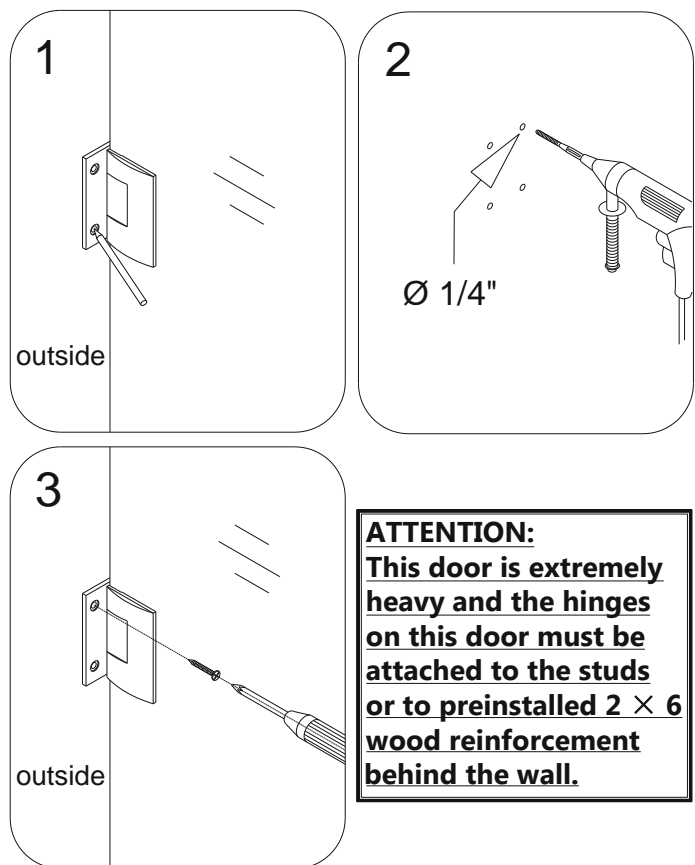


Fig. 3

TIP: The PVC hinge spacer can also be used as a template to assist with marking the hinge mounting holes.

***Only use the PVC hinge spacer to correct for minor out-of-plumb wall conditions.**

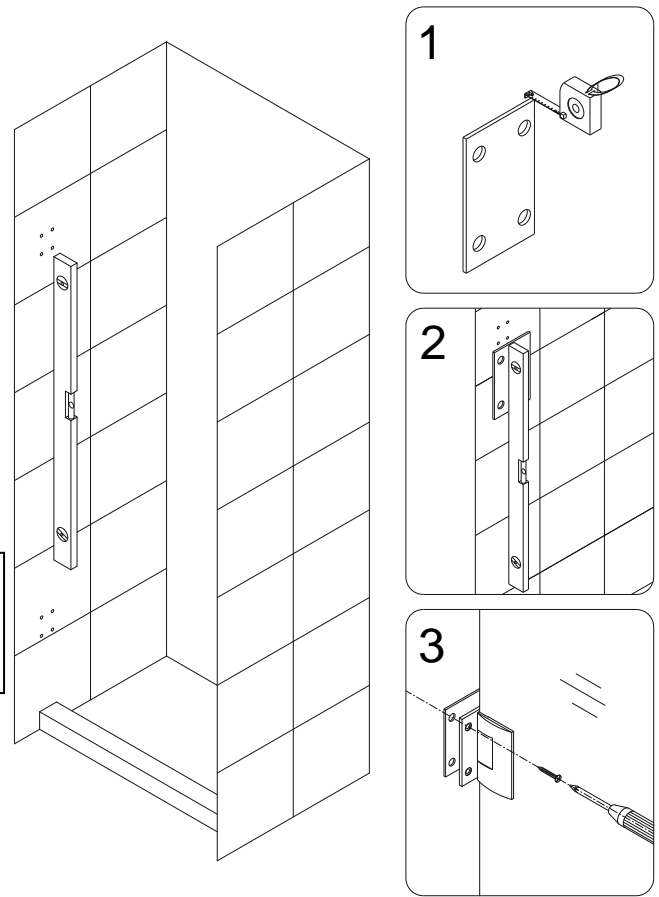


Fig. 4

ATTENTION:

As viewed from inside the shower, the hinge plate is very close to the drilled holes in the wall and might get scratched while installing the long screws. Be careful not to scratch the hinge surfaces during installation.

(OPTIONAL)

- Carefully remove the hinge plates from the **Hinges (05)** (Fig 5.1), remove the **Door Glass (01)** and carefully set it aside.

Install the remaining **Countersunk screws ST5 x 70 (04)** into the wall, place the **Door Glass (01)** (with the 5/8" bottom spacers still attached) back into position onto the **Hinges (05)** and re-assemble the **Hinges (05)**. Once the door glass is secure, remove the 5/8" spacers from beneath the **Door Glass (01)**. (Fig 5)

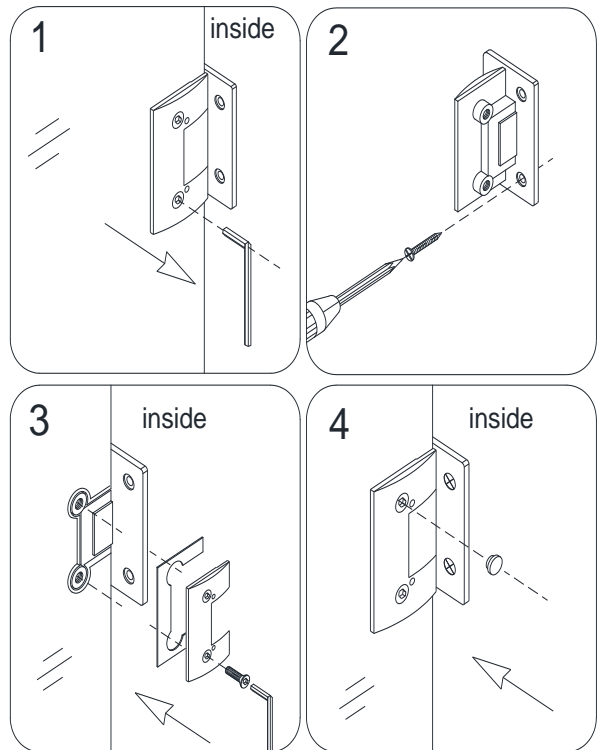
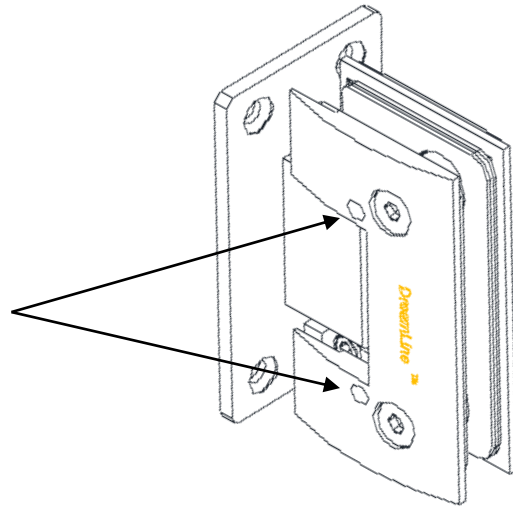


Fig. 5

Setting the Adjustable Hinges

The Adjustable hinges are pre-set to overclose to 85° and are adjustable up to 90° after the door is installed. Once the door glass is installed, simply loosen the Allen set screws and position the door to the desired closed position. While holding the door in the new closed position, retighten the Allen screws and your door will now self-center to the chosen closed position.



5a. Make sure the door glass is plumb and the edge of the hinge is installed flush with the glass edge. Center the hinge in the glass notch and tighten the faceplate screws (**Fig 5a**). Be careful not to scratch the finished surfaces of the hinge during installation.

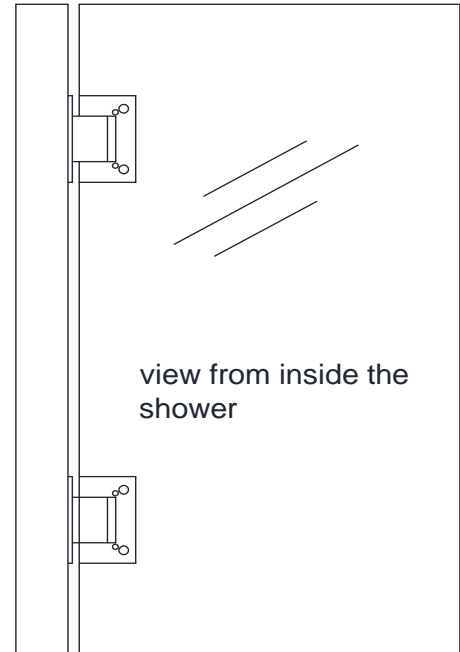


Fig 5a

5b. The hinges are factory set to 85 degrees. You can change this angle by using the adjustment screws on the hinge plate.

(Fig 5b)

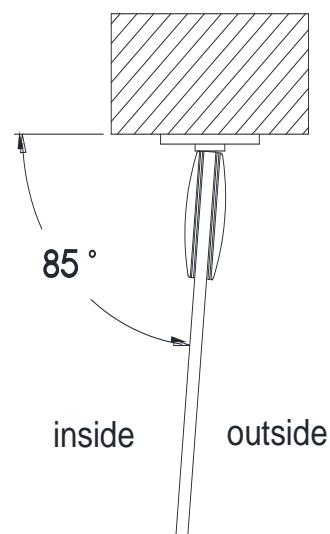


Fig 5b

5c. Use the supplied Allen Key to loosen the adjustment screws on the inside hinge plate, adjust the door to the desired angle (90 degrees for example) then retighten the adjustment screws **(Fig 5c)**. Be sure that you create a tight seal with the supplied strike vinyl when the door is in the closed position.

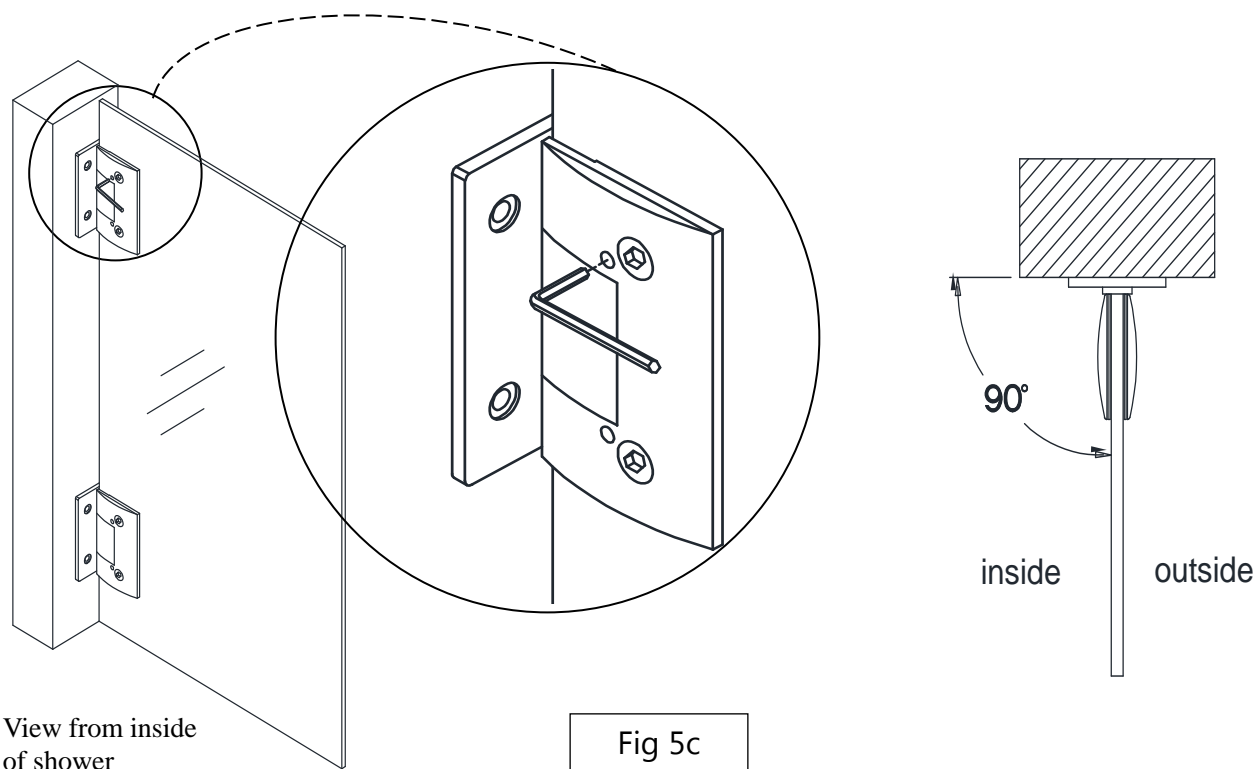


Fig 5c

6. Mount the **Handle (02)** to the **Door Glass (01)**.
(Fig 6)

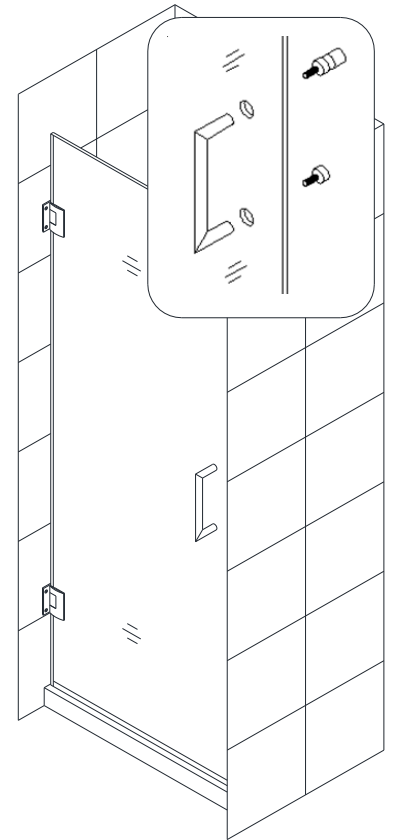


Fig. 6

7. Measure the bottom of the **Door Glass (01)** from end to end to determine the actual width of the **door**. Cut the **Bottom anti-water strip (07)** to the size of your measurement and notch approximately $3/8''$ off the inner side of the **Bottom anti-water strip as shown**. Press the **Bottom Anti-water strip (07)** tightly onto the bottom edge of the **Door Glass (01)**.

NOTICE:

Make sure the **Bottom anti-water strip** is flush to the vertical edge of the **Handle side** of the **Door Glass**.

(Fig 7)

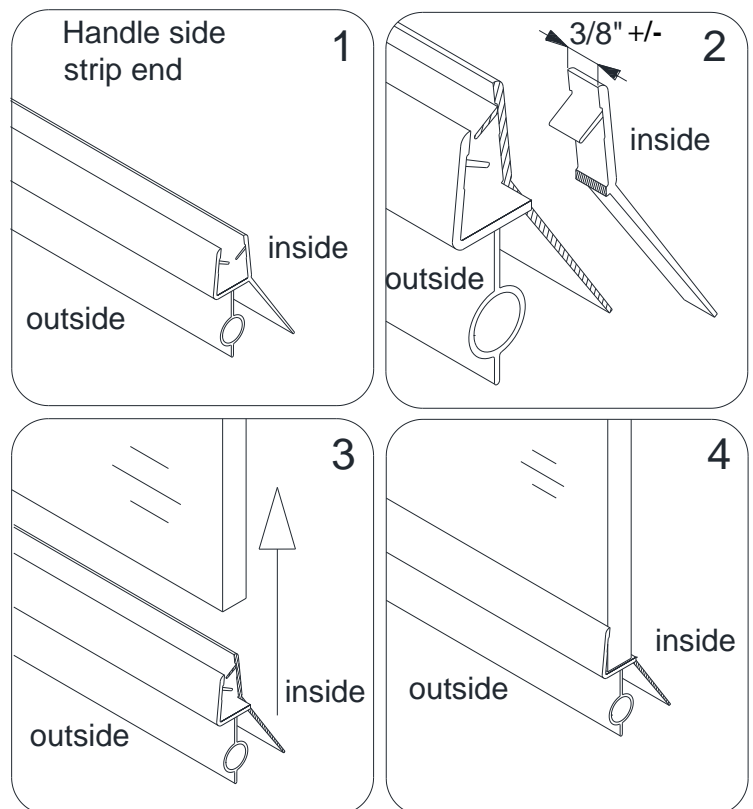


Fig. 7

8. Take three measurements:

- from the top edge of the **Door Glass (01)** to the upper body of the top **Hinge (05)** (+) $7/8''$
- from the lower body of the upper **Hinge** to the upper body of the bottom **Hinge** (+) $1-3/4''$
- from the lower body of the bottom **Hinge** to top of the installed **Bottom anti-water strip (07)** (+) $1-7/8''$

Cut the **Side strip (06)** according to the measurements.

Notch the cut strips to be able to slide them into the **Hinge** and around the sweep vinyl to cover the space to the wall.

Press the cut strips onto the vertical edge of the **Door Glass**.

(Fig 8)

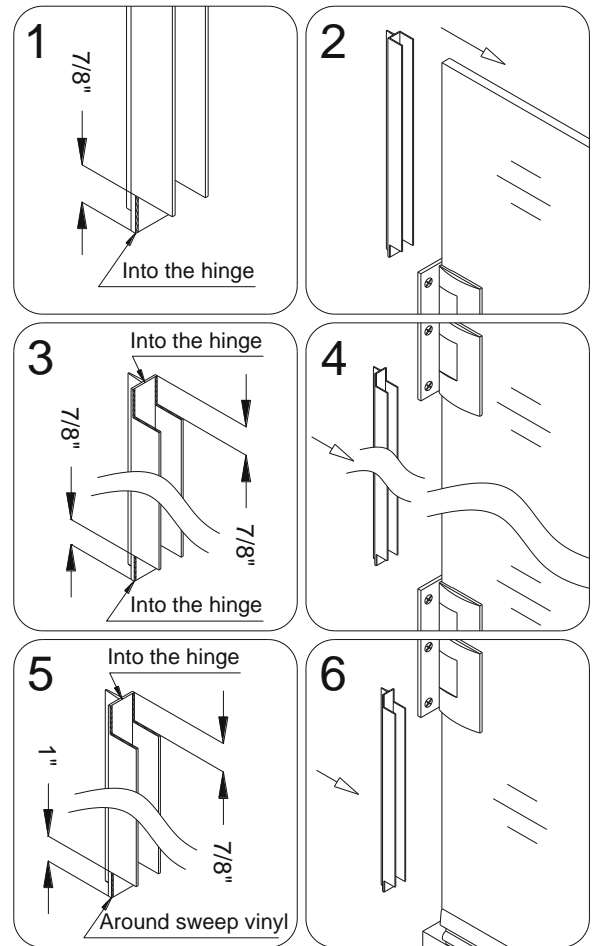


Fig. 8

ATTENTION; Prior to the next step, please be sure that the section of the wall where you need to attach the L-shaped strip (08) is clean, dry and free from soap, oil and any construction debris.

- 9.** Hold the door in the closed position, parallel to the threshold. Place the ***L-shaped strip (08)** onto the door edge. Make sure that the door glass makes good contact with the entire length of the **L-shaped strip (08)**, and mark its location on the wall.

Open the door. Remove the tape backing from the adhesive strip and firmly press the **L-shaped strip (08)** to the wall.

Allow 24 hours for the adhesive to fully setup before use.

(Fig 9 and Fig 10)

***NOTE:**

The above procedure for installing the L-shaped strip (08) is for the Unidoor Style A single shower door installation only. When installing another model with additional panel glass, please refer to the separate panel installation manual located in the glass packaging for model specific instructions. The vinyl seals that apply to the panel glass are packaged with the panel glass.

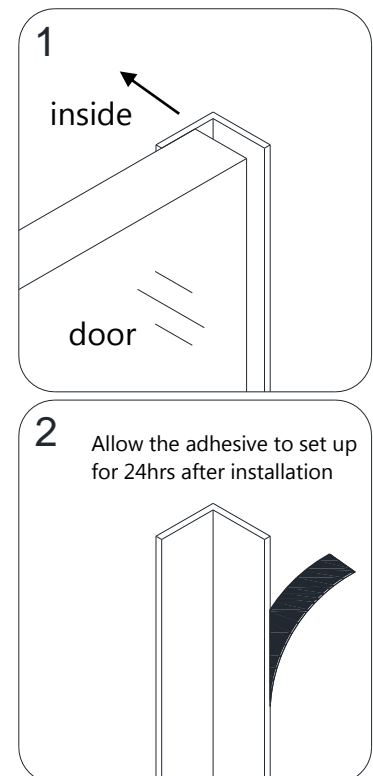


Fig. 9

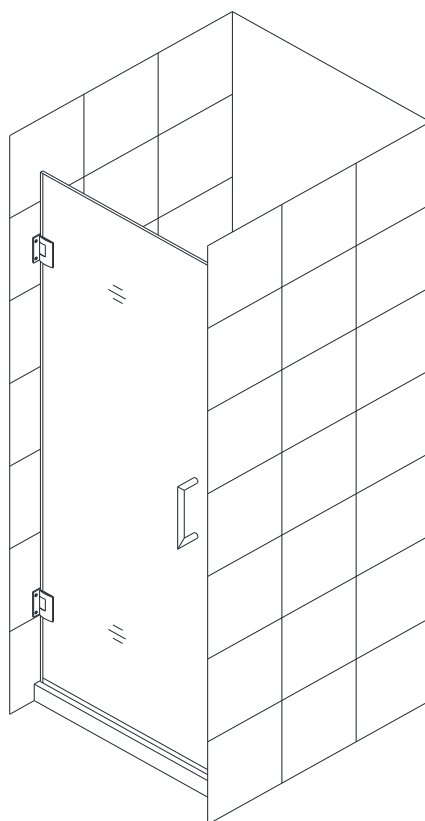


Fig. 10

**If the model includes additional panel glass,
refer to the manual that is packaged with
the panel glass to continue with the installation.**

Product Maintenance

BASES and BACKWALLS: To ensure long-lasting life for your acrylic back walls: wipe them off after each use with a soft cloth. To clean the acrylic back walls use non-abrasive sprays or cream based cleaners. Avoid the use of aerosol spray cleaners. Never use abrasive cleansers, metal brushes or scrapers that could scratch or dull the surface.

GLASS: To ensure long-lasting life for your glass shower products: wipe them off after each use with a soft cloth. Rinse and wipe off the glass using either a soft cloth or a squeegee to prevent soap buildup and water spots (Hard water can etch the surface of the glass over time if left to dry). To prevent scratching the surface: never use abrasive cleaners or cleaning products that contain scouring agents. Never use bristle brushes or abrasive sponges that may scratch the surface.

HARDWARE: To ensure a long-lasting finish: wipe off the metal parts after each use with a soft cloth. Do not use abrasive cleaners or cleaning products containing ammonia, bleach or acid. If accidentally used, rinse the surface as soon as possible to prevent damage to the finish (peeling or corrosion). After cleaning the polished finishes, rinse thoroughly and wipe dry with a soft cloth. Clean stainless steel surfaces at least once a week. When applying stainless steel cleaner or polish to stainless steel hardware, work with (not across) the grain. Never use an abrasive sponge or cloth, steel wool or wired brush as these may permanently scratch the surfaces.

NOTE: To maximize the life of your door, it is important to regularly inspect the glass and other hardware for misalignment, proper attachment, and/or damage. Contact DreamLine® with any questions or concerns.

DreamLine® shower doors and enclosures are designed not to leak when installed properly and the flow of water is not pointed directly at the wall-mounted hinges or vinyl seals.



TEL: [866-731-2244](tel:866-731-2244)

FAX: [866-857-3638](tel:866-857-3638)

DREAMLINE.COM

For more information on [DreamLine® Shower Doors](#) and [Enclosures](#) please visit DreamLine.com

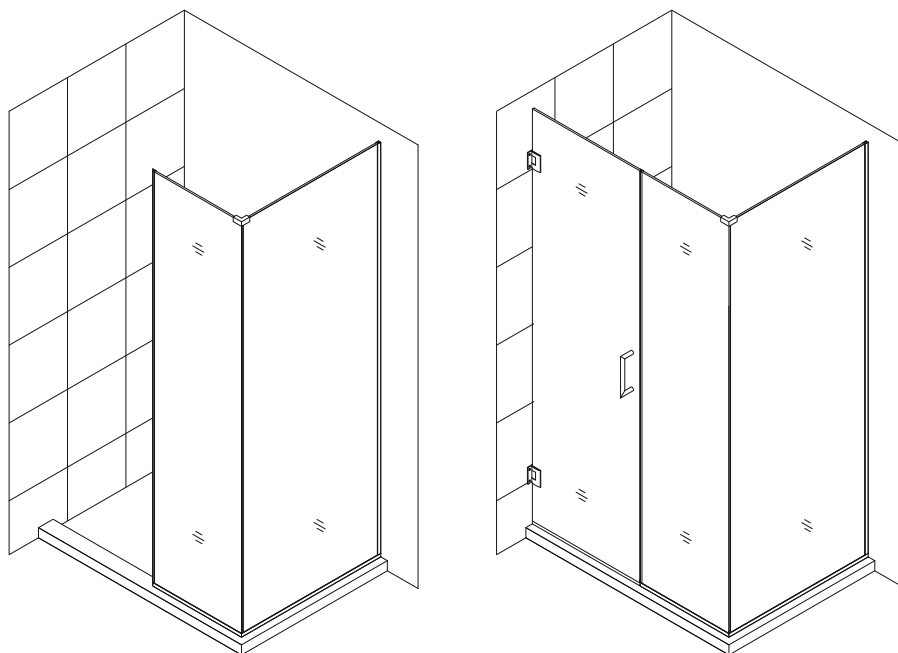


UNIDOOR PLUS (STYLE I)

SHOWER ENCLOSURE GLASS PANEL INSTALLATION INSTRUCTIONS

IMPORTANT

DreamLine® reserves the right to alter, modify or redesign products at any time without prior notice. For the latest up-to-date technical drawings, manuals, warranty information or additional details please refer to your model's web page on DreamLine.com



STYLE I

Right side panel installation shown

ATTENTION: This model is also available with the Half Frosted Band glass option. Please see specific installation instructions on page 2 when applicable.

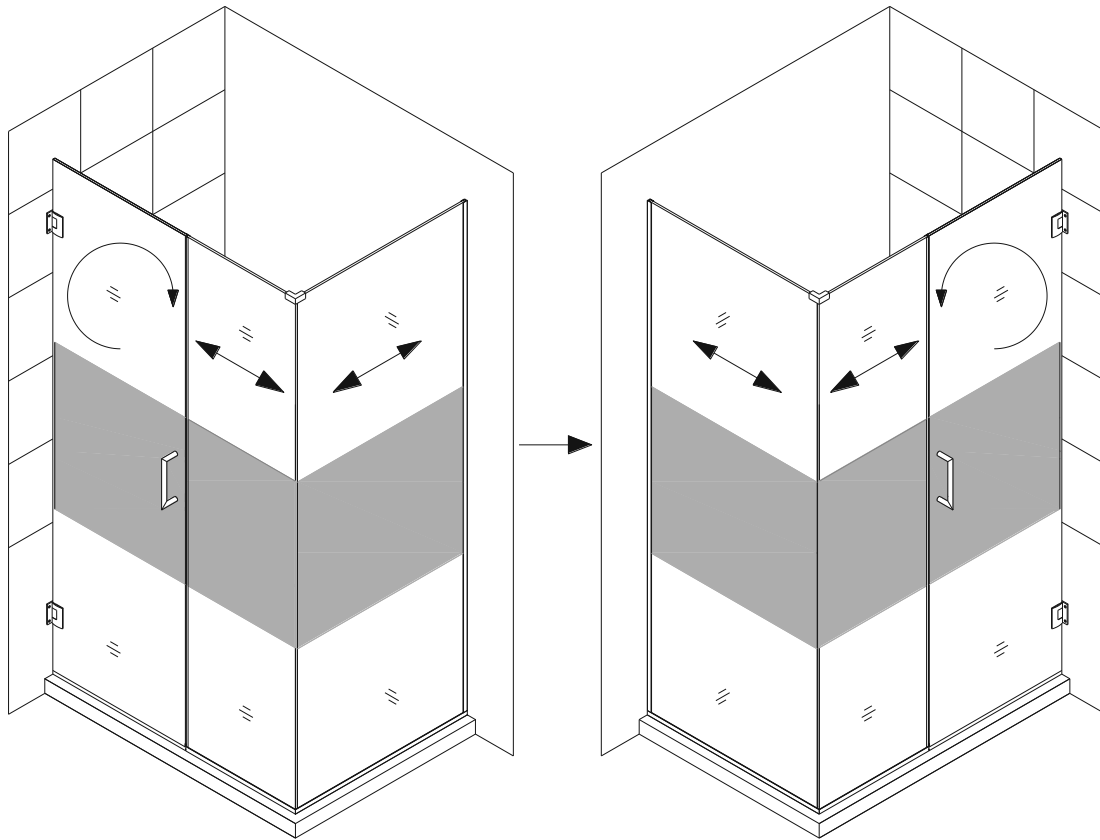
Please read these instructions carefully before installing. If you have any questions regarding installation, please contact our technical support specialists Monday through Friday 8AM – 7PM and Saturday 9AM-5PM EST at Phone: [1-866-731-2244](tel:1-866-731-2244), Fax: [1-866-857-3638](tel:1-866-857-3638) or e-mail our technical support group at Support@DreamLine.com

For more information about DreamLine® products please visit DreamLine.com

Style "I": **Half Frosted Band Glass Installation**

This model features the half frosted glass option. Hinged Left installation shown. To install for hinged Right, flip the door and panels to the proper handing.

NOTE: The textured surface of both the stationary glass and door glass should face outside of the shower.



Hinged Left installation

Hinged Right installation

Model#s:

SHEN-24290300
 SHEN-24290340
 SHEN-24295300
 SHEN-24295340
 SHEN-24300300
 SHEN-24300340
 SHEN-24305300
 SHEN-24305340
 SHEN-24310300
 SHEN-24310340
 SHEN-24315300
 SHEN-24315340
 SHEN-24320300
 SHEN-24320340
 SHEN-24325300
 SHEN-24325340
 SHEN-24330300
 SHEN-24330340
 SHEN-24335300
 SHEN-24335340
 SHEN-24340300
 SHEN-24340340
 SHEN-24345300
 SHEN-24345340
 SHEN-24350300
 SHEN-24350340
 SHEN-24355300
 SHEN-24355340
 SHEN-24360300
 SHEN-24360340
 SHEN-24365300
 SHEN-24365340
 SHEN-24290300-HFR
 SHEN-24290340-HFR
 SHEN-24295300-HFR
 SHEN-24295340-HFR
 SHEN-24300300-HFR
 SHEN-24300340-HFR
 SHEN-24305300-HFR
 SHEN-24305340-HFR
 SHEN-24310300-HFR
 SHEN-24310340-HFR
 SHEN-24315300-HFR
 SHEN-24315340-HFR
 SHEN-24320300-HFR
 SHEN-24320340-HFR
 SHEN-24325300-HFR
 SHEN-24325340-HFR
 SHEN-24330300-HFR
 SHEN-24330340-HFR
 SHEN-24335300-HFR
 SHEN-24335340-HFR
 SHEN-24340300-HFR
 SHEN-24340340-HFR
 SHEN-24345300-HFR
 SHEN-24345340-HFR
 SHEN-24350300-HFR
 SHEN-24350340-HFR
 SHEN-24355300-HFR
 SHEN-24355340-HFR
 SHEN-24360300-HFR
 SHEN-24360340-HFR
 SHEN-24365300-HFR
 SHEN-24365340-HFR

Model#s:

SHEN-24370300
 SHEN-24370340
 SHEN-24375300
 SHEN-24375340
 SHEN-24380300
 SHEN-24380340
 SHEN-24385300
 SHEN-24385340
 SHEN-24390300
 SHEN-24390340
 SHEN-24395300
 SHEN-24395340
 SHEN-24400300
 SHEN-24400340
 SHEN-24405300
 SHEN-24405340
 SHEN-24410300
 SHEN-24410340
 SHEN-24415300
 SHEN-24415340
 SHEN-24420300
 SHEN-24420340
 SHEN-24425300
 SHEN-24425340
 SHEN-24430300
 SHEN-24430340
 SHEN-24435300
 SHEN-24435340
 SHEN-24440300
 SHEN-24440340
 SHEN-24445300
 SHEN-24445340
 SHEN-24370300-HFR
 SHEN-24370340-HFR
 SHEN-24375300-HFR
 SHEN-24375340-HFR
 SHEN-24380300-HFR
 SHEN-24380340-HFR
 SHEN-24385300-HFR
 SHEN-24385340-HFR
 SHEN-24390300-HFR
 SHEN-24390340-HFR
 SHEN-24395300-HFR
 SHEN-24395340-HFR
 SHEN-24400300-HFR
 SHEN-24400340-HFR
 SHEN-24405300-HFR
 SHEN-24405340-HFR
 SHEN-24410300-HFR
 SHEN-24410340-HFR
 SHEN-24415300-HFR
 SHEN-24415340-HFR
 SHEN-24420300-HFR
 SHEN-24420340-HFR
 SHEN-24425300-HFR
 SHEN-24425340-HFR
 SHEN-24430300-HFR
 SHEN-24430340-HFR
 SHEN-24435300-HFR
 SHEN-24435340-HFR
 SHEN-24440300-HFR
 SHEN-24440340-HFR
 SHEN-24445300-HFR
 SHEN-24445340-HFR

Model#s:

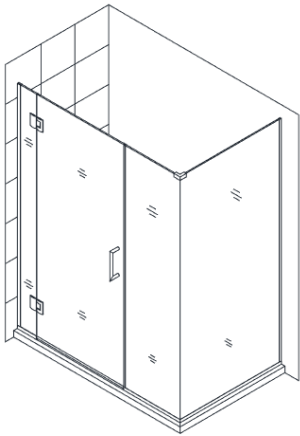
SHEN-24450300
 SHEN-24450340
 SHEN-24455300
 SHEN-24455340
 SHEN-24460300
 SHEN-24460340
 SHEN-24465300
 SHEN-24465340
 SHEN-24470300
 SHEN-24470340
 SHEN-24475300
 SHEN-24475340
 SHEN-24480300
 SHEN-24480340
 SHEN-24485300
 SHEN-24485340
 SHEN-24490300
 SHEN-24490340
 SHEN-24495300
 SHEN-24495340
 SHEN-24500300
 SHEN-24500340
 SHEN-24505300
 SHEN-24505340
 SHEN-24510300
 SHEN-24510340
 SHEN-24515300
 SHEN-24515340
 SHEN-24520300
 SHEN-24520340
 SHEN-24525300
 SHEN-24525340
 SHEN-24450300-HFR
 SHEN-24450340-HFR
 SHEN-24455300-HFR
 SHEN-24455340-HFR
 SHEN-24460300-HFR
 SHEN-24460340-HFR
 SHEN-24465300-HFR
 SHEN-24465340-HFR
 SHEN-24470300-HFR
 SHEN-24470340-HFR
 SHEN-24475300-HFR
 SHEN-24475340-HFR
 SHEN-24480300-HFR
 SHEN-24480340-HFR
 SHEN-24485300-HFR
 SHEN-24485340-HFR
 SHEN-24490300-HFR
 SHEN-24490340-HFR
 SHEN-24495300-HFR
 SHEN-24495340-HFR
 SHEN-24500300-HFR
 SHEN-24500340-HFR
 SHEN-24505300-HFR
 SHEN-24505340-HFR
 SHEN-24510300-HFR
 SHEN-24510340-HFR
 SHEN-24515300-HFR
 SHEN-24515340-HFR
 SHEN-24520300-HFR
 SHEN-24520340-HFR
 SHEN-24525300-HFR
 SHEN-24525340-HFR

Model#s:

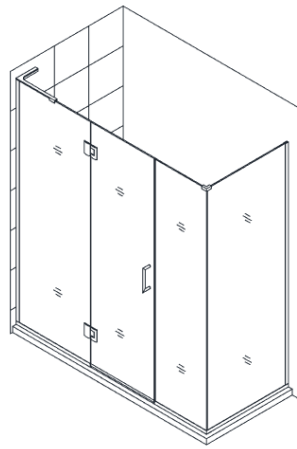
SHEN-24530300
 SHEN-24530340
 SHEN-24535300
 SHEN-24535340
 SHEN-24540300
 SHEN-24540340
 SHEN-24545300
 SHEN-24545340
 SHEN-24550300
 SHEN-24550340
 SHEN-24555300
 SHEN-24555340
 SHEN-24560300
 SHEN-24560340
 SHEN-24565300
 SHEN-24565340
 SHEN-24570300
 SHEN-24570340
 SHEN-24575300
 SHEN-24575340
 SHEN-24580300
 SHEN-24580340
 SHEN-24585300
 SHEN-24585340
 SHEN-24590300
 SHEN-24590340
 SHEN-24595300
 SHEN-24595340
 SHEN-24600300
 SHEN-24600340
 SHEN-24605300
 SHEN-24605340
 SHEN-24530300-HFR
 SHEN-24530340-HFR
 SHEN-24535300-HFR
 SHEN-24535340-HFR
 SHEN-24540300-HFR
 SHEN-24540340-HFR
 SHEN-24545300-HFR
 SHEN-24545340-HFR
 SHEN-24550300-HFR
 SHEN-24550340-HFR
 SHEN-24555300-HFR
 SHEN-24555340-HFR
 SHEN-24560300-HFR
 SHEN-24560340-HFR
 SHEN-24565300-HFR
 SHEN-24565340-HFR
 SHEN-24570300-HFR
 SHEN-24570340-HFR
 SHEN-24575300-HFR
 SHEN-24575340-HFR
 SHEN-24580300-HFR
 SHEN-24580340-HFR
 SHEN-24585300-HFR
 SHEN-24585340-HFR
 SHEN-24590300-HFR
 SHEN-24590340-HFR
 SHEN-24595300-HFR
 SHEN-24595340-HFR
 SHEN-24600300-HFR
 SHEN-24600340-HFR

Finishes: -01 Chrome -04 Brushed Nickel -06 Oil Rubbed Bronze -09 Satin Black HFR= Half Frosted Band

ADDITIONAL MODEL CONFIGURATIONS for UNIDOOR-X GLASS-TO-GLASS HINGE DOORS



Style M3⁶



Style M3²⁴

Model#s:	E1271434	E3280630L
E1230630-##	E12714530	E3280630R
E1230634	E12714534	E3280634L
E12306530	E1281430	E3280634R
E12306534	E1281434	E32806530L
E1233030	E1292230	E32806530R
E1233034	E1292234	E32806534L
E12330530	E12922530	E32806534R
E12330534	E12922534	E3290630L
E1240630	E1302230	E3290630R
E1240634	E1302234	E3290634L
E1243030	E13022530	E3290634R
E1243034	E13022534	E32906530L
E1251430	E3270630L	E32906530R
E1251434	E3270630R	E32906534L
E12514530	E3270634L	E32906534R
E12514534	E3270634R	E3300630L
E1261430	E32706530L	E3300630R
E1261434	E32706530R	E3300634L
E12614530	E32706534L	E3300634R
E12614534	E32706534R	
E1271430		

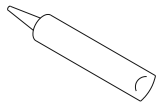
Finishes: -01 Chrome -04 Brushed Nickel -06 Oil Rubbed Bronze -09 Satin Black HFR= Half Frosted Band

Preparation

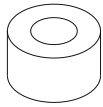
1. Prior to installation, examine all boxes and packages for shipping damage and compare the piece count with your packing slip. After opening all boxes and packages read this introduction carefully. Check that all of the needed parts are included in the package by checking off the components on the "Detailed Diagram of Shower Door Components". If the unit has been damaged, has a finishing defect, or has missing parts, please contact our customer support department within **3 business days** of the delivery date. Please note that **DreamLine® will not replace any damaged products or missing parts free of charge after 3 business days or if the product has been installed.** Feel free to contact DreamLine® if you have any questions, and please provide an order number, job name or other proof of purchase to help us identify your original order.
2. **Please note that you should consult your local building codes with questions on installation compliance standards. Building and plumbing codes may vary by location, and DreamLine is not responsible for code compliance standards for your project and will not accept any returns.**
3. If this unit is going to be installed in new construction, please install all of the required plumbing and drainage before installing the shower. **Use a competent and licensed (if required by local code) plumber for all plumbing installation.**
4. Prior to the installation, please ensure that the installation surface is level and solid and will be able to support the total weight of the unit. Also make sure that the walls are plumb. Depending on the type of unit you are installing, some adjustments in leveling may be possible. However, irregular installation, surface level or out of square conditions can result in serious problems for your installation. Please note that some adjustments and drilling may be necessary. Please protect all primary surfaces of the product during installation. **Never set your glass down directly onto a tile floor.** Always use a piece of wood or cardboard to protect the bottom edge and corners of the glass.
5. **Note: The installation of this unit requires that you drill down into the threshold.**
6. **This model requires a minimum 5/8" of flat threshold space for installation.**
7. **This model has 1/2" of adjustment within the u-channel on the stationary panel side for out-of-plumb wall conditions and overall width within the model size. Confirm the finished opening conditions before proceeding with the installation.**
8. **Professional installation recommended.**

NOTE: This model is reversible for left or right hand installation. This manual will show the right side panel installation. For a left side panel installation, simply begin on the opposite wall and reverse the orientation of the parts as necessary.

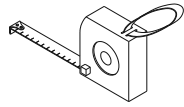
Tools Required



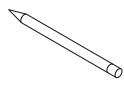
Caulk



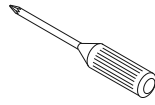
Painters Tape



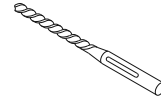
Tape Measure



Pencil



Phillips Screwdriver



Drill bit (Ø=5/16")



Drill bit (Ø=1/8")



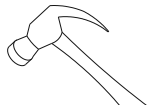
Level



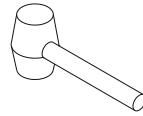
Caulk Gun



Electric Drill



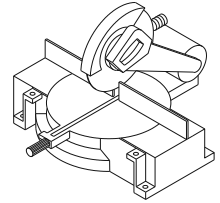
Hammer



Mallet

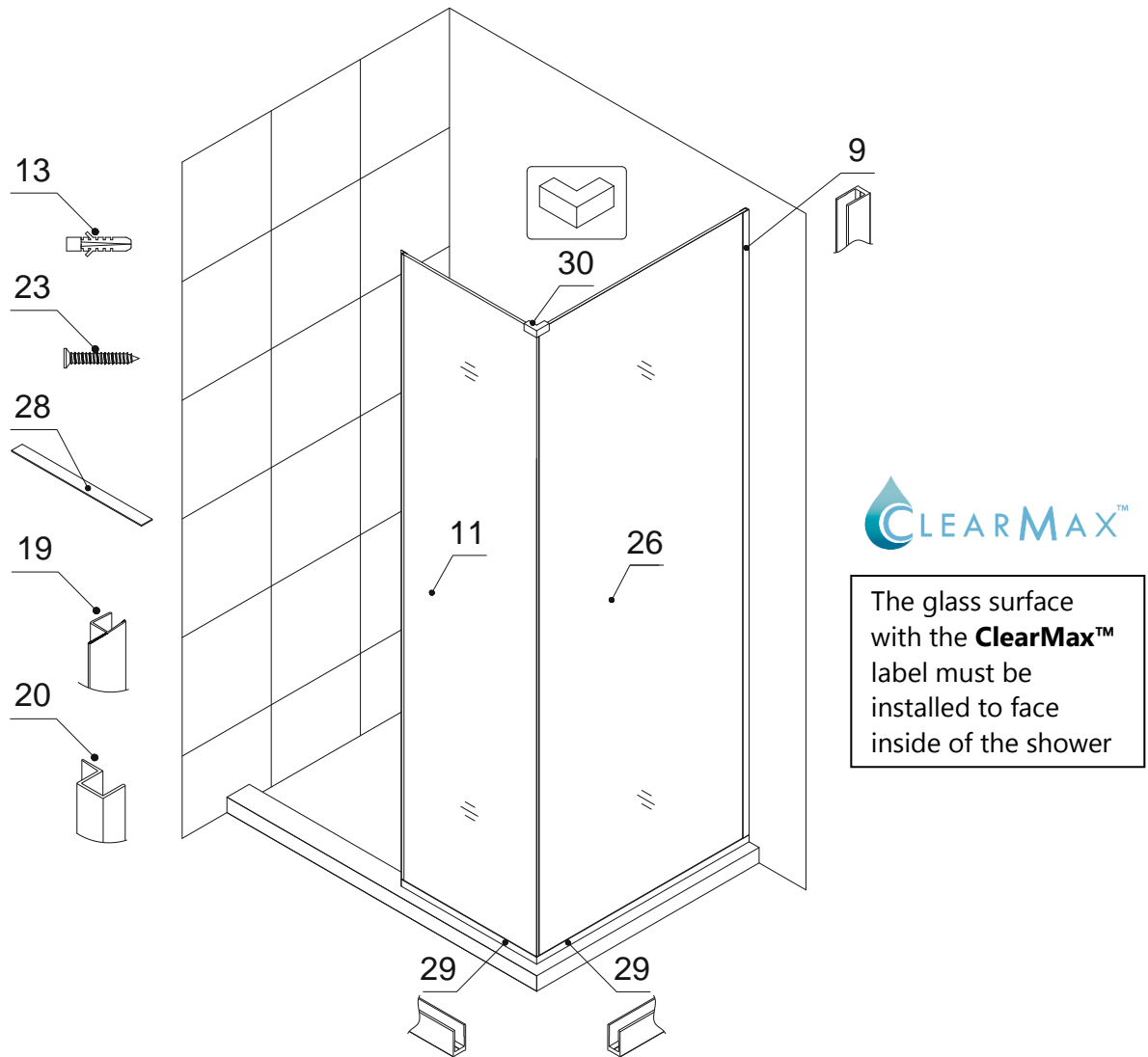


Wood



Miter saw

Detailed Diagram of Glass Panel Components



Packing List

09	U-channel 1 (76", wall profile)	1pc	23	Countersunk screw ST4.2x40	14pcs
11	Stationary glass	1pc	26	Return panel glass	1pc
13	Ø5/16" Wall anchor	14pcs	28	Adjustment Spacer	6pcs
19	Anti-Water strip (inline panel)	1pc	29	U-channel 2 (44", bottom profile)	2pcs
20	Anti-Water strip (enclosure) *	1pc	30	90° Corner Bracket	1pc

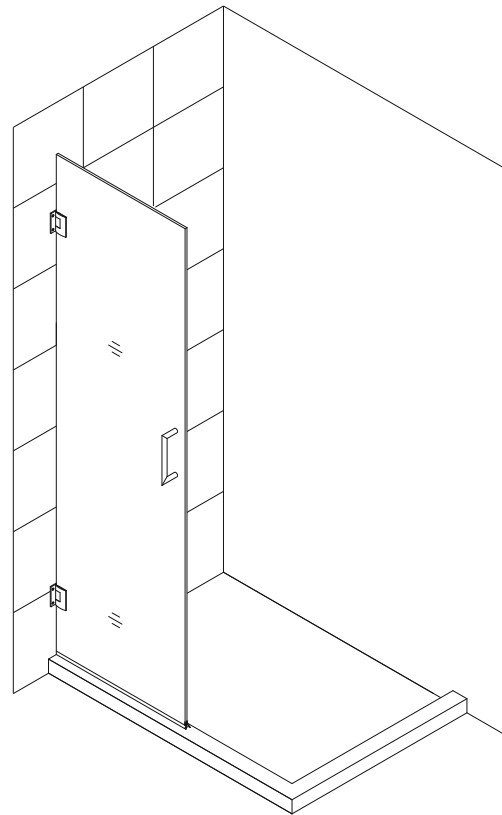
NOTE: Unpack your unit carefully and inspect it. Lay it out and identify all parts using the detailed diagram and packing list in your manual as a reference. Before discarding the carton, check for small hardware bags that may have fallen to the bottom of the box. If any parts are damaged or missing, please contact DreamLine® for replacement. The shipping boxes may contain extra parts not used in your model configuration.

NOTE: Retain these installation instructions for future reference.

*** ATTENTION: Anti-Water strip (enclosure) (20) used for 30" - 34" return stationary panel Installation (STYLE L) only.**

Style "I": In-Line Panel with 30"-34" Return Panel Installation

NOTE: The Unidoor shower door needs to be installed prior to proceeding with the following Stationary and Return Glass installation instructions. Please see the Single Shower Door installation manual included in the door packaging for complete shower door installation instructions. Before you begin the installation, please recheck your shower opening size. Specific size information can be found using the "SKU TO GLASS SIZE GUIDE" below.



NOTE: The installation of this enclosure requires two installers.

NOTE: Use parts from "Detailed Diagram of Glass Panel Components" for the glass panel assembly and installation.

1. Please locate and record the SKU numbers found on the packaging of both glass panels and door. You will specifically need all **Product Width** values to calculate your Shower Enclosure size.

SKU TO GLASS SIZE GUIDE

Product Width		Product Height		
22"		72"		
⋮		⋮		
SHDR-GL2402-227210-HFR				
⋮	⋮	⋮	⋮	
Product Line	Glass	Model	Product Thickness	Glass Type
SHEN Shower Enclosure			10mm	No Code Clear
SHDR Shower & Tub Door				FR Frosted
				HFR Frosted Band

Example
SHDR-GL2402-227210-HFR
 Unidoor Plus Shower Door Glass Panel 22" x 72" x 10mm. Half-Frosted Band.

2. Please mark measurement lines on the wall and threshold for the **Glass Door** and **U-channel** according to the size of your model.

You will need to use the **Product Width** values determined in step #1 in Size Table A. **Please Note** that these dimensions are nominal dimensions and not actual glass sizes.

NOTE: M and L dimensions are from the finished wall to the outside of the U-channel as shown in Fig. 1.

M =	Door	+	Panel	-	1/8"
L =	Return Panel	+	7/16"		

Size Table A

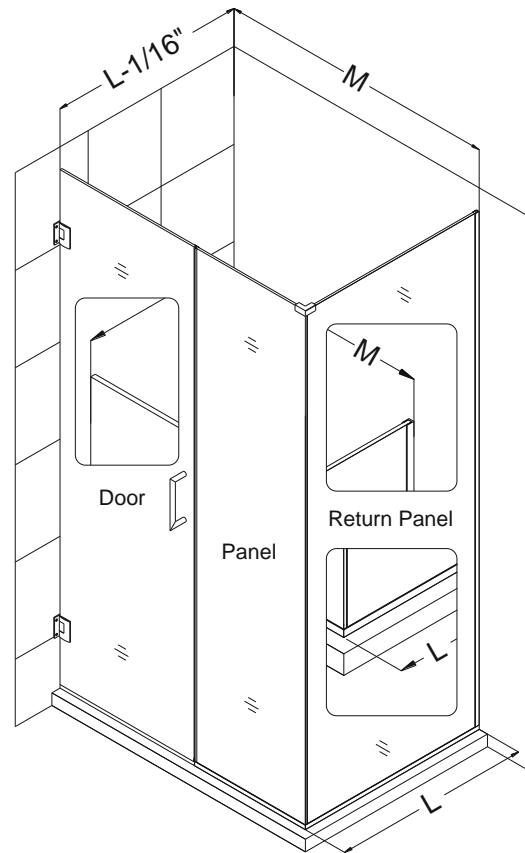


Fig. 1

NOTE: The Unidoor hinge is factory set to over close 8°. The following procedure is recommended to ensure proper alignment of the panel glass and door.

3. Align the **Door** so that it is perpendicular to the wall and parallel to the threshold. Measure across the bottom span of the **Door** and threshold on the outside of shower and determine an equal value.

Mark a line on the threshold base on the handle side to assist with aligning the inline panel glass.

See Fig. 2 for details.

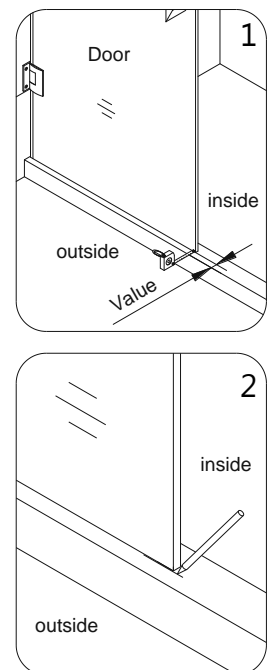


Fig. 2

4. Measure the actual width of your **Return panel glass (26)** panel.

NOTE: You will be doing straight and 45° cuts for this enclosure installation.

***All 45° cuts are from the outside dimension. (tip to tip)**

***It may be necessary to remove any burrs from the cut end of the U-channels with a metal file before placing the U-channel onto the glass.**

Use a miter saw to rough straight cut one of the **U-channel 2 (44", bottom profiles) (29)** to the actual width of the glass (+) 1-1/4".

See Fig. 3 & 4 for details.

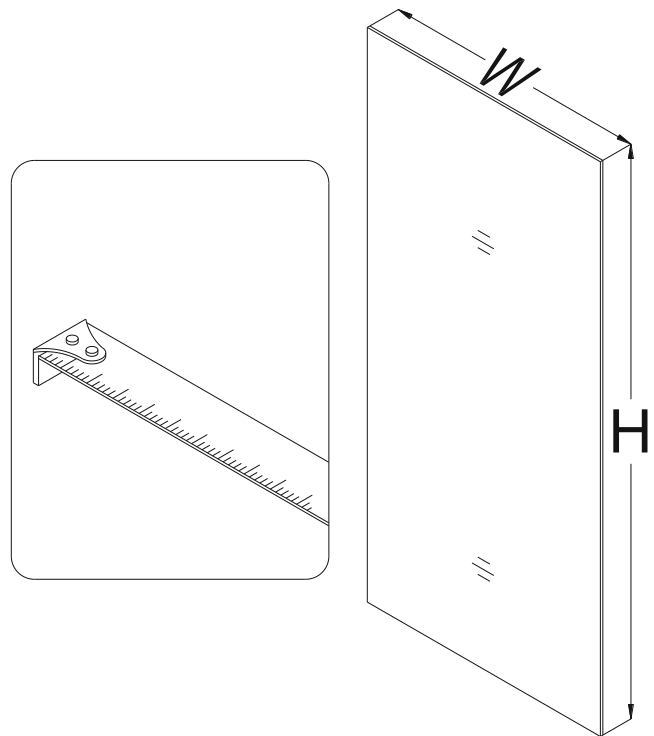


Fig. 3

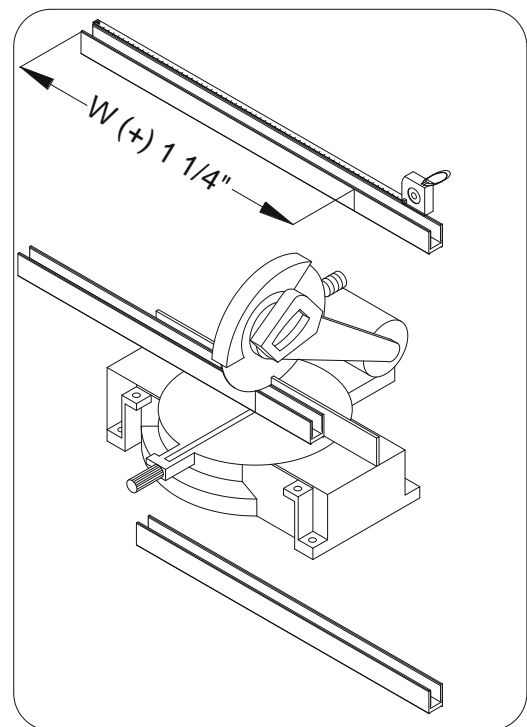


Fig. 4

5. Slip the cut **U-channel 2 (44", bottom profile) (29)** and uncut **U-channel 1 (76", wall profile) (09)** onto the **Return panel glass (26)** in the shown locations.

Insert three to four 2" pieces of the **Adjustment spacer (#28)** into the **bottom u-channel (#29)** as necessary to level the panel glass. (Fig.5.1)

With the door open, place the **Return panel glass** on the threshold adjacent to door and in line with the wall mark. Adjust the **Return panel glass** and **U-channel 1 (wall profile)** against the wall to compensate for any out of plumb conditions ensuring that the **Return panel glass** is level vertically and **U-channel 1** is flush with the wall.

Mark the **U-channel 2 (bottom profile)** end opposite of the wall at the exposed vertical glass edge.

Remove the **U-channel 2 (bottom profile)**. Leave the **U-channel 1 (wall profile)** on the **Return panel glass**. Set the **Return panel glass** aside.

Cut the **U-channel 2 (bottom profile)** 45° to the mark (+) 1/2". The end facing the wall will remain straight.

Slip the **U-channel 2 (bottom profile)** back onto the **Return panel glass** and set the **Return panel glass** aside.

See Fig. 5 for details.

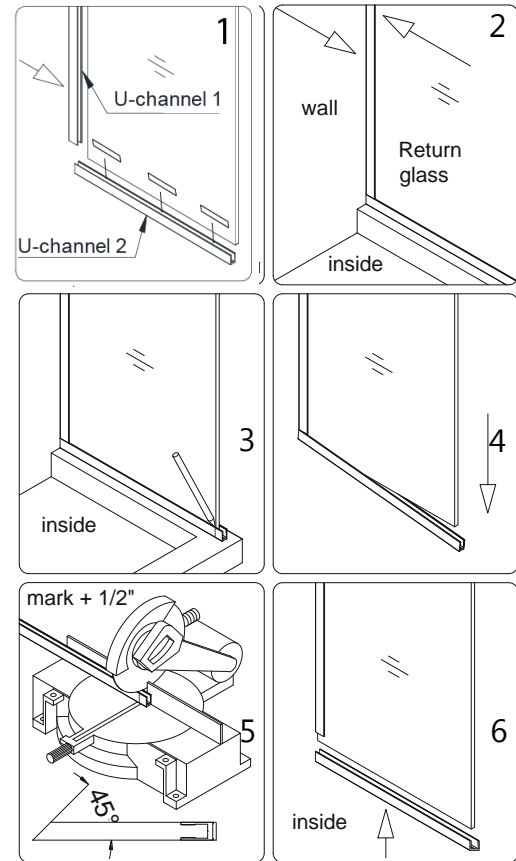


Fig. 5

6. Measure the actual width of your **Stationary glass (11)** panel.

Use a miter saw to cut the second **U-channel 2 (44", bottom profile) (29)** 45° to the actual width of the glass (+) 1/16".

See Fig. 6 & 7 for details.

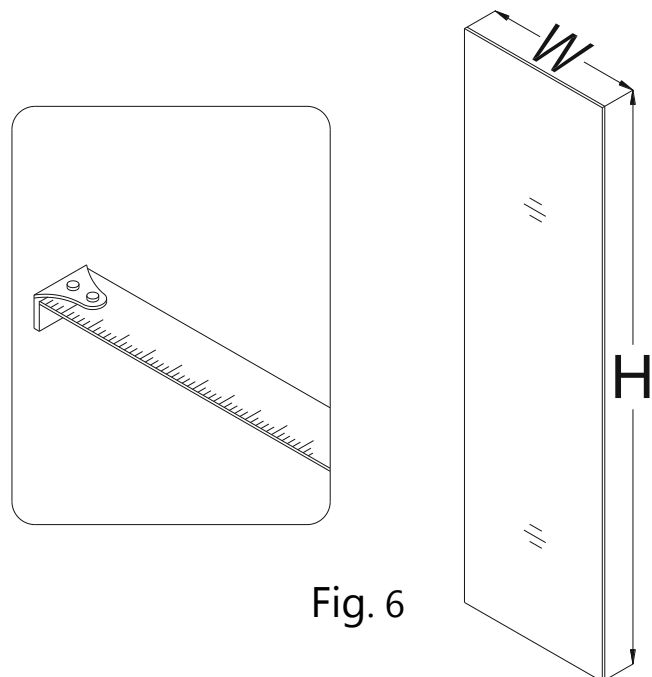


Fig. 6

NOTE: The top of the Enclosure glass must be level with the Glass door. By using a level across the top of both the In-line **Stationary panel glass (11)** and door, height differences can be measured. The **Adjustment spacers (28)** are provided for the **Return panel glass (26)** only to compensate for such differences by inserting them into the **U-Channel 2 (bottom profile) (29)**. Please use the correct spacer size that is needed for your situation.

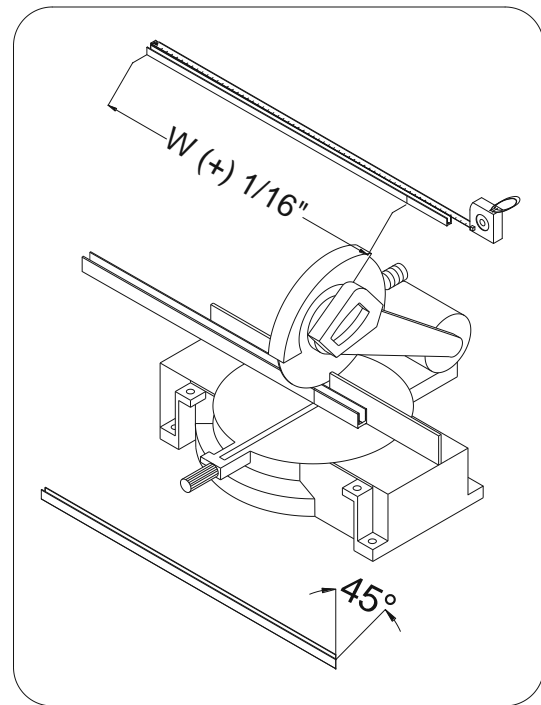


Fig. 7

7. Slip the **U-channel 2 (44\", bottom profile) (29)** onto the **Stationary glass (11)** and ensure that the straight end of the **U-channel 2** is flush with the vertical glass edge.

Press the **Anti-Water strip (inline panel) (19)** onto the vertical edge of the **Stationary glass** allowing the base of the **strip** to rest on top of the **U-channel**.

Carefully butt the **Stationary glass** and **Return panel glass (26)** together to form a tight corner from bottom to top. The **Stationary glass** will be in front of the **Return panel glass**.

While securely holding the two **glass panels**, attach the **90° Corner Bracket (30)** to the top corner. Ensure that the **90° Corner Bracket** is square and gaskets are aligned properly before tightening the glass holding screws.

Temporarily secure the bottom corner of the **glass panels** with a generous strip of **Painters tape**.

See Fig. 8 & 9 for details.

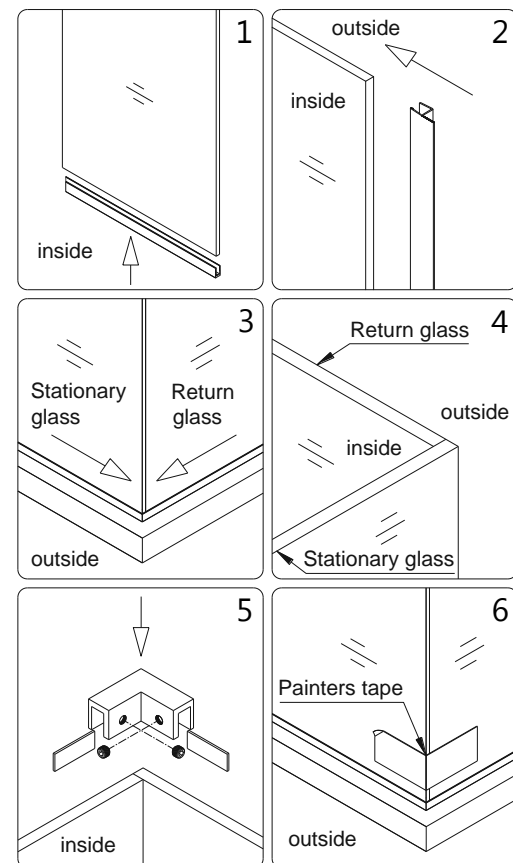


Fig. 8

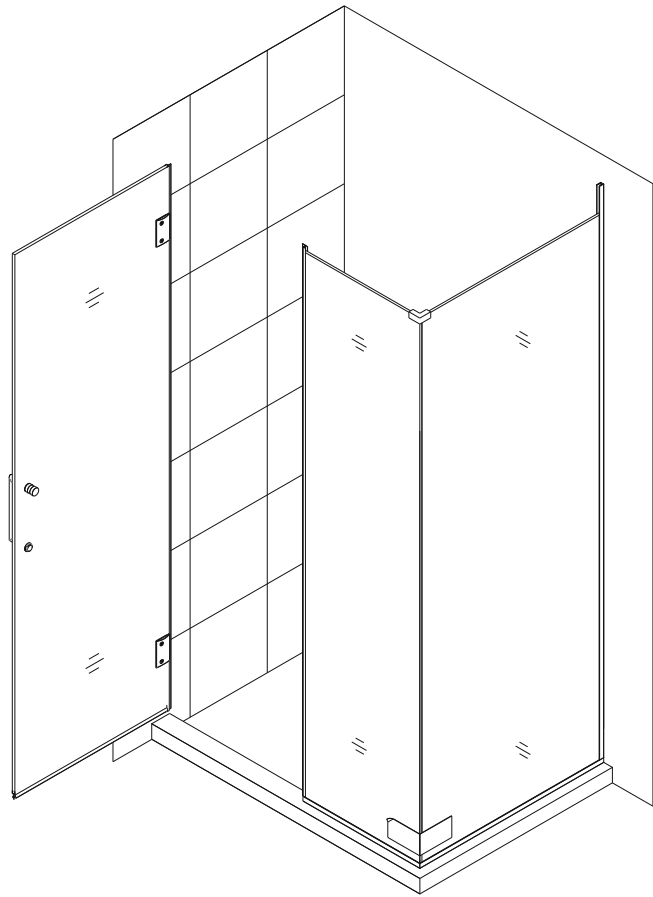


Fig. 9

8. Carefully butt the **Return panel glass (26)** up against the wall vertically according to the **M** value stated in Size Table A on page 5. Intermittently use a level throughout these steps to ensure that this glass enclosure is leveled properly.

While securely holding the **glass panels**, close the **Glass Door** and align the **Stationary glass (11)** to it. Use the door mark on the threshold as a reference to ensure that the **Door** is perpendicular to the wall.

If needed, adjust the position of the **Stationary glass** and **Return panel glass** so that the **Anti-Water strip (inline panel) (19)** makes tight contact to the **Glass Door** from top to bottom. The **U-channel 1 (wall profile) (09)** will remain flush against the wall.

Outline the position of the **glass panels** along the inside bottom edge of all **U-channels** on the threshold and wall.

Mark the **U-channel 1 (wall profile) (09)** at the top horizontal glass edge.

See Fig. 10 for details.

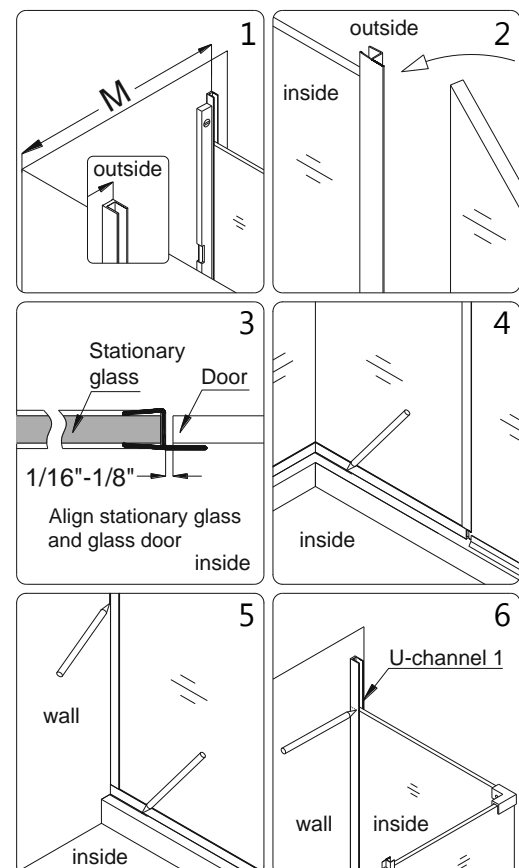


Fig. 10

9. Carefully disassemble the panels for the next steps.

See Fig. 11 for details.

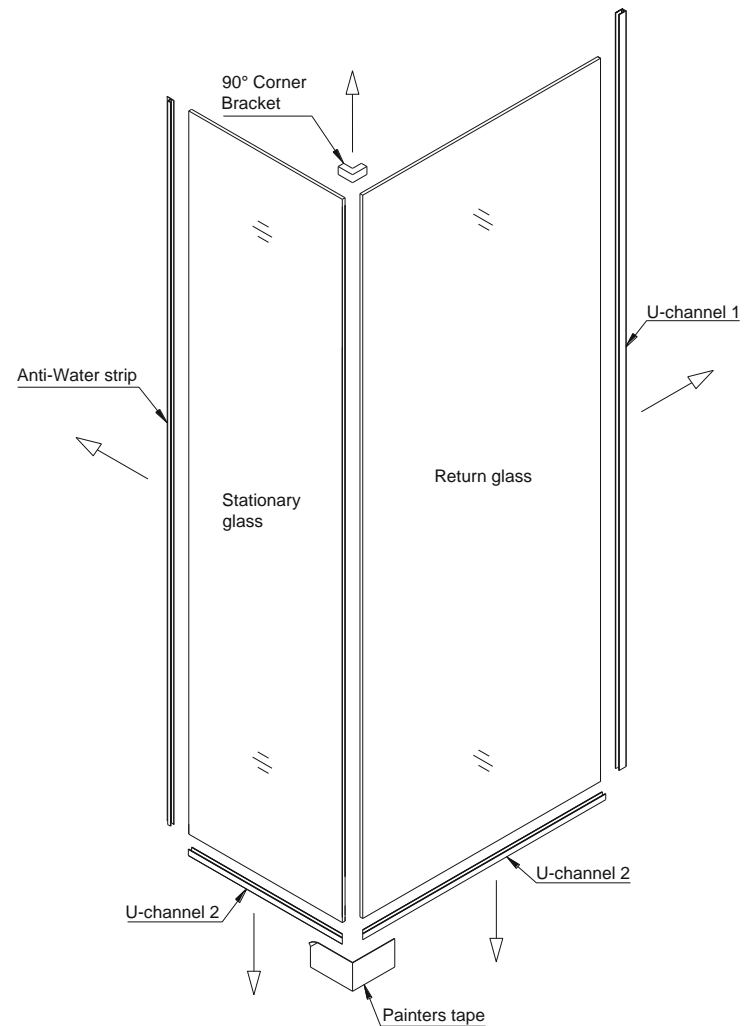


Fig. 11

10. Place the **U-Channel 2 (bottom profile) (29)** for the **Return panel glass (26)** onto the threshold base in line with the inside threshold mark.

Mark the drill holes on the threshold through the predrilled holes in the **U-Channel 2** and drill the holes using **Ø1/8" drill bit**.

Apply waterproof silicone along the bottom surface and around the holes of the **U-Channel 2** and fasten it to the base with the **Countersunk screws ST4.2×40 (23)**.

NOTE: The surface needs to be clean and free of debris before applying silicone.

See Fig. 12 & 13 for details.

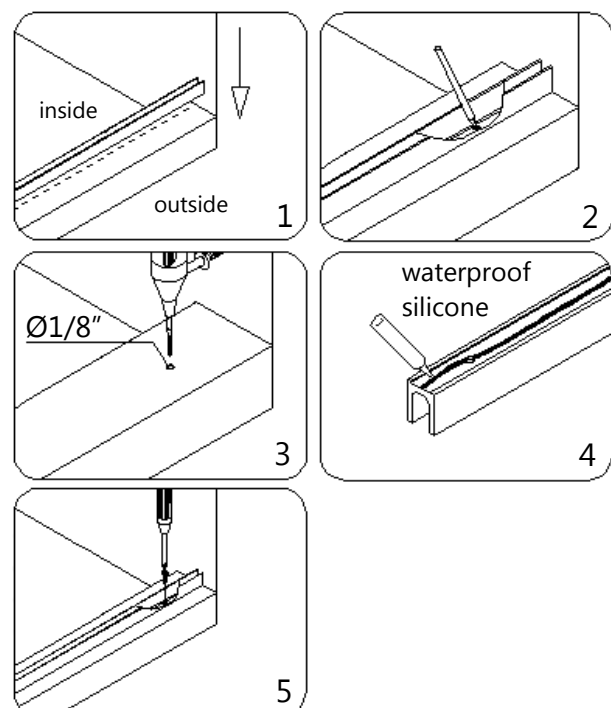


Fig. 12

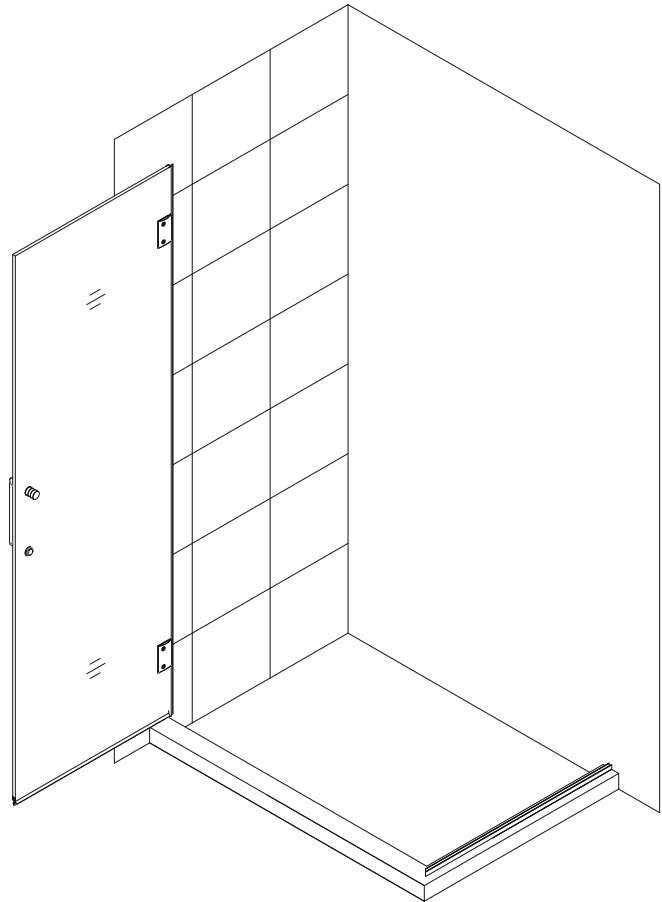


Fig. 13

11. Straight cut the **U-channel 1 (76", wall profile) (09)** at the top mark that was made in step #8.

Place the **U-Channel 1 (wall profile) (09)** on the **U-Channel 2 (bottom profile) (29)** and align vertically with the inside wall mark.

Mark the drill holes on the wall through the predrilled holes in the **U-Channel 1**.

Now drill holes in the wall using **Ø5/16 drill bit** and insert the **Ø5/16" Wall anchors (13)**.

See Fig. 14 for details.

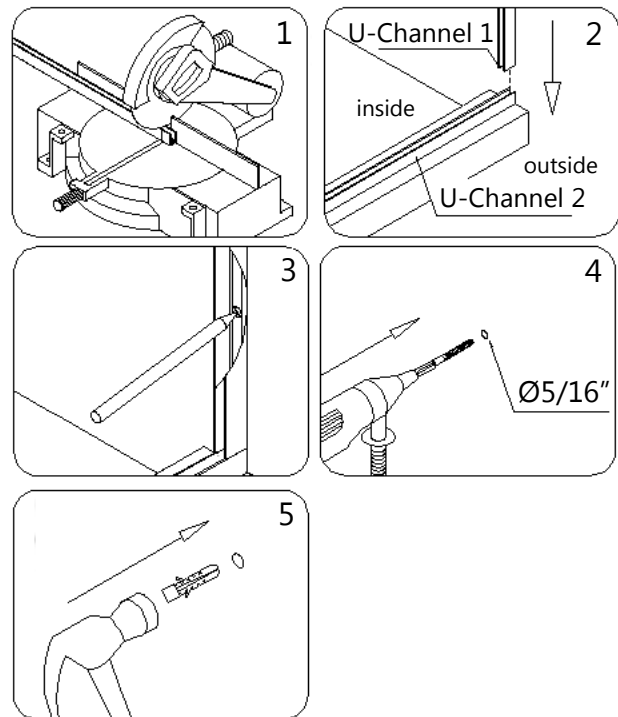


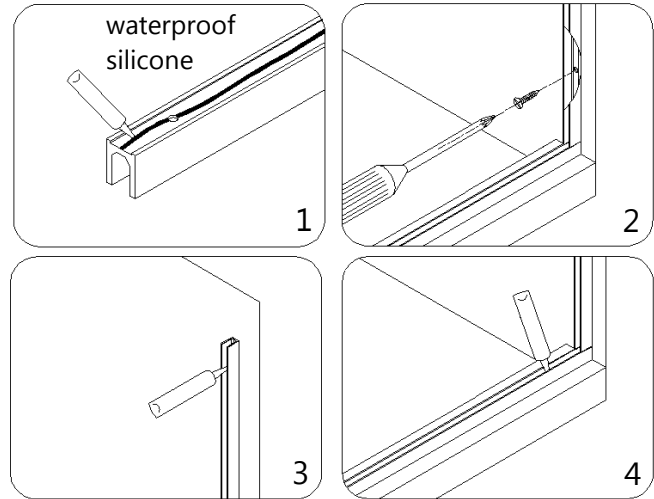
Fig. 14

12. Apply waterproof silicone along the bottom surface and around the holes of the **U-Channel 1 (76", wall profile) (09)**.

Fasten the **U-Channel 1** to the wall with the **Countersunk screw ST4.2x40 (23)**.

Insert the provided 2" pieces of the **Adjustment Spacers (28)** into **U-Channel 2 (bottom profile) (29)** for minor adjustments if necessary.

Apply Waterproof silicone into the groove of both **U-Channels**.



See Fig. 15 & 16 for details

Fig. 15

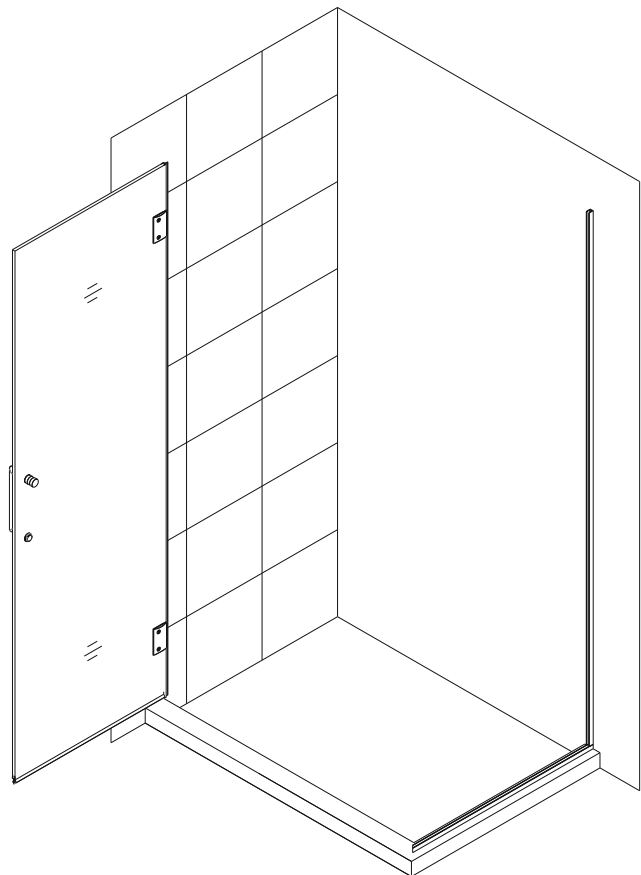


Fig. 16

13. Slide the **Return panel glass (26)** into the groove of both **U-Channels**.

NOTE:

If you have difficulty sliding the **Return panel glass** into the **U-Channels**, you can slightly tap on the **Return panel glass** with a rubber mallet and a piece of wood.

See fig. 17 & 18 for details.

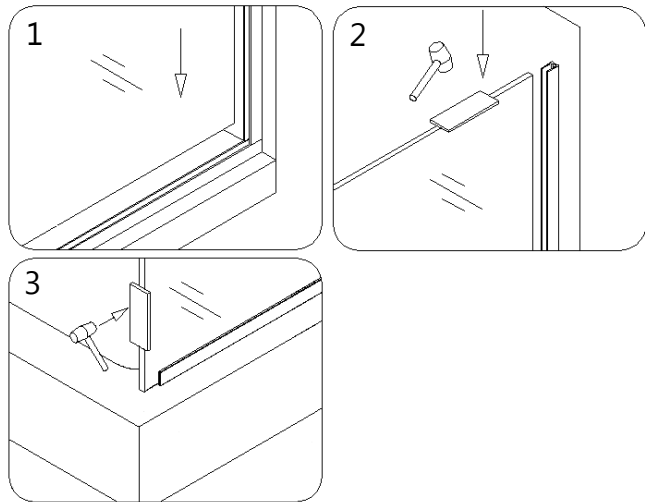
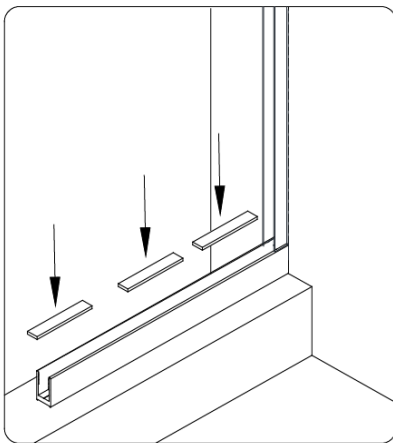


Fig. 17



Use Adjustment spacers (#28)
as necessary to level your glass

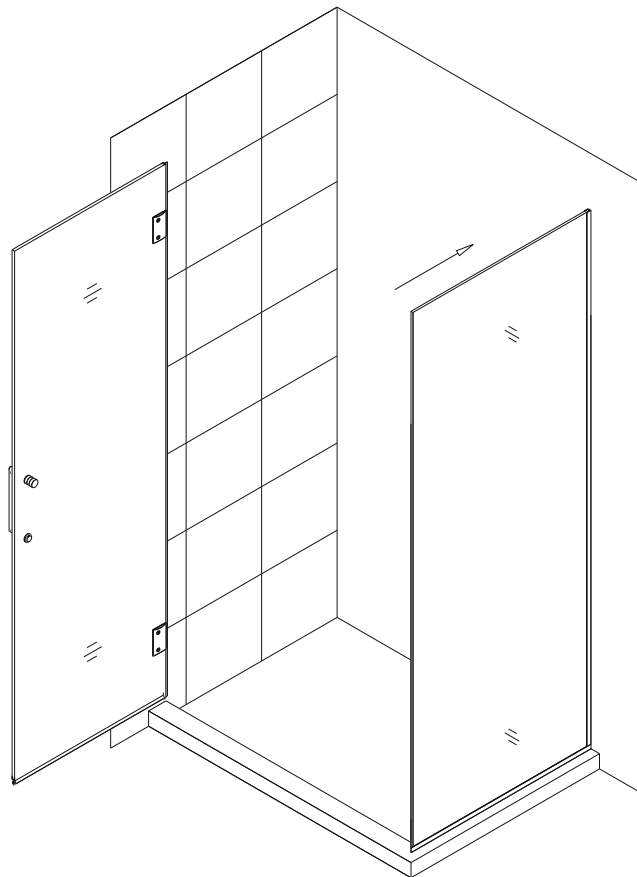


Fig. 18

14. Place the **U-Channel 2 (bottom profile) (29)** for the **Stationary glass (11)** onto the threshold base in line with the inside threshold mark and flush with 45° corner cut.

Mark the drill holes on the threshold through the predrilled holes in the **U-Channel 2** and drill the holes using **Ø1/8" drill bit**.

Apply waterproof silicone along the bottom surface and around the holes of the **U-Channel 2** and fasten it to the base with the **Countersunk screws ST4.2×40 (23)**.

NOTE: The surface needs to be clean and free of debris before applying silicone.

See Fig. 19 & 20 for details.

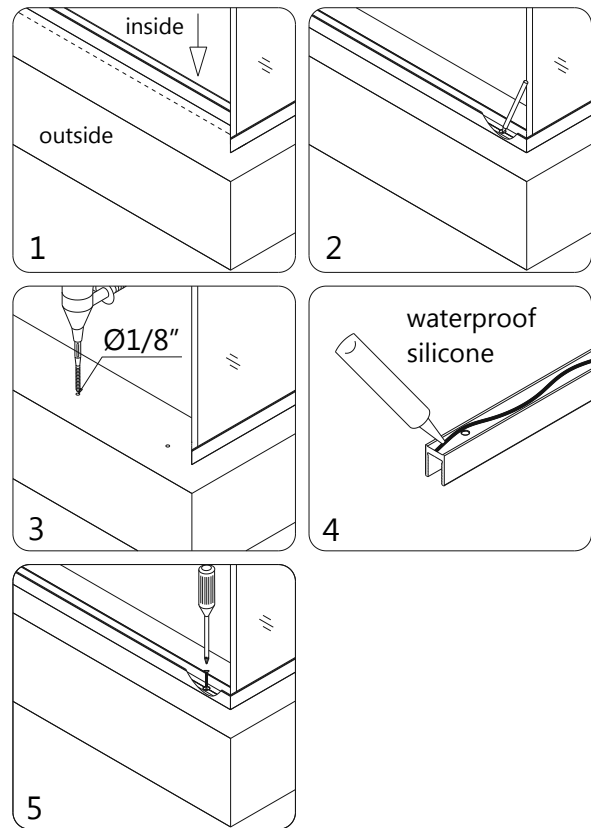


Fig. 19

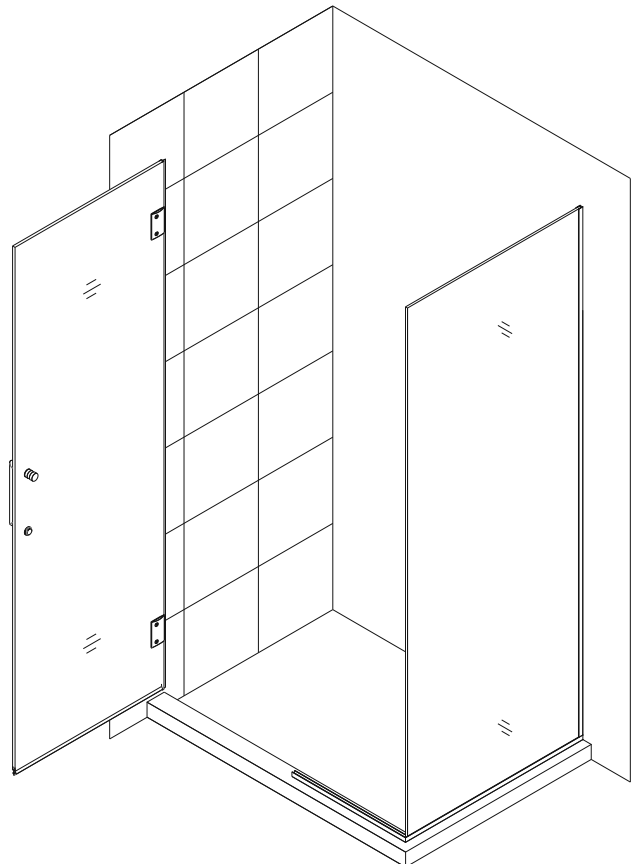


Fig. 20

15. Apply Waterproof silicone into the groove of the **U-Channel 2 (bottom profile) (29)** and sparingly along the vertical edge of the **Return panel glass (26)**.

See Fig. 21 & 22 for details.

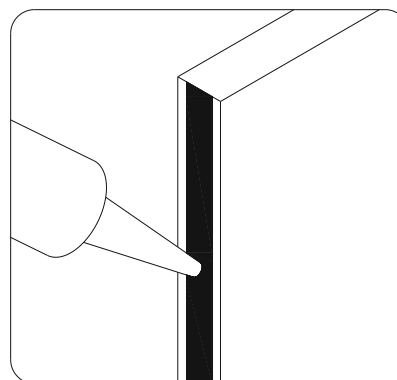
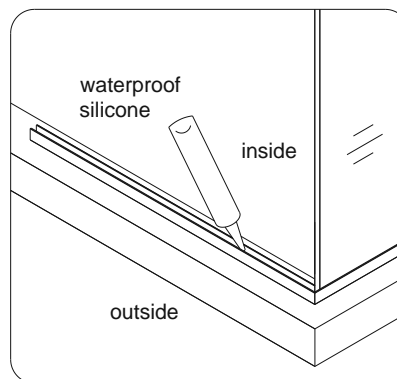


Fig. 21

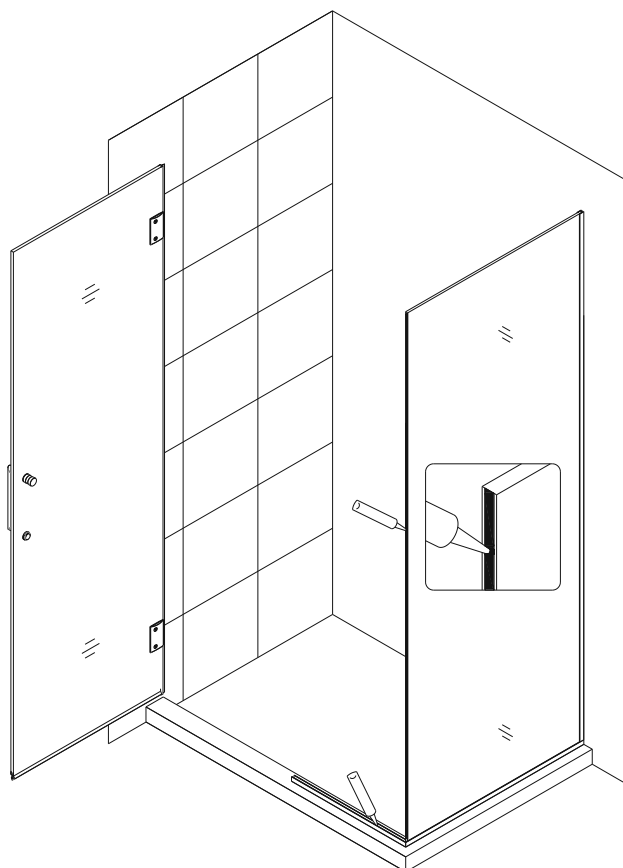


Fig. 22

16. Slide the **Stationary glass (11)** into the groove of the **U-Channel**. Make sure the vertical edge of the **Stationary glass** is flush with outer face of the **Return panel glass (26)** at the corner.

Apply a bead of silicone on the open end of the **U-Channel**, and its connection.

NOTE:

If you have difficulty sliding the **Stationary glass** into the **U-Channel**, you can slightly tap on the **Stationary glass** with a rubber mallet and a piece of wood.

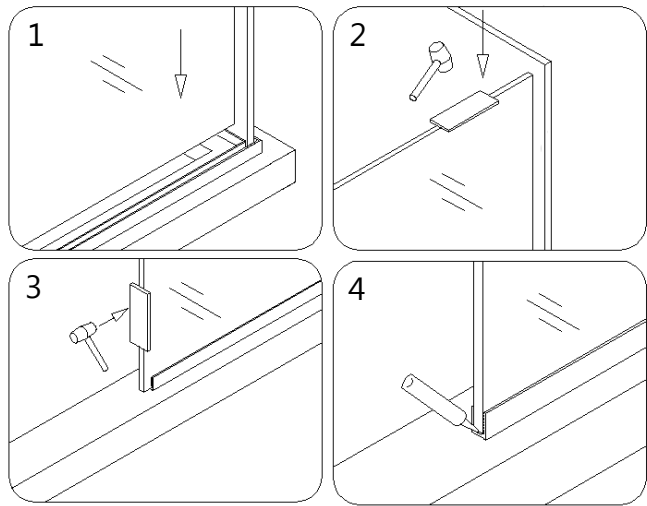


Fig. 23

See fig. 23 & 24 for details.

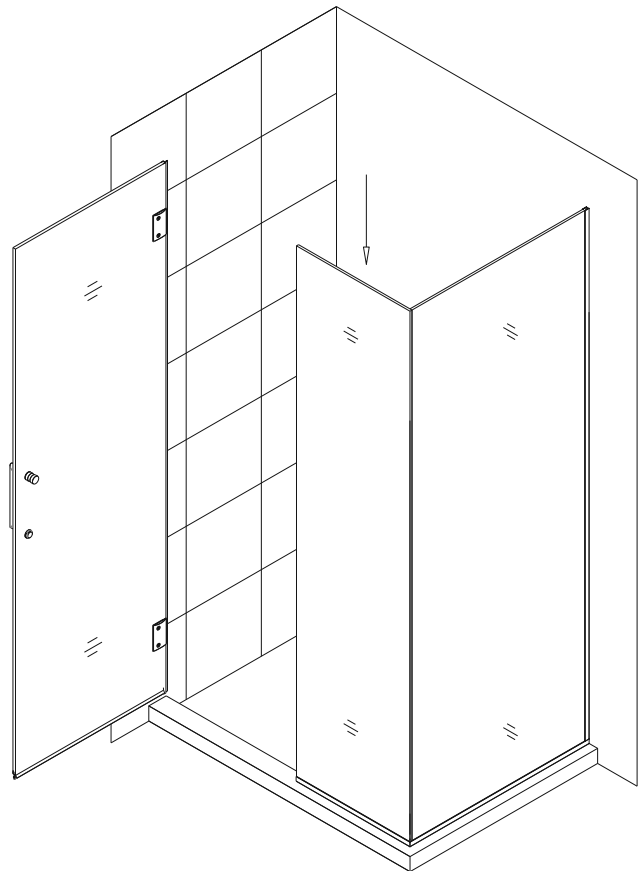


Fig. 24

17. Attach the **90° Corner Bracket (30)** to the top corner of both **glass panels**. Ensure that the **90° Corner Bracket** is square and gaskets are aligned properly before tightening the glass holding screws. Temporarily secure the corner of the **glass panels** with several generous strips of **Painters tape** to keep the corner tight until the silicone cures.

See fig. 25 & 26 for details.

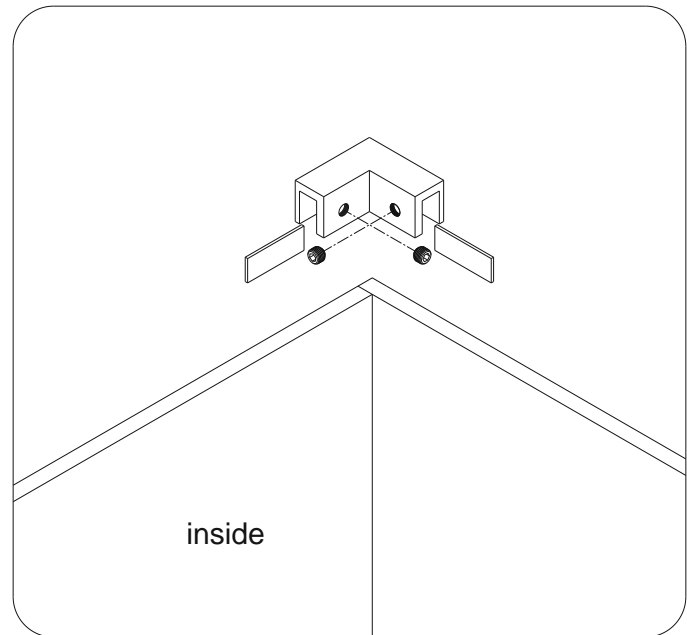


Fig. 25

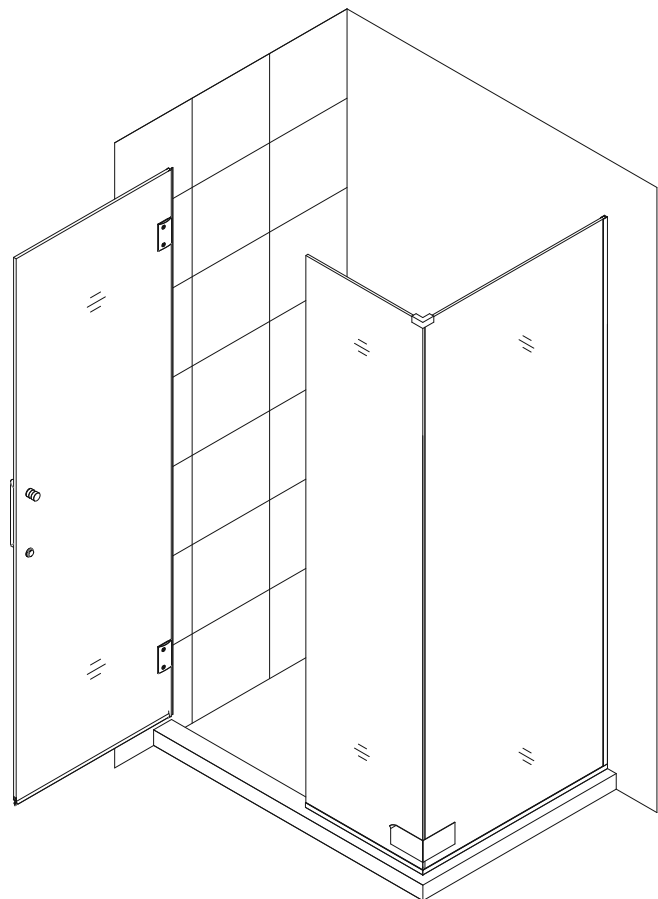


Fig. 26

18. Apply waterproof silicone along the connection of all **U-Channels** to the wall and threshold on the inside of shower. Carefully apply an even bead of silicone down the inside corner of the **glass panels**.

See Fig. 27 & 28 for details.

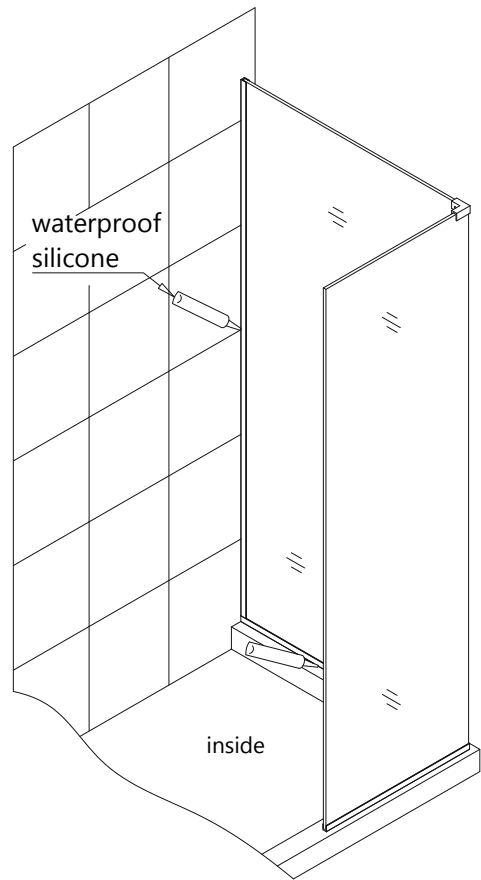


Fig. 27

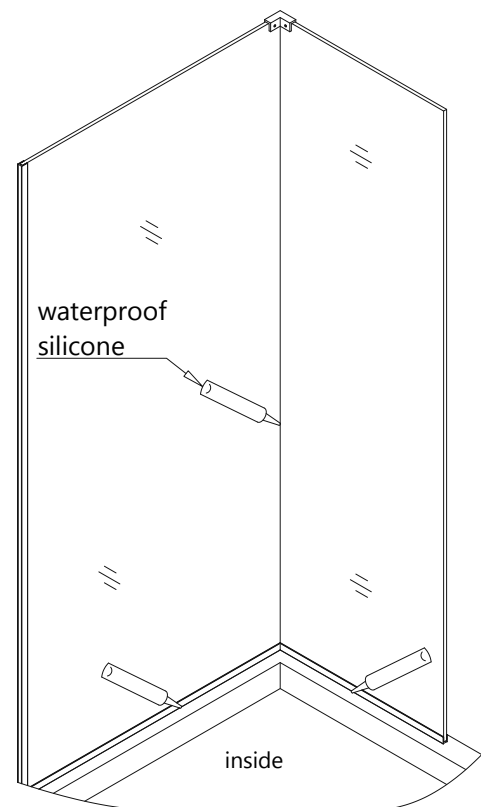


Fig. 28

19. Notch the **Anti-Water strip (inline panel)** (19) 1" at the base to fit around bottom **U-channel**. Press the **Anti-Water strip** onto the vertical edge of the **Stationary glass (11)**.

See Fig. 29 for details.

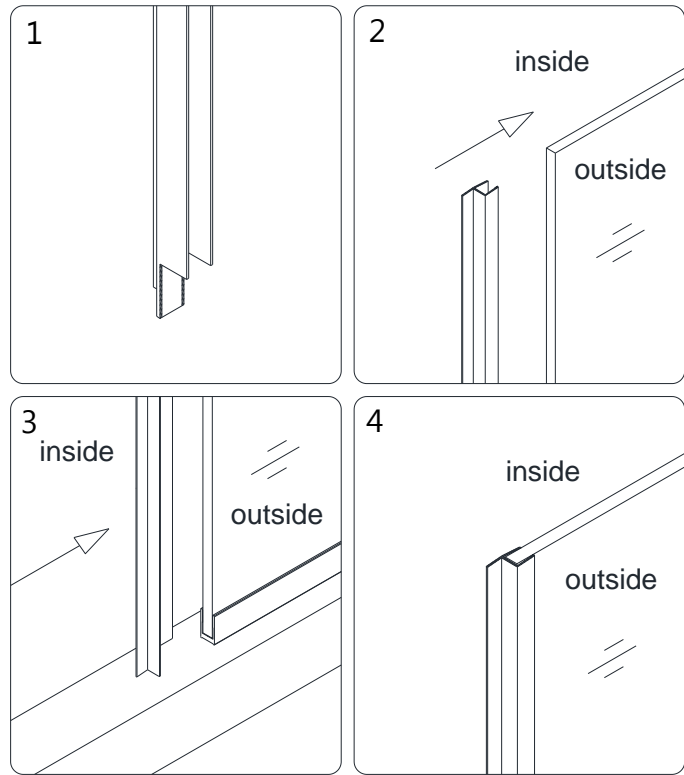


Fig. 29

Product Maintenance

BASES and BACKWALLS: To ensure long lasting life for your acrylic back walls: wipe them off after each use with a soft cloth. To clean the acrylic back walls use non-abrasive sprays or cream based cleaners. Avoid the use of aerosol spray cleaners. Never use abrasive cleansers, metal brushes or scrapers that could scratch or dull the surface.

GLASS: To ensure long lasting life for your glass shower products: wipe them off after each use with a soft cloth. Rinse and wipe off the glass using either a soft cloth or a squeegee to prevent soap buildup and water spots (Hard water can etch the surface of the glass over time if left to dry). To prevent scratching the surface: never use abrasive cleaners or cleaning products that contain scouring agents. Never use bristle brushes or abrasive sponges that may scratch the surface.

HARDWARE: To ensure a long lasting finish: wipe off the metal parts after each use with a soft cloth. Do not use abrasive cleaners or cleaning products containing ammonia, bleach or acid. If accidentally used, rinse the surface as soon as possible to prevent damage to the finish (peeling or corrosion). After cleaning the polished finishes, rinse thoroughly and wipe dry with soft cloth. Clean stainless steel surfaces at least once a week. When applying stainless steel cleaner or polish to stainless steel hardware, work with (not across) the grain. Never use an abrasive sponge or cloth, steel wool or wired brush as these may permanently scratch the surfaces.

NOTE: To maximize the life of your door, it is important to regularly inspect the glass and other hardware for misalignment, proper attachment, and/or damage. Contact DreamLine with any questions or concerns.



TEL: [866-731-2244](tel:866-731-2244)

FAX: [866-857-3638](tel:866-857-3638)

DREAMLINE.COM

For more information on [DreamLine® Shower Doors](#) and [Enclosures](#) please visit DreamLine.com