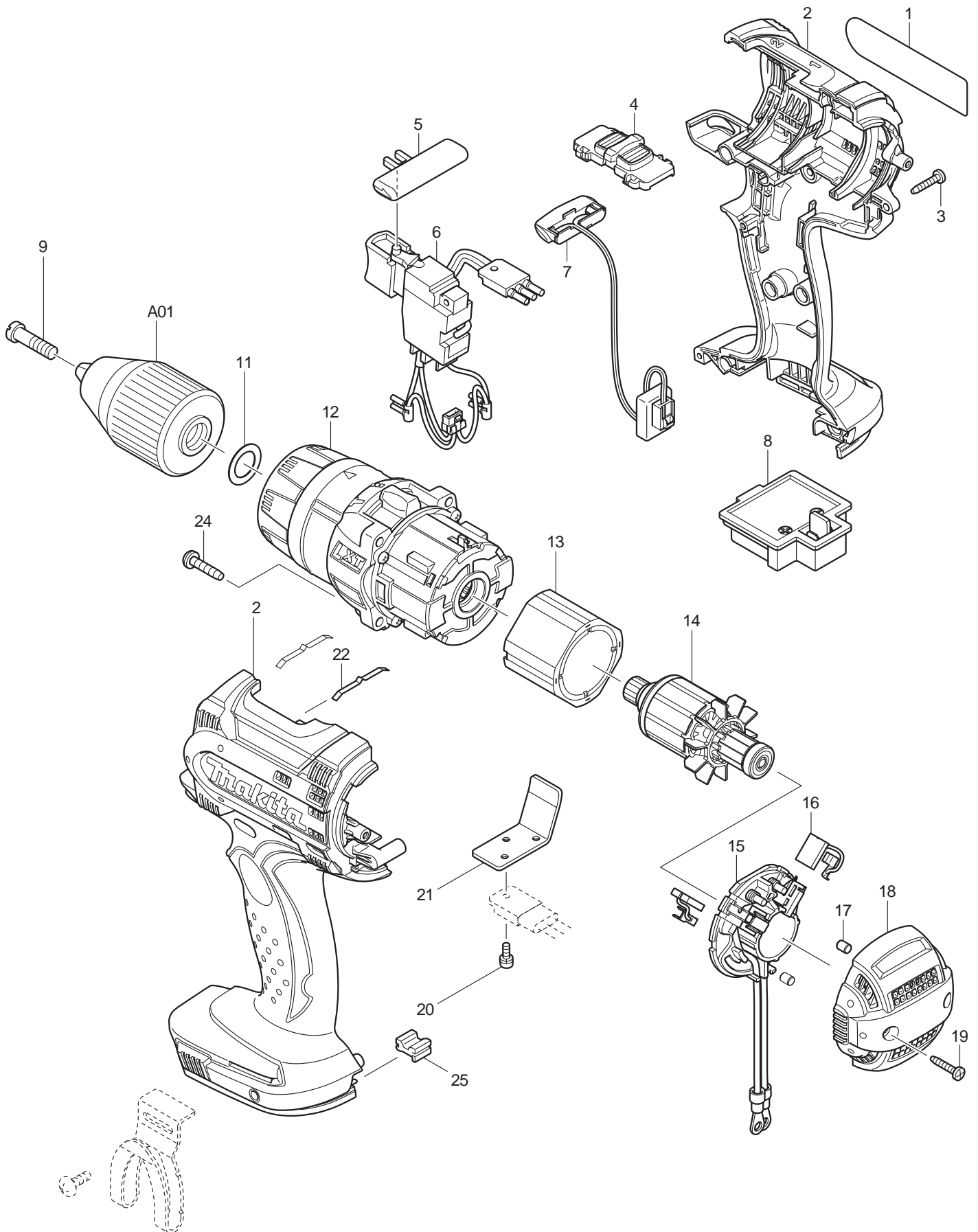




07 - 2008

BHP454

18V PERCUSSION DRIVER DRILL



Item No.	Part No.	Description	Qty	Unit
1	865306-1	BHP454 NAME PLATE	1	PC.
2	188613-8	HOUSING SET	1	SET
3	266130-9	TAPPING SCREW BIND PT 3X16	8	PC.
4	125488-4	SPEED CHANGE LEVER ASS'Y	1	PC.
	INC. 233438-6	COMPRESSION SPRING 4	2	PC.
5	419250-0	F/R CHANGE LEVER	1	PC.
6	650573-9	SWITCH TG553FSB-4	1	PC.
7	631692-0	LIGHT CIRCUIT	1	PC.
8	643812-4	TERMINAL	1	PC.
9	251468-5	- FLAT HEAD SCREW M6X22	1	PC.
11	253798-0	FLAT WASHER 13	1	PC.
12	125487-6	GEAR ASSEMBLY	1	PC.
13	638613-3	YOKE UNIT	1	PC.
14	619230-8	ARMATURE	1	PC.
15	638614-1	BRUSH HOLDER COMPLETE	1	PC.
16	194427-5	CARBON BRUSH CB-440	1	SET
17	263032-0	RUBBER PIN 4	2	PC.
18	450644-0	REAR COVER	1	PC.
19	266130-9	TAPPING SCREW BIND PT 3X16	2	PC.
20	911006-2	PAN HEAD SCREW M3X8	1	PC.
21	689150-0	HEAT SINK	1	PC.
22	232220-0	LEAF SPRING	2	PC.
24	266045-0	TAPPING SCREW 4X20	4	PC.
25	424026-2	CUSHION	1	PC.
30	324705-1	HOOK	1	PC.
31	251314-2	+ SCREW M4X12(FOR HOOK)	2	PC.
100	652045-0	+ P.H.SCREW M3.5X5 (ENDBELL) (F/SWITCH)	1	PC.

ACCESSORIES

A01	763191-5	1/2" KEYLESS DRILL CHUCK	1	PC.
A02	122576-8	STOPPER POLE ASS'Y	1	PC.
	INC. 286226-0	CAP 20	1	PC.
	INC. 322223-3	DEPTH ROD	1	PC.
A03	122822-9	GRIP ASSEMBLY	1	PC.
	INC. 154935-8	GRIP 36 COMPLETE	1	PC.
	INC. 266349-0	SQUARE BOLT M8X50	1	PC.
	INC. 345960-2	GRIP SPRING 55	1	PC.
	INC. 450651-3	GRIP BASE	1	PC.
	INC. 931202-6	HEX. NUT M5	1	PC.
A05	419276-2	BIT HOLDER	1	PC.
A06	784637-8	+ - BIT 2-45	1	PC.
A07	DC18RA	FAST CHARGER DC18RA	1	PC.
	DC18SD	FAST CHARGER DC18SD	1	PC.
	DC18SE	12V AUTOMOTIVE CHARGER DC18SE	1	PC.
	DC18RAKIT	DC18RA+BL1830 SET	1	SET
	DC24SA	CHARGER F/7.2-24V, 1.3-3.3AH BATTERY	1	PC.
	DC24SC	CHARGER F/7.2-24V, 1.3-3.0AH BATTERY	1	PC.
A08	194205-3	18V LI-ION BATTERY BL1830(3.0AH)	1	PC.
	194230-4	18V LI-ION BATTERY BL1830(3.0AH), 2/PK	1	PK

Item No.	Part No.	Description	Qty	Unit
A09	450128-8	BATTERY COVER	1	PC.
A10	824812-5	PLASTIC CARRYING CASE	1	PC.
	INC. 163455-1	METAL LATCH	1	PC.
A10	824754-3	PLASTIC CARRYING CASE (OPTIONAL)	1	PC.
	INC. 419216-0	HANDLE	1	PC.
	INC. 417724-5	LATCH	2	PC.
	INC. 419268-1A	PLASTIC CASE LID, TAB TYPE	1	PC.
	INC. 419269-9	PLATE	5	PC.
	INC. 324667-3	SHAFT	1	PC.

***INC.= INCLUDES**