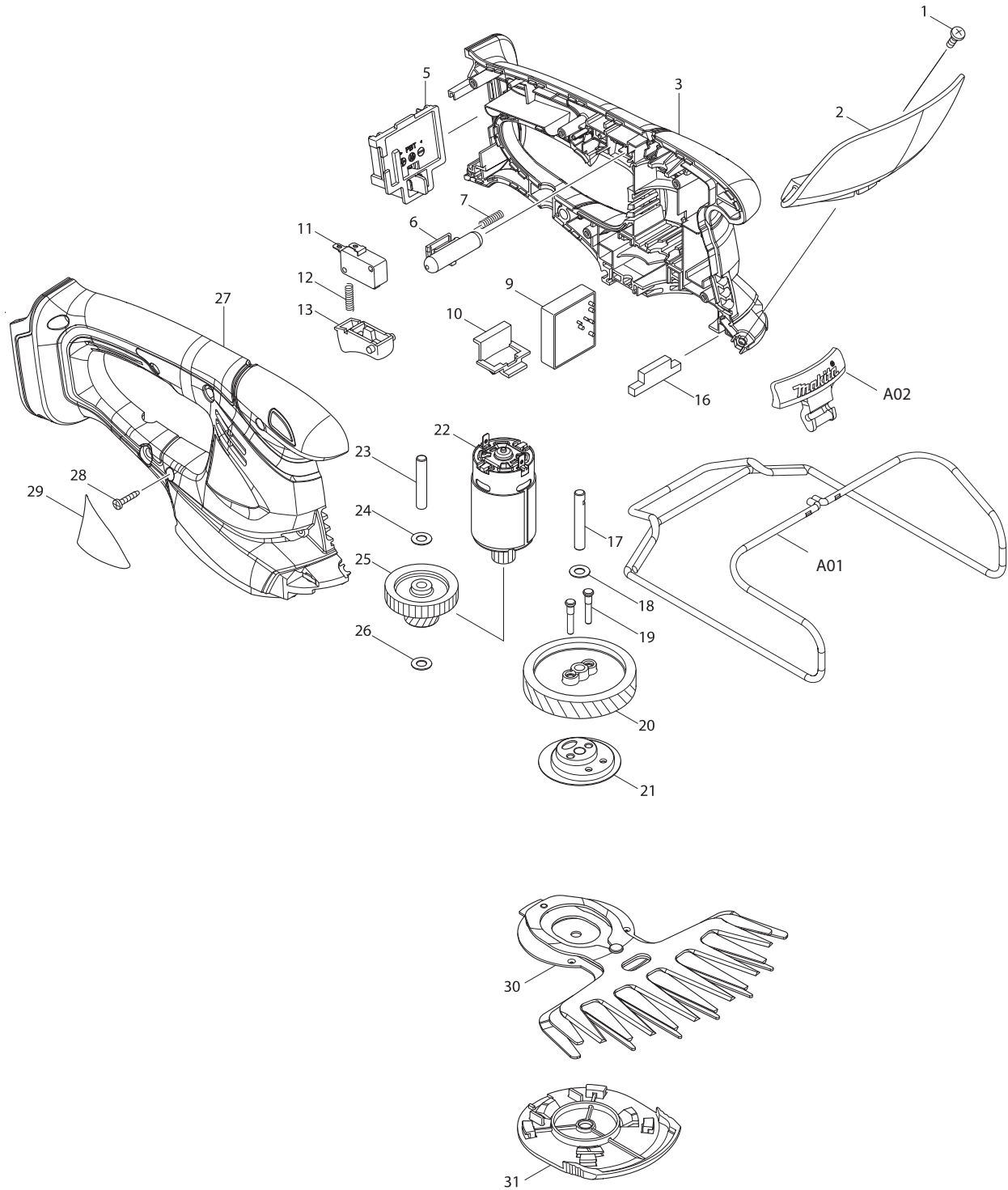




**XMU02**



Products with multiple versions are listed in subsiding order with the newest version on top not indented.

| Section | Fig. No. | Part No. | Description              | XMU02 | Tech Bulletin | Notes           |
|---------|----------|----------|--------------------------|-------|---------------|-----------------|
| 1       | 1        | 915116-7 | BINDING HEAD SCREW M4X12 | 1     |               |                 |
| 1       | 2        | 142739-0 | PROTECTOR COMPLETE       | 1     |               |                 |
| 1       | 3        | 187970-1 | HOUSING SET              | 1     |               | INC 27          |
| 1       |          | 931102-0 | HEX. NUT M4              | 1     |               | INC WITH FIG 3  |
| 1       |          | 346275-0 | PLATE                    | 2     |               | INC WITH FIG 3  |
| 1       |          | 263005-3 | RUBBER PIN 6             | 2     |               | INC WITH FIG 3  |
| 1       | 5        | 643852-2 | TERMINAL                 | 1     |               |                 |
| 1       | 6        | 452438-9 | LOCK OFF BUTTON          | 1     |               |                 |
| 1       | 7        | 231473-8 | COMPRESSION SPRING 4     | 1     |               |                 |
| 1       | 9        | 620119-5 | CONTROLLER               | 1     |               |                 |
| 1       | 10       | 451812-8 | LOCK LEVER               | 1     |               |                 |
| 1       | 11       | 651891-8 | SWITCH V-15-3A6          | 1     |               |                 |
| 1       | 12       | 231473-8 | COMPRESSION SPRING 4     | 1     |               |                 |
| 1       | 13       | 417564-1 | SWITCH LEVER             | 1     |               |                 |
| 1       | 16       | 451814-4 | DUST GUARD               | 1     |               |                 |
| 1       | 17       | 268254-7 | PIN 6                    | 1     |               |                 |
| 1       | 18       | 261122-3 | WASHER 6                 | 1     |               |                 |
| 1       | 19       | 268256-3 | PIN 4                    | 2     |               |                 |
| 1       | 20       | 227728-7 | HELICAL GEAR 47          | 1     |               |                 |
| 1       | 21       | 165609-6 | CRANK COMPLETE           | 1     |               |                 |
| 1       | 22       | 629943-3 | DC MOTOR                 | 1     |               |                 |
| 1       | 23       | 268076-5 | PIN 6                    | 1     |               |                 |
| 1       | 24       | 261122-3 | WASHER 6                 | 1     |               |                 |
| 1       | 25       | 226831-1 | GEAR 12-31               | 1     |               |                 |
| 1       | 26       | 261122-3 | WASHER 6                 | 1     |               |                 |
| 1       | 27       | 187970-1 | HOUSING SET              | 1     |               | INC 3           |
| 1       |          | 931102-0 | HEX. NUT M4              | 1     |               | INC WITH FIG 27 |
| 1       |          | 346275-0 | PLATE                    | 2     |               | INC WITH FIG 27 |
| 1       |          | 263005-3 | RUBBER PIN 6             | 2     |               | INC WITH FIG 27 |
| 1       | 28       | 266429-2 | TAPPING SCREW 3X16       | 6     |               |                 |
| 1       | 30       | 195267-4 | SHEAR BLADE ASSEMBLY SET | 1     |               |                 |
| 1       | 30       | 195176-7 | SHEAR BLADE ASSEMBLY SET | 1     |               |                 |
| 1       | 31       | 140451-6 | UNDER COVER COMPLETE     | 1     |               |                 |

Products with multiple versions are listed in subsiding order with the newest version on top not indented.

| Section | Fig. No. | Part No. | Description  | XMU02 | Tech Bulletin | Notes        |
|---------|----------|----------|--------------|-------|---------------|--------------|
| 1       | A01      | 326146-7 | BASE FRAME   | 1     |               |              |
| 1       | A02      | 451813-6 | CHANGE LEVER | 1     |               |              |
| 1       | A03      | 452055-5 | BLADE COVER  | 1     |               | NOT PICTURED |