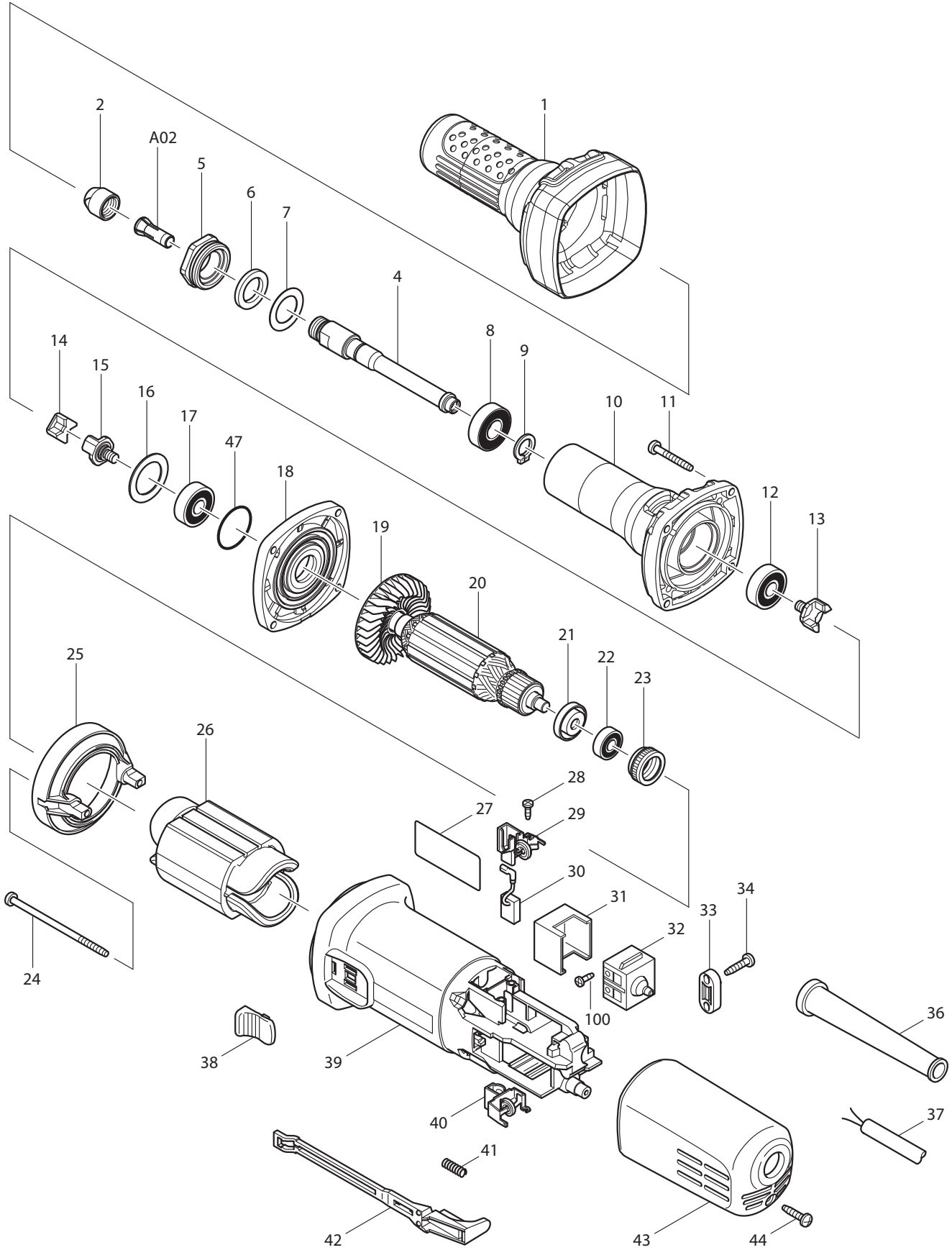




12 - 2010  
GD0601  
1/4" DIE GRINDER



Item No	Type	Ref	Part No	Description	Qty	Unit
1			421943-7	INSULATION COVER	1	PC.
2			763664-8	COLLET NUT 6	1	PC.
4			324638-0	SPINDLE	1	PC.
5			317999-5	BEARING RETAINER	1	PC.
6			443124-3	FELT RING 17	1	PC.
7			267329-9	FLAT WASHER 18	1	PC.
8			210106-8	BALL BEARING 6001LLB	1	PC.
9			961052-5	RETAINING RING S-12	1	PC.
10			318000-9	BARREL	1	PC.
11			266361-0	TAPPING SCREW 4X30	4	PC.
12			210042-8	BALL BEARING 629LLB	1	PC.
13			324639-8	COUPLING	1	PC.
14			421942-9	SPACER	1	PC.
15			324639-8	COUPLING	1	PC.
16			267126-3	FLAT WASHER 22	1	PC.
17			210042-8	BALL BEARING 629LLB	1	PC.
18			317821-6	GEAR HOUSING COVER	1	PC.
19			240076-7	FAN 56	1	PC.
20			515676-5	ARMATURE ASS'Y 115V	1	PC.
		INC.		Item No. 19, 21 & 22		
21			681636-0	INSULATION WASHER	1	PC.
22			210034-7	BALL BEARING 607LLB	1	PC.
23			421868-5	LABYRINTH RUBBER RING 19	1	PC.
24			266345-8	TAPPING SCREW 4X80	2	PC.
25			418770-1	BAFFLE PLATE	1	PC.
26			621721-7	FIELD 115V	1	PC.
27			814W49-0	NAME PLATE F/GD0601	1	PC.
28			266007-8	TAPPING SCREW BIND PT 3X10	4	PC.
29			643760-7	BRUSH HOLDER	1	PC.
30	1		194074-2	CARBON BRUSH CB-325(2PCS/SET) (W/O ORIGIN)	1	SET
	2		195001-2	CARBON BRUSH CB-325(2PCS/SET) (W/ ORIGIN)	1	SET
32	1		650561-6	SWITCH APB-2114, D	1	PC.
	2		650579-7	SWITCH 1246.3223	1	PC.
33			687123-7	STRAIN RELIEF	1	PC.
34			266326-2	TAPPING SCREW 4X18	2	PC.
36			682559-5	CORD GUARD 8	1	PC.
37			664891-9	CORD W/PLUG 2P-18-2.5M, SJO	1	PC.
38			419566-3	SWITCH KNOB	1	PC.
39			158548-7	MOTOR HOUSING COMPLETE	1	PC.
40			643760-7	BRUSH HOLDER	1	PC.
41			233121-5	COMPRESSION SPRING 4	1	PC.
42			418727-2	SWITCH LEVER	1	PC.
43			418726-4	REAR COVER	1	PC.
44			266326-2	TAPPING SCREW 4X18	1	PC.
47			213445-5	O-RING 26	1	PC.
100			652044-2	+BIND SCREW M3.5X5.0(FOR SWITCH)	2	PC.
101			654573-1	SPLICE(F/FIELD - SWITCH)	2	PC.

Item No	Type	Ref	Part No	Description	Qty	Unit
<b><u>ACCESSORIES</u></b>						
A01			781039-9	WRENCH 13	2	PC.
A02			763625-8	COLLET CONE 1/4"	1	PC.
	Opt.		763626-6	COLLET CONE 1/8"	1	PC.
A03			192985-5	SIDE HANDLE SET	1	SET
A04			741616-9	WHEEL POINT 4-19-60	1	PC.
			741617-7	WHEEL POINT 1-19-60	1	PC.
A05			794217-2	DRESSING STONE	1	PC.
A06			-----	<a href="#">ABRASIVE FLAP WHEELS</a>		