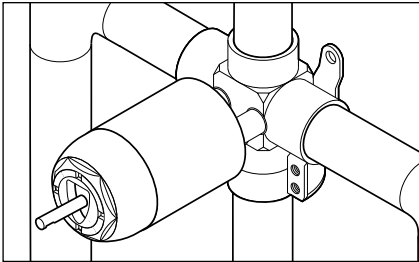
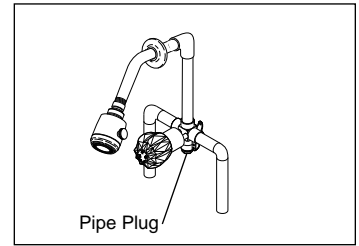
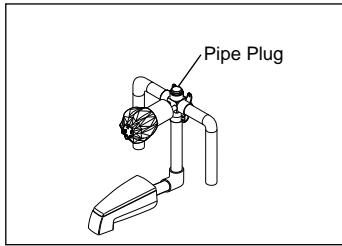
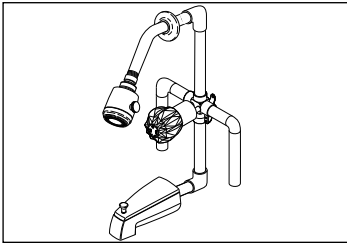


INSTALLATION STEPS

IMPORTANT: USE TEFLON® TAPE ON ALL THREADED CONNECTIONS

Before you start, study the recommended valve configurations on stringers or framing: (A) Tub and Shower, (B) Tub Only, (C) Shower only. The threaded parts in the valve body are 1/2" (12.700mm) iron pipe size. With proper adapters, you can connect to copper.

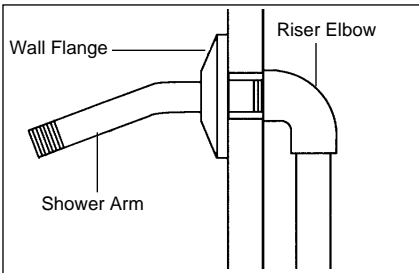


STEP 1.

Install valve. See options on page 3.

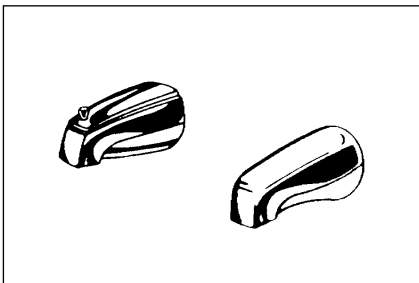
If you are making tub installation only, plug top outlet of valve (refer to illustration B). If you are making shower installation only, plug bottom outlet of valve (refer to illustration C).

Connect hot and cold supply lines to left and right inlets in valve body. Left inlet is hot and right inlet is cold. (Iron pipe connections are shown; copper pipe may be used with adapters.)



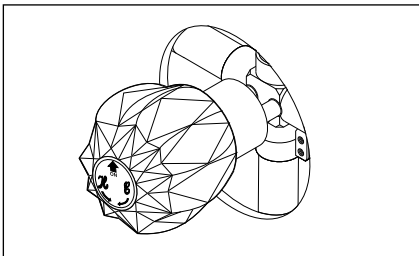
STEP 2.

If you are installing a model with showerhead, connect top outlet to shower arm with proper fittings. To prevent damage to finish on shower arm, insert wall end of shower arm into shower arm flange before screwing arm into riser connection. Adjust flange.



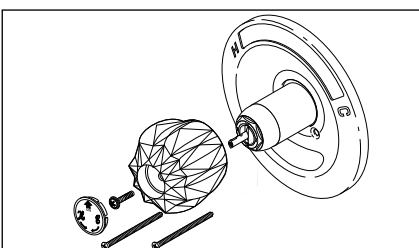
STEP 3.

If you are installing a model with tub spout, piping between valve body and tub spout must be a minimum of 5/8" O.D. copper pipe or 1/2" iron pipe in a straight drop no more than 18" long with only one iron pipe or copper 90 degree elbow to the spout nipple.



STEP 4.

Important: After connections have been made (remove showerhead on shower only models), place handle on valve stem and turn handle to full on mixed position. Turn on water supplies, check for leaks and let lines flush for one minute without moving valve handle. This will remove debris from line which can damage internal parts of valve and create leaks. After flushing shut off water at faucet.

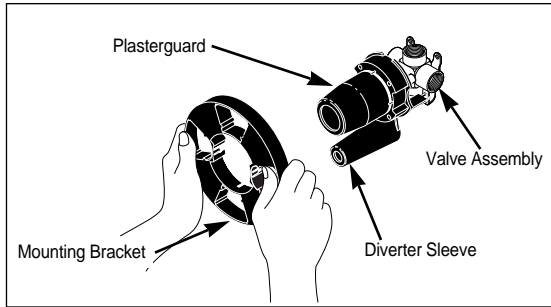


STEP 5.

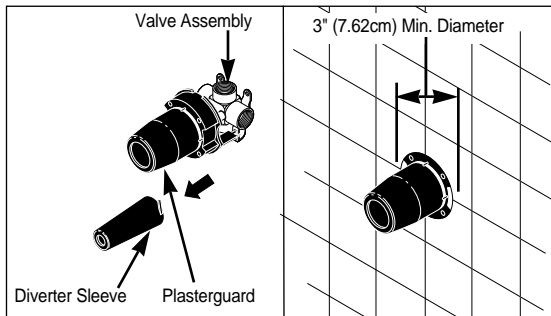
Remove handle and attach escutcheon with screws provided. Replace handle. Attach showerhead to shower arm.

IMPORTANT:

PLASTERGUARD—CONVENTIONAL INSTALLATION INSTRUCTIONS

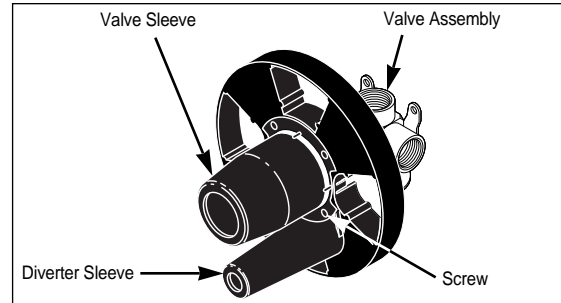


- NOTE:** MOUNTING BRACKET CAN BE REMOVED FOR CUTTING SMALLER HOLE IN FINISHED WALL. Take hold of the mounting bracket by placing both hands at the sides as shown above. Gently pull the mounting bracket from the plasterguard, snaps will disengage the two parts. Discard mounting bracket.

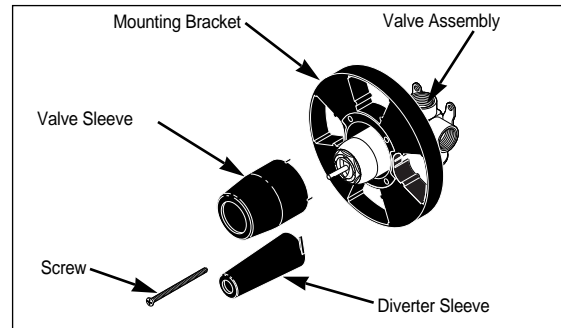


- Break or cut diverter sleeve from plasterguard and discard. Finished wall can be cut to a 3" (7.62mm) minimum diameter.

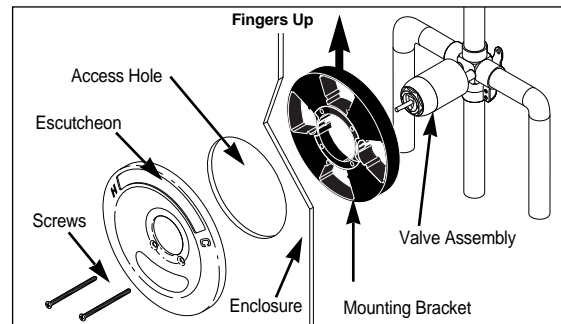
MOUNTING BRACKET INSTRUCTIONS FOR FIBERGLASS, METAL AND PLASTIC ENCLOSURES 1/8" TO 7/8" THICK



- Break or cut valve sleeve and diverter sleeve from mounting bracket. Remove screw that attaches the mounting bracket to valve and discard.



- Remove mounting bracket for valve roughing-in.



- After valve rough-in has been completed, slide mounting bracket over valve with the two protruding fingers on the top section of the mounting bracket as shown and leave in place. Cut access hole in enclosure (5" maximum diameter), and install enclosure. Mount escutcheon by securing finished screws through escutcheon, access hole, and adapter to valve.