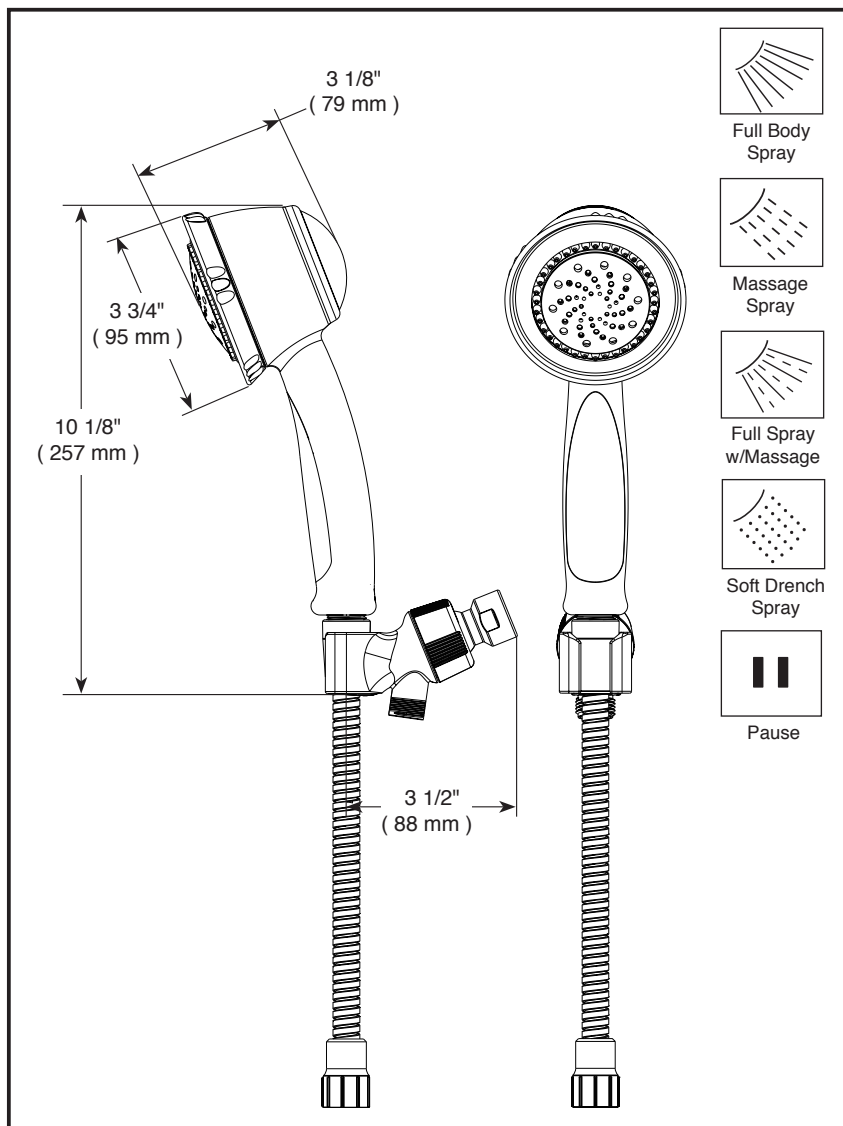


75522 ▲

Submitted Model No.: _____

Specific Features: _____



▲ Designate Proper Finish Suffix



see what Delta can do™

SHOWER HEAD

■ 5-Spray Setting Arm Mount Shower Head

FEATURES:

- Touch-Clean® Nozzles

STANDARD SPECIFICATIONS

- Max flow rate 2.0 gpm @ 80 psi, 7.6 L/min @ 550 kPa
- 72" (1829 mm) Ultra Flex hose feature vacuum breaker
- Adjustable shower arm mounting for hand-free showering
- Easy-turn spray dial

WARRANTY

- Parts and Finish - Lifetime limited warranty; or for commercial purchasers, 10 years for multi-family residential (apartments and condominiums) and 5 years for all other commercial uses, in each case from the date of purchase.
- Electronic Parts and Batteries (if applicable) - 5 years from the date of purchase; or for commercial purchasers, 1 year from the date of purchase. No warranty is provided on batteries.



COMPLIES WITH:

- ASME A112.18.1 / CSA B125.1
- Indicates compliance to ICC/ANSI A117.1
- EPA WaterSense®

Delta reserves the right (1) to make changes in specifications and materials, and (2) to change or discontinue models, both without notice or obligation. Dimensions are for reference only. See current full-line price book or www.deltafaucet.com for finish options and product availability.

DSP-B-75522 Rev. A

Delta Faucet Company

55 E. 111th Street, Indianapolis, IN 46280
350 South Edgevare Road, St. Thomas, ON N5P 4L1
© 2019 Delta Faucet Company