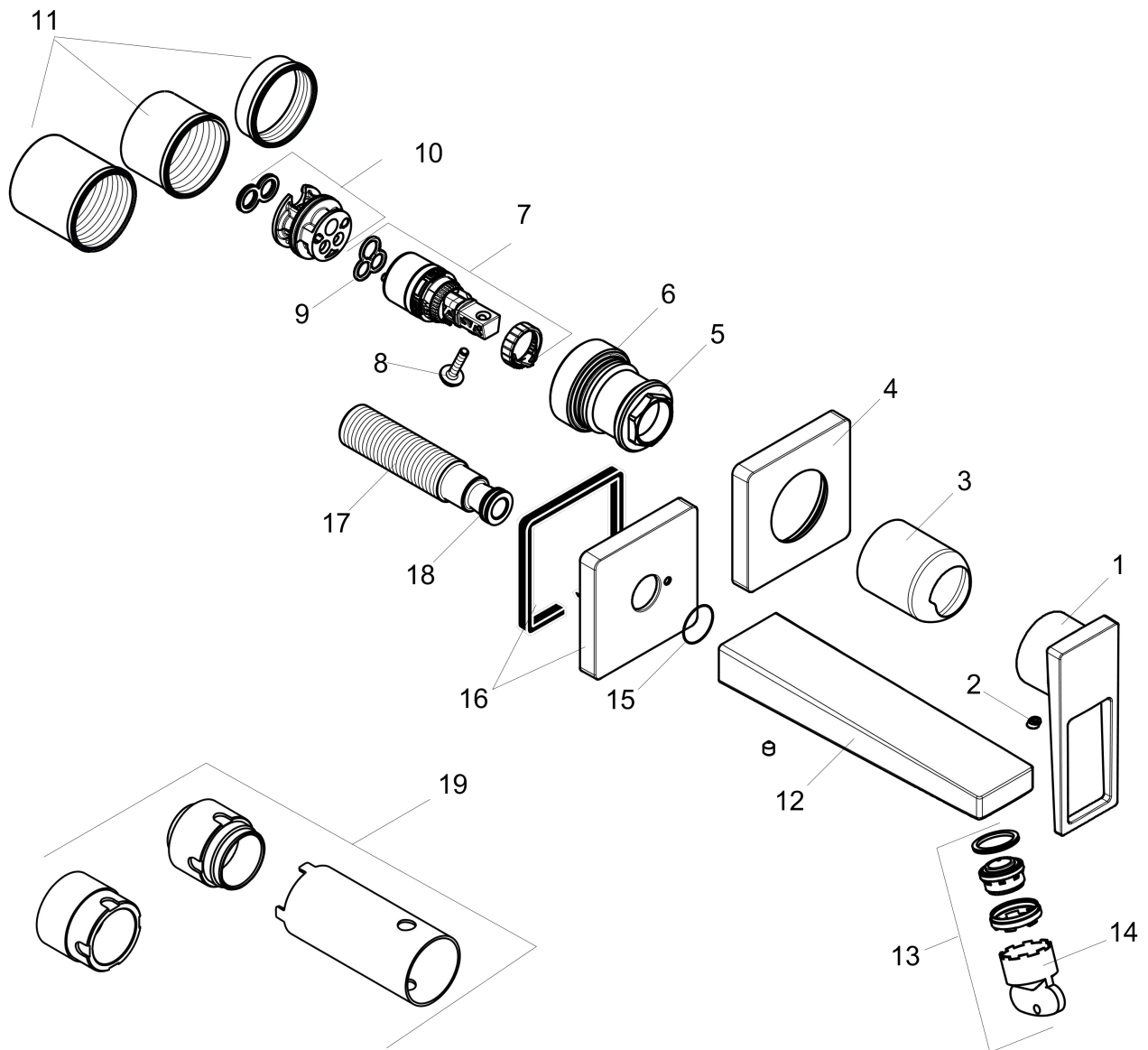


Metropol
Wall-Mounted Single-Handle Faucet Trim with Loop Handle, 1.2 GPM
 Finishes : **chrome** Part no. : **74526001**



Exploded drawing

Year of production: >01/18



Metropol**Wall-Mounted Single-Handle Faucet Trim with Loop Handle, 1.2 GPM**Finishes : **chrome** Part no. : **74526001****Spare parts list**

Year of production: >01/18

| Pos. | Description | Part no. | Price | PU |
|-------------|----------------------------------|-----------------|--------------|-----------|
| 1 | handle | 93164000 | - | 1 |
| 2 | screw cover | 96338000 | - | 1 |
| 3 | sleeve | 93053000 | - | 1 |
| 4 | escutcheon for handle | 93161000 | - | 1 |
| 5 | nut | 93141000 | - | 1 |
| 6 | O-ring 26x2 | 98147000 | - | 1 |
| 7 | cartridge, assy | 95973001 | - | 1 |
| 8 | locking screw for handle | 95140000 | - | 1 |
| 9 | seal | 98865000 | - | 1 |
| 10 | adapter for cartridge | 95634000 | - | 1 |
| 11 | fixing set | 97971000 | - | 1 |
| 12 | spout 225 mm | 93166000 | - | 1 |
| 13 | aerator M24x1 (4,5 l/min) | 93202000 | - | 1 |
| 14 | service tool | 95661000 | - | 1 |
| 15 | O-ring 18x1,5 | 98231000 | - | 1 |
| 16 | escutcheon for spout | 93162000 | - | 1 |
| 17 | connecting thread G½ | 95626000 | - | 1 |
| 18 | O-ring 13x2 | 98128000 | - | 1 |
| 19 | extension set 25 mm for 13622180 | 31971000 | - | 1 |