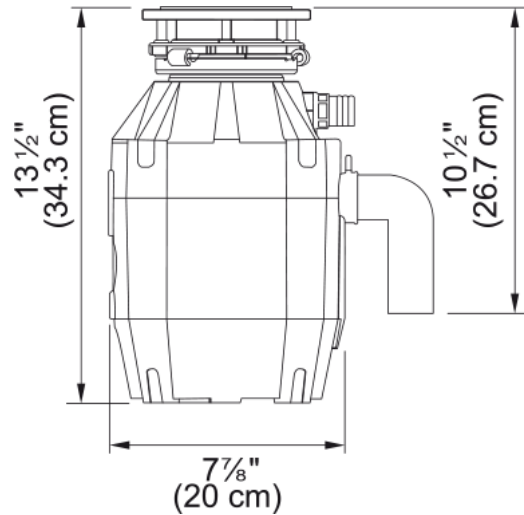


# 1/2 HP Food Waste Disposer - FWDJ50 | 134.0482.018



## Technical Data

### Aspect

Product type Food waste disposer

### Energy specifications

Voltage 120 V

### Product identification

Product brand FRANKE

Product family Maris

Collection Disposer

### Features

Horsepower 1/2 HP

Motor speed 2600.0

Waste disposer motor type Permanent magnet

Feed type Continuous