



SERVICE PARTS LIST

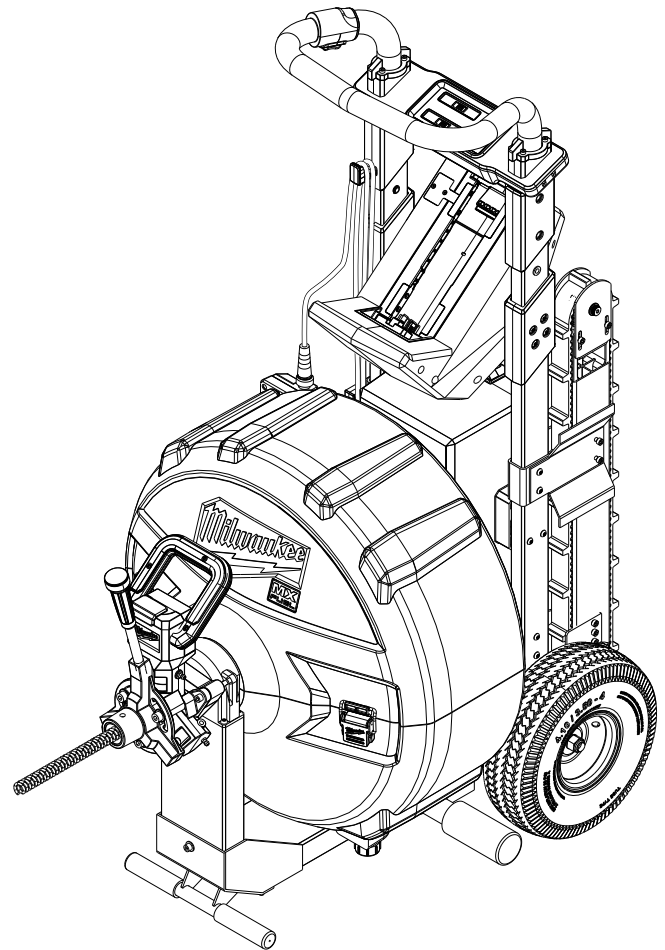
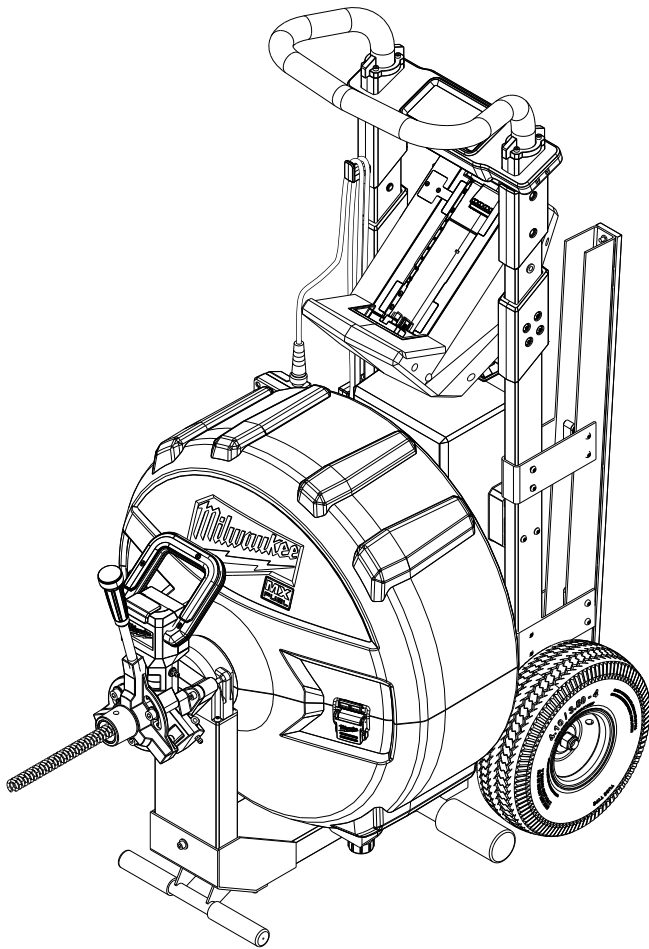
BULLETIN NO.
54-QC-9010

SPECIFY CATALOG NO. AND SERIAL NO. WHEN ORDERING PARTS		REVISED BULLETIN	DATE
MX FUEL™ Drum Machine			Jan. 2021
CATALOG NO. MXF500/MXF501	SERIAL NUMBER K32A/K33A	WIRING INSTRUCTION	

EXAMPLE:

00	0
----	---

 Component Parts (Small #) Are Included
 When Ordering The Assembly (Large #).



PART NO.	DESCRIPTION OF PART	NO. REQ.
12-20-0362	Service Nameplate (MXF500)	(1)
12-20-0362	Service Nameplate (MXF501)	(1)
47-53-5001	Cable Pilot Tube Assembly (Accessory)	(1)

Service for Milwaukee Tool MX FUEL Products
 Please Call: 1-833-953-2010